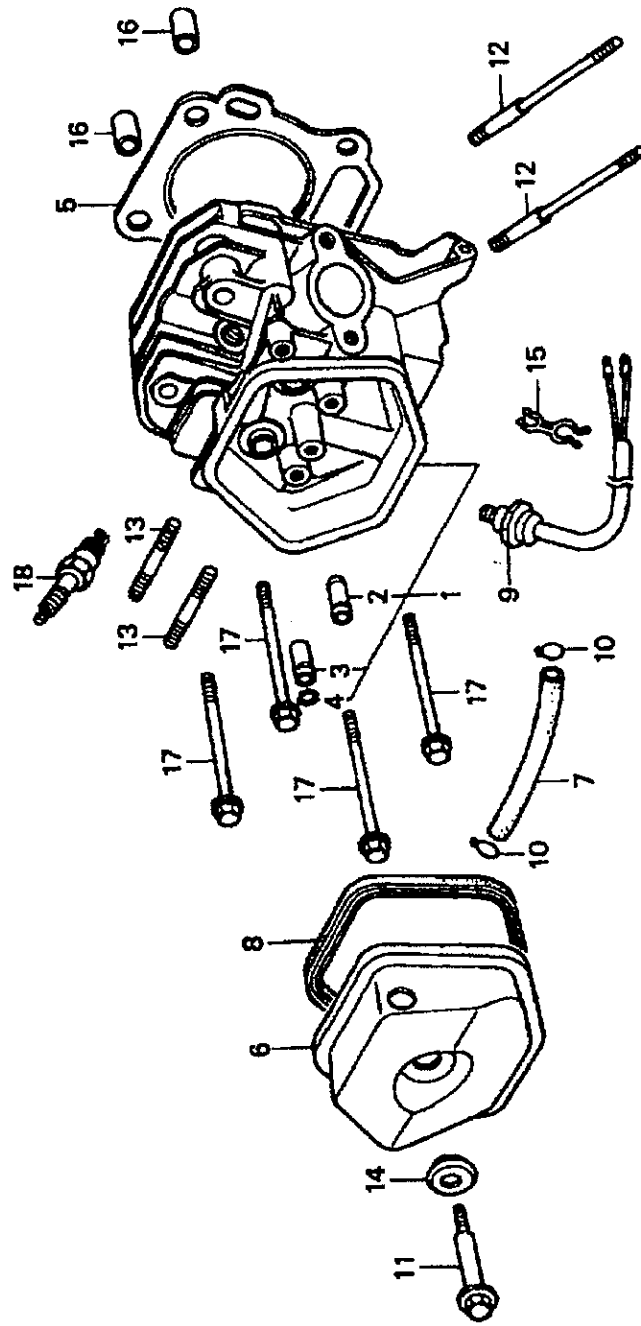
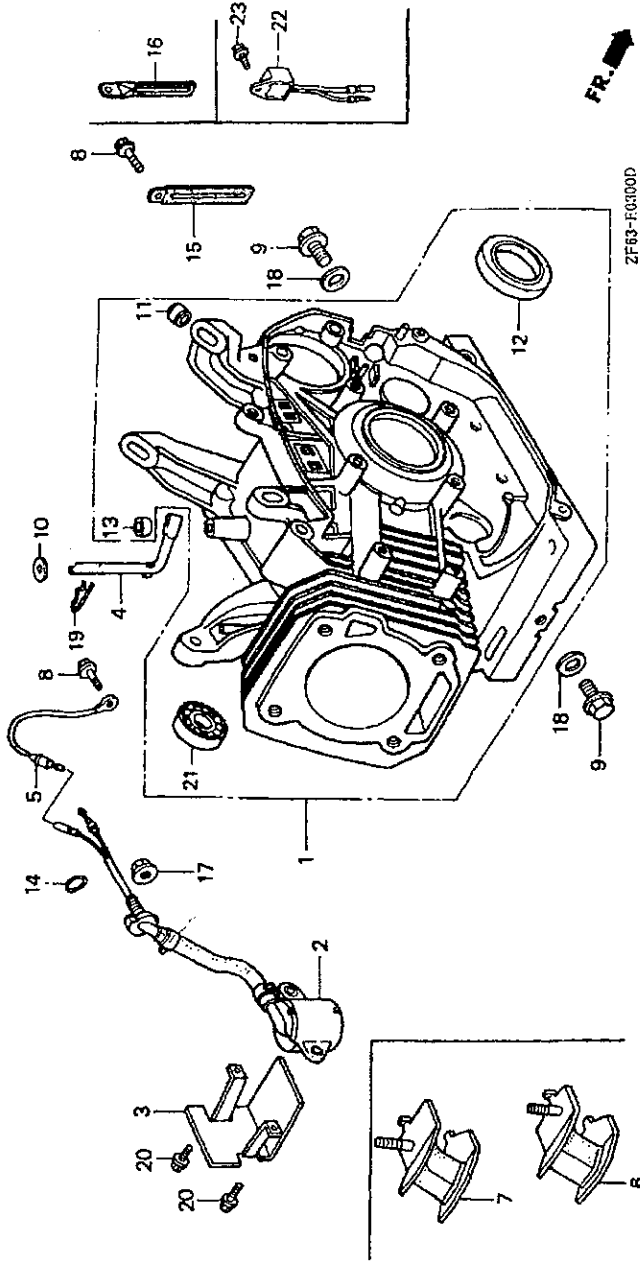


[NEW SELECTION]

POS.	REF-NO.	Description	Engine No.	GX
			up to	390
				K1<1>
	1	HEAD COMP., CYLINDER		1
	2	GUIDE, IN. VALVE <O.S.>		
	3	GUIDE, EX. VALVE <O.S.>		
	4	CLIP, VALVE GUIDE		1
	5	GASKET, CYLINDER HEAD		1
	6	COVER COMP., HEAD		1
	7	TUBE, 11X105, <95005-11001-30M>		1
	8	PACKING, HEAD COVER		1
	11	BOLT, HEAD COVER		1
	12	BOLT, STUD, 8X131.5		2
	13	BOLT, STUD, 8X47	2638033	2
		EXHAUST STUD BROKEN AFTER 2ND COUNTERMEASURE		
		EXHAUST STUD BROKEN AFTER 2ND COUNTERMEASURE		
	13	BOLT, STUD, 8X32	2638034	2
	14	WASHER COMP., HEAD COVER		1
	16	PIN, DOWEL, 12X20		2
	17	BOLT, FLANGE, 10X80		4
	18	PLUG, SPARK <BPRGES NGK>		1
	18	PLUG, SPARK <W20EPR-U DENSO>		1
	18	SPARK PLUG <BPR JES NGK>		1

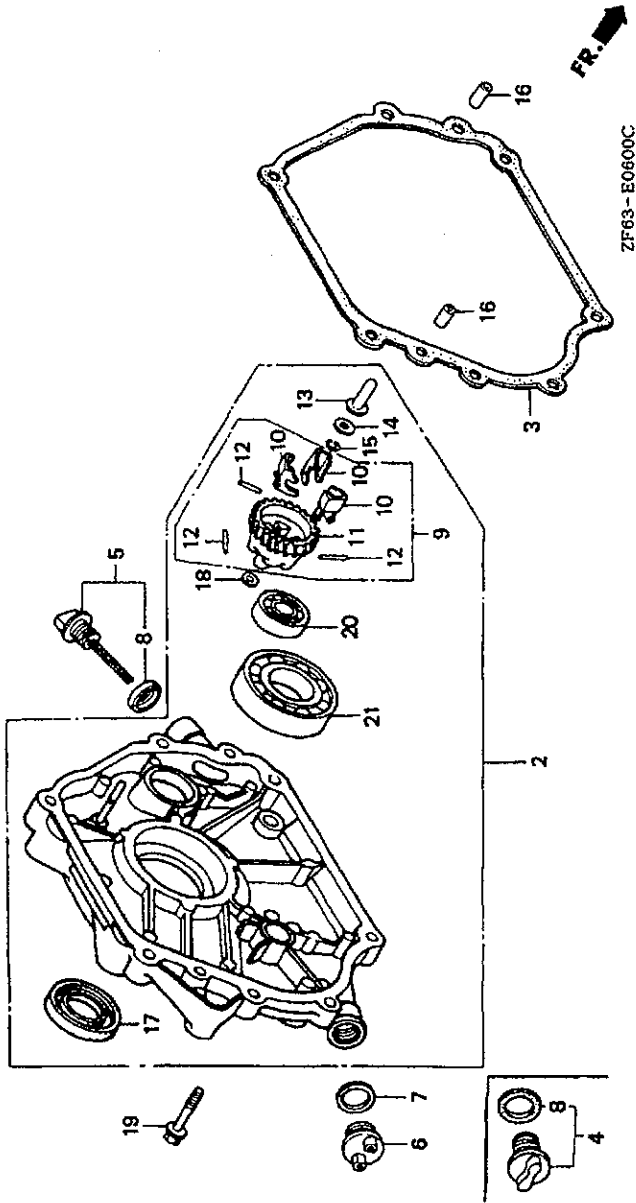


- | 18 | 98079-55855 | PLUG, SPARK <W16PR-U DENSO>
- | 18 | 98079-55841 | PLUG, SPARK <BPSES NGK>



[NEW SELECTION]

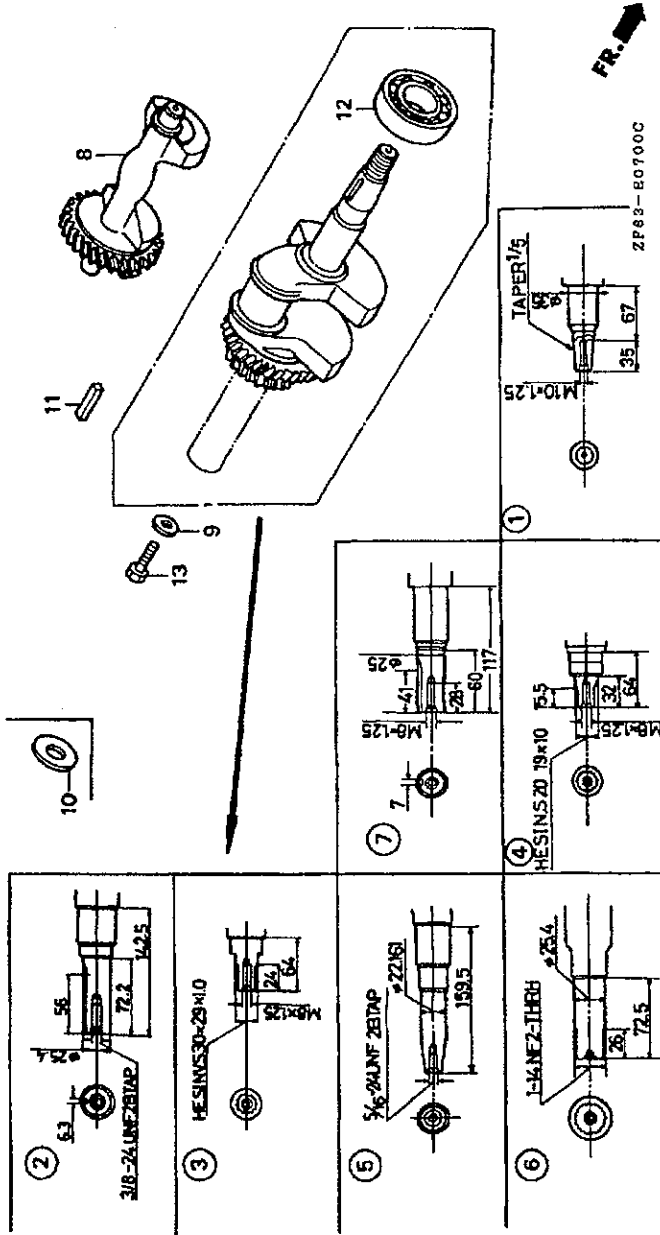
POS. REF.-NO.	Description	Engine No.		GX
		up	to	
1 12000-ZF6-405	BARREL ASSY, CYLINDER			1
2 15510-ZE2-023	SWITCH ASSY., OIL LEVEL	2334667	2334667	1
2 15510-ZE2-033	SWITCH ASSY., OIL LEVEL	2456575	2456575	1
2 15510-ZE2-043	SWITCH ASSY., OIL LEVEL			1
4 16541-ZE3-010	SHAFT, GOVERNOR ARM			1
5 32197-ZE2-003	SUB HARNESS			1
8 90013-883-000	BOLT FLANGE, 6X12 <CT200>	2334667	2334667	1
9 90131-883-000	BOLT, DRAIN PLUG			2
10 90446-KE1-000	WASHER, 8.2X17X0.8			1
12 91201-ZE3-004	OIL SEAL, 35X52X8			1
13 91203-952-771	OIL SEAL, 8X14X5			1
14 91353-671-004	O-RING, 14MM <NOK>			1
17 94050-10000	NUT, FLANGE, 10MM			1
18 94109-12000	WASHER, DRAIN PLUG, 12MM			2
19 94251-10000	PIN, LOCK, 10MM			1
20 95701-06012-00	BOLT, FLANGE, 6X12			2
21 96100-62020-00	BEARING, RADIAL BALL, 6202			1



(1)

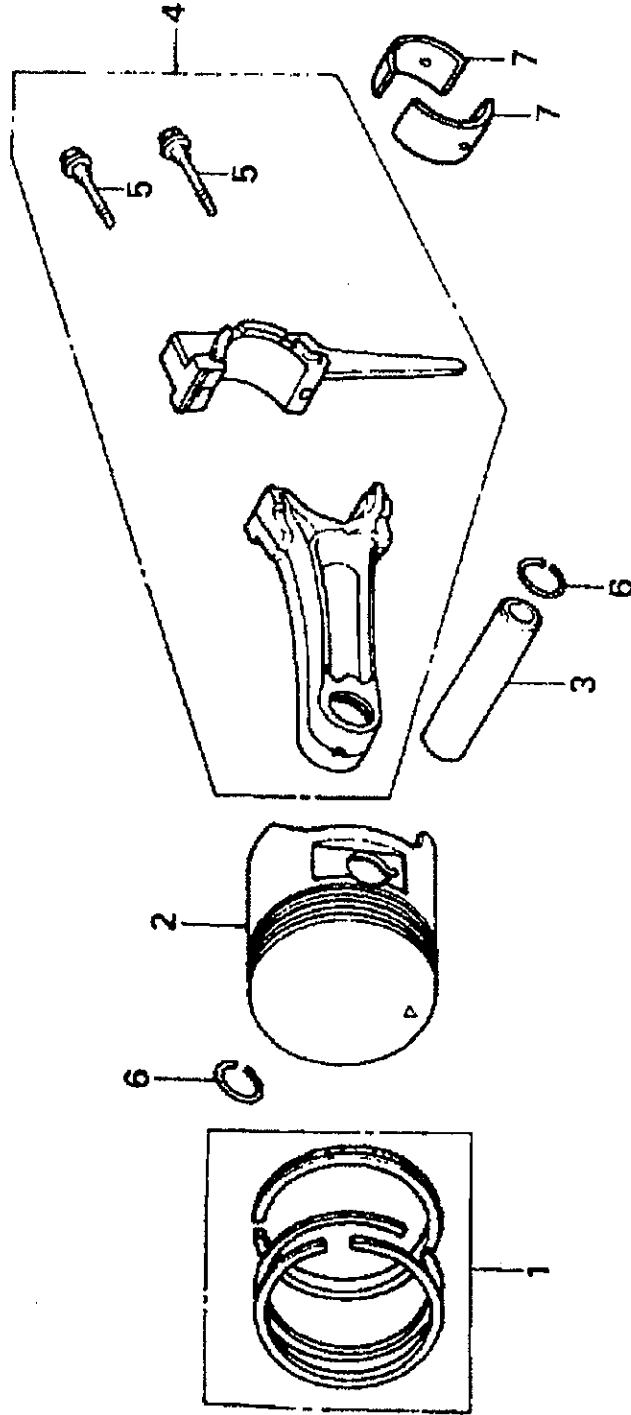
[NEW SELECTION]

POS. REF.-NO.	Description	Engine No.		Gx
		up	to	
2	COVER ASSY., CRANKCASE			1
✓ 3	PACKING, CASE COVER			390
✓ 4	CAP ASSY., OIL FILLER			K1<1>
✓ 5	CAP ASSY., OIL FILLER			1
✓ 8	PACKING, OIL FILLER CAP			1
✓ 9	GOVERNOR ASSY.			2
10	WEIGHT, GOVERNOR			1
11	HOLDER, GOVERNOR WEIGHT			3
12	PIN, GOVERNOR WEIGHT			1
13	SLIDER, GOVERNOR			3
15	CLIP, GOV. HOLDER			1
16	PIN, DOWEL, 8X12			1
✓ 17	OIL SEAL, 35X52X8			2
18	WASHER, FLAIN, 6MM			1
19	BOLT, FLANGE, 8X40			7
20	BEARING, RADIAL BALL, 6202			1
21	BEARING, RADIAL BALL, 6207			1



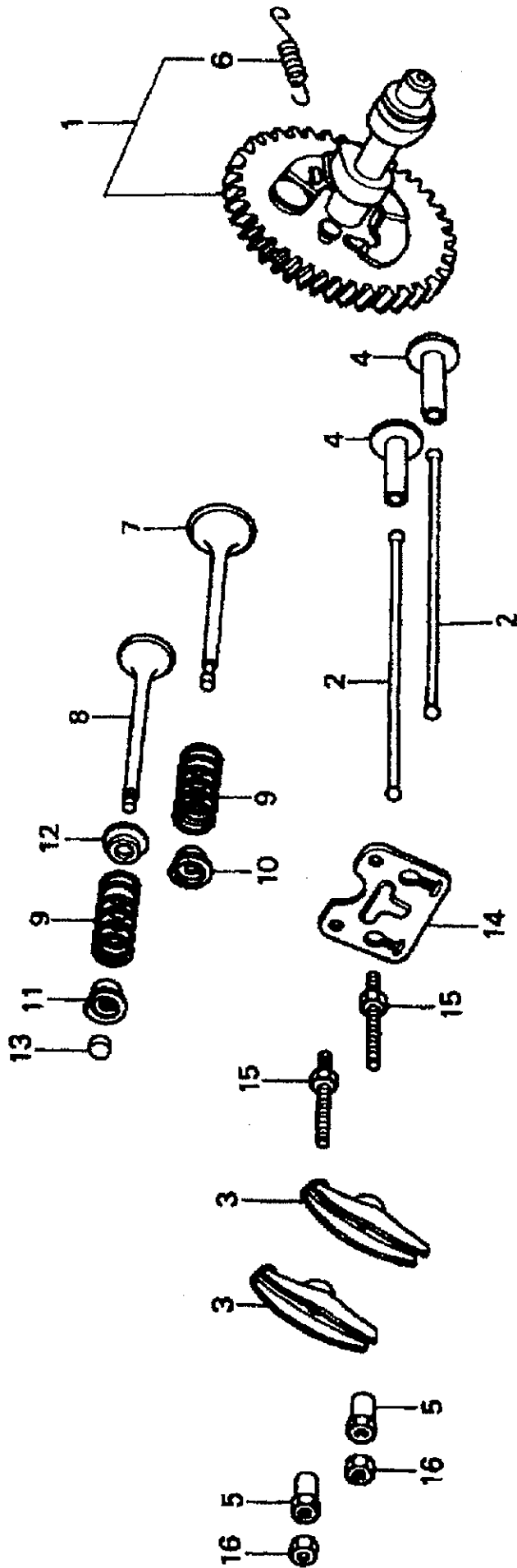
[NEW SELECTION]

POS.	REF-NO.	Description	Engine No.	GX
			up to	
✓ 7	13310-ZF6-W70	CRANKSHAFT COMP.		390
8	13351-ZB3-010	WEIGHT, BALANCER		K1<1>
10	90534-706-010	WASHER, LOCK, 8MM		1
✓ 11	90741-805-000	KEY, 7X7X33		1
11	90741-889-810	KEY, 7X7X33 <YELLOW>		1
12	91001-ZF6-003	BEARING, RADIAL BALL, 6207S		1
13	92101-08025-0A	BOLT, HEX., 8X25		1



[NEW SELECTION]

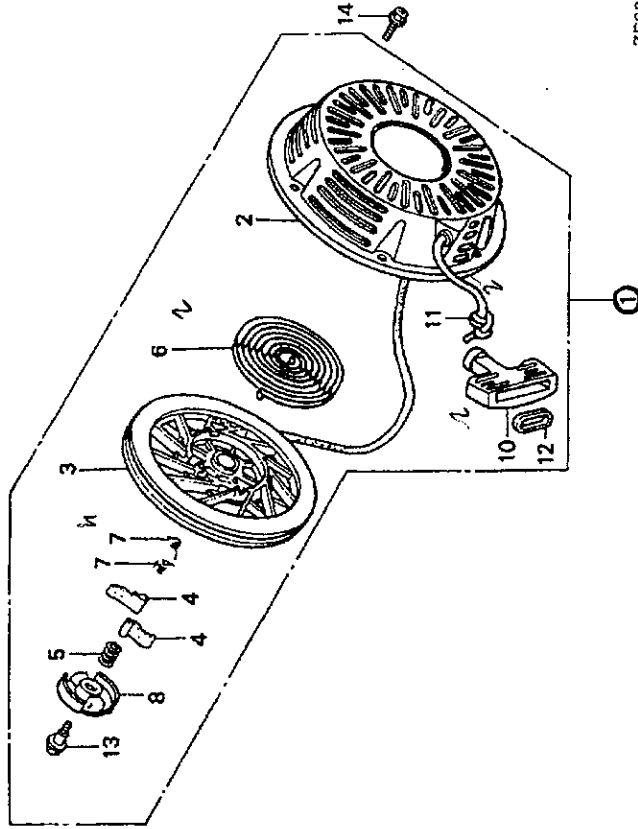
POS. REF-NO.	Description	Engine No.		GX
		up	to	
√ 1 13010-ZF6-003	RING SET, PISTON <STD.> , <NIPPON>			1
1 13010-ZF6-005	RING SET, PISTON <STD.> , <TEIKOKU>			1
1 13011-ZF6-003	RING SET, PISTON <0.25> , <NIPPON>			
1 13011-ZF6-005	RING SET, PISTON <0.25> , <TEIKOKU>			
1 13012-ZF6-003	RING SET, PISTON <0.50> , <NIPPON>			
1 13012-ZF6-005	RING SET, PISTON <0.50> , <TEIKOKU>			
1 13013-ZF6-003	RING SET, PISTON <0.75> , <NIPPON>			
1 13013-ZF6-005	RING SET, PISTON <0.75> , <TEIKOKU>			
2 13101-ZF6-W00	PISTON <STD.>			1
2 13102-ZF6-W00	PISTON <0.25>			
2 13103-ZF6-W00	PISTON <0.50>			
2 13104-ZF6-W00	PISTON <0.75>			
3 13111-ZF6-W00	PIN, PISTON			1
√ 4 13200-ZE3-010	ROD ASSY., CONNECTING <STD.>			1
√ 4 13200-ZE3-315	ROD ASSY., CONNECTING, <0.25 UNDER SIZE>			
5 90001-ZE8-000	BOLT, CONNECTING ROD			2
6 90601-ZE3-000	CLIP, PISTON PIN, 20MM			2



[NEW SELECTION]

POS.	REF-NO.	Description	Engine No. up to	to	GX 390 K1<1>
1	14100-ZF6-W00	CAMSHAFT ASSY.		2391939	1
1	14100-ZF6-W01	CAMSHAFT ASSY.			1
✓ 2	14410-ZE3-013	ROD, PUSH	2391940		2
3	14431-ZE2-010	ARM, VALVE ROCKER			2
4	14441-ZE2-000	LIFTER, VALVE			2
5	14451-ZE1-013	PIVOT, ROCKER ARM			2
6	14568-ZE1-000	SPRING, WEIGHT RETURN			1
✓ 7	14711-ZE3-000	VALVE, IN.			1
✓ 8	14721-ZE3-000	VALVE, EX.			1
9	14751-ZE2-003	SPRING, VALVE			2
10	14771-ZE2-000	RETAINER, IN. VALVE SPRING			1
11	14773-ZE2-000	RETAINER, EX. VALVE SPRING			1
12	14775-ZE2-010	SEAT, VALVE SPRING			1
✓ 13	14781-ZE2-000	ROTATOR, VALVE			1
14	14791-ZE2-010	PLATE, PUSH ROD GUIDE			1
✓ 15	90012-ZE0-010	BOLT, PIVOT, 8MM			2
✓ 16	90206-ZE1-000	NUT, PIVOT ADJUSTING			2

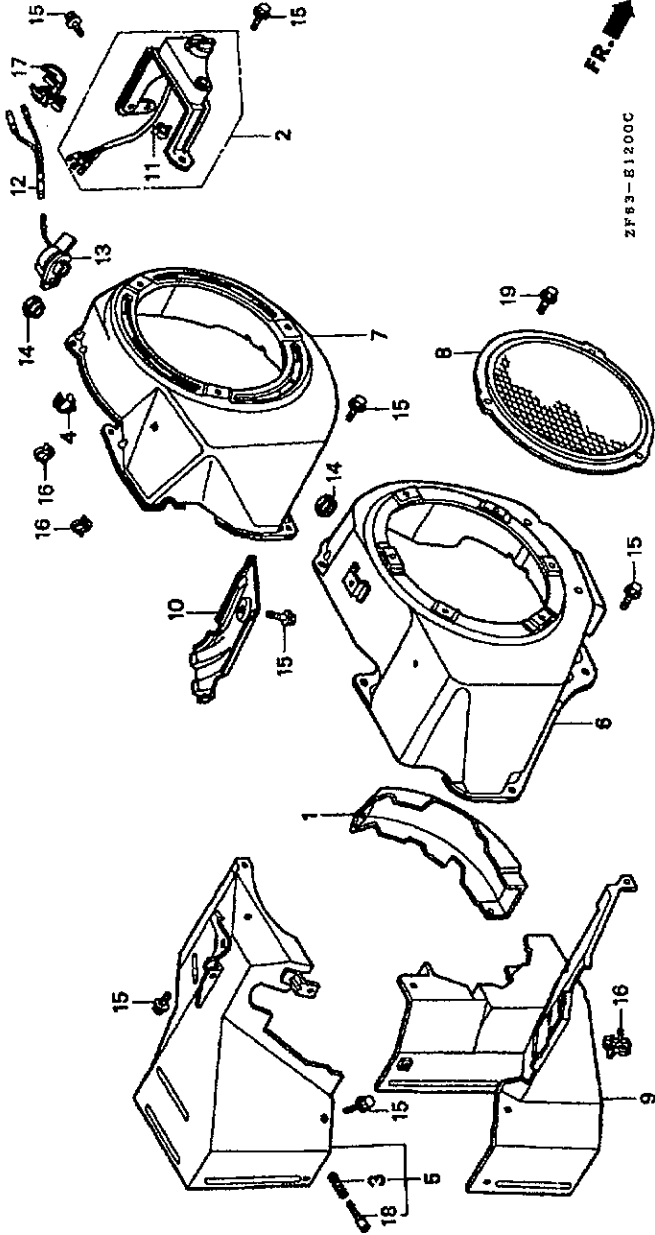
12209 ZE8 M9 VANT. VACA THV.



ZF63-E1100B

[NEW SELECTION]

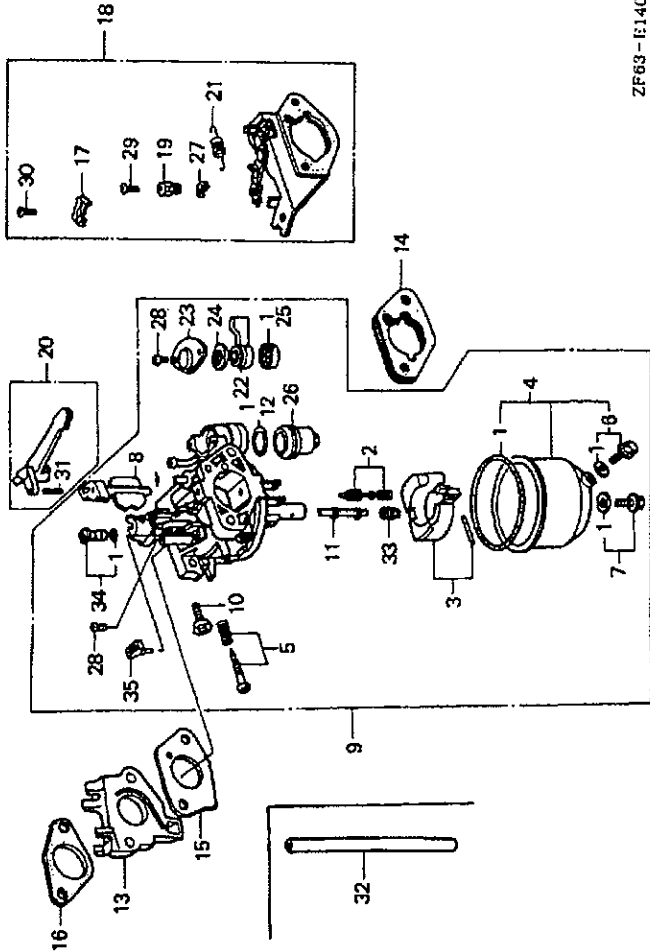
POS.	REF-NO.	Description	Engine No. up	to	GX
✓ 1	128400-ZE3-W01ZA	STARTER ASSY., RECOIL, *R8*, BRIGHT RED			1
2	128410-ZE3-W01ZA	CASE COMP., RECOIL STARTER, *R8*, BRIGHT RED			390
3	128421-ZE3-W01	PULLEY, RECOIL STARTER			K1<1>
✓ 4	128422-ZE2-W01	RATCHET, STARTER			1
✓ 5	128441-ZE2-W01	SPRING, FRICTION			2
✓ 6	128442-ZE2-W01	SPRING, STARTER RETURN			1
✓ 7	128443-ZE2-W01	SPRING, RATCHET $\frac{7}{8}$			2
✓ 8	128444-ZE2-W01	RETAINER, SPRING		2584635	1
✓ 9	128461-ZE2-W01	GRIP, STARTER	2584636		1
✓ 10	128461-ZE2-W02	GRIP, STARTER			1
✓ 11	128462-ZE3-W01	ROPE, RECOIL STARTER			1
12	128469-ZE2-W01	GRIP, REINFORCEMENT		2584635	1
13	190004-ZE2-W01	SCREW, CENTER			1
✓ 14	195701-06008-00	BOLT, FLANGE, 6X8			3



ZF53-81200C

[NEW SELECTION]

POS. REF-NO.	Description	Engine No. up to	GX 390 K1<1>
4	16731-ZE2-003 CLIP, TUBE		1
7	19610-ZE3-010ZA COVER COMP., FAN, *R8*, BRIGHT RED		1
10	19631-ZE3-W00 SHROUD		1
15	90013-883-000 BOLT FLANGE, 6X12 <CT200>		6

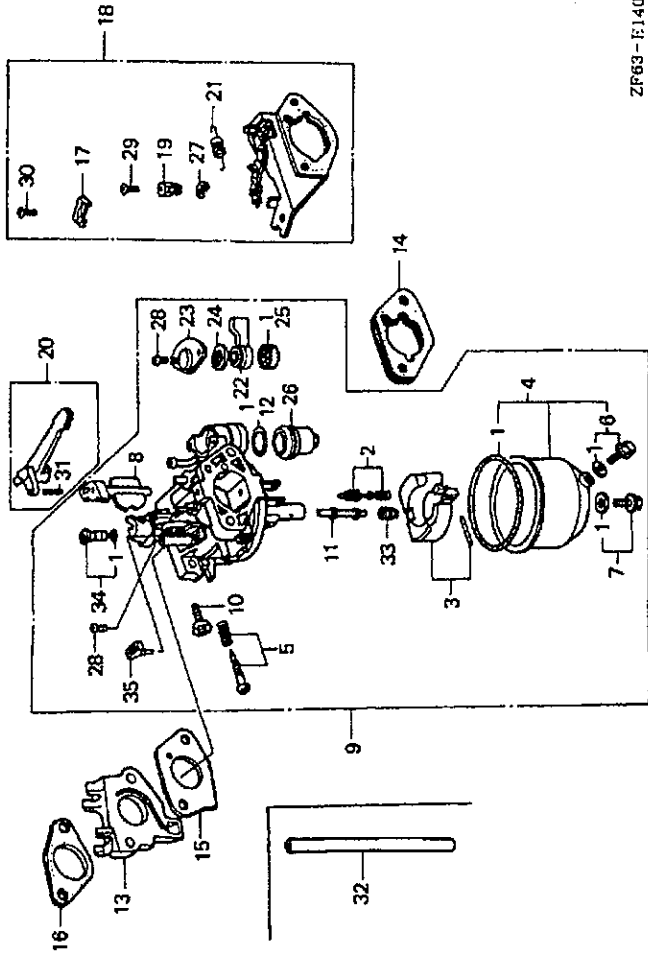


ZF63-E1400C

(1)

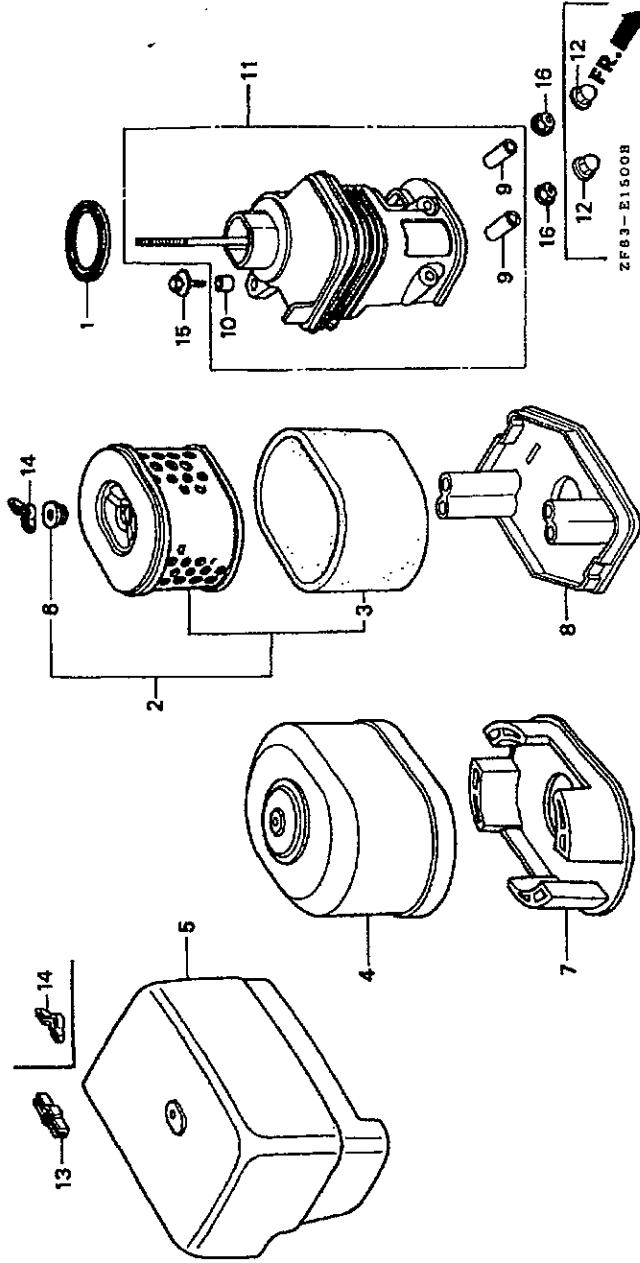
[NEW SELECTION]

POS.	REF-NO.	Description	Engine No.		GX
			up	to	
1	16010-ZE2-812	GASKET SET			1
✓ 2	16011-ZA0-931	VALVE SET, FLOAT			390
✓ 3	16013-ZA0-931	FLOAT SET			K1<1>
4	16015-ZE2-005	CHAMBER SET, FLOAT	BE48B A		1
✓ 4	16015-ZE8-005	CHAMBER SET, FLOAT	BE48B B		1
✓ 5	16016-ZE0-005	SCREW SET, PILOT	BE48B B		1
✓ 5	16016-ZH7-W01	SCREW SET, PILOT	BE85B B		1
6	16024-ZE1-811	SCREW SET, DRAIN			1
7	16028-ZE0-005	SCREW SET			1
8	16044-ZE3-W20	CHOKE SET			1
✓ 9	16100-ZF6-W30	CARBURETOR ASSY. <BE48B A>		2254363	1
✓ 9	16100-ZF6-W31	CARBURETOR ASSY. <BE48B B>		2658574	1
✓ 9	16100-ZF6-V01	CARBURETOR ASSY. <BE85B B>		2658575	1
10	16124-ZE0-005	SCREW THROTTLE, SET			1
11	16166-ZF6-W20	NOZZLE, MAIN	BE49A B		1
11	16166-ZF6-V00	NOZZLE, MAIN			1
✓ 12	16173-001-004	PACKING, FUEL STRAINER CUP	BE85C B		1
✓ 13	16211-ZF6-000	INSULATOR, CARBURETOR			1
✓ 14	16220-ZA0-702	SPACER COMP., CARBURETOR			1
✓ 15	16221-ZF6-800	PACKING, CARBURETOR 64413			1
✓ 16	16223-ZE3-W00	PACKING, INSULATOR 64422			1
17	16576-891-000	HOLDER, CABLE			1



ZF63-E1400C

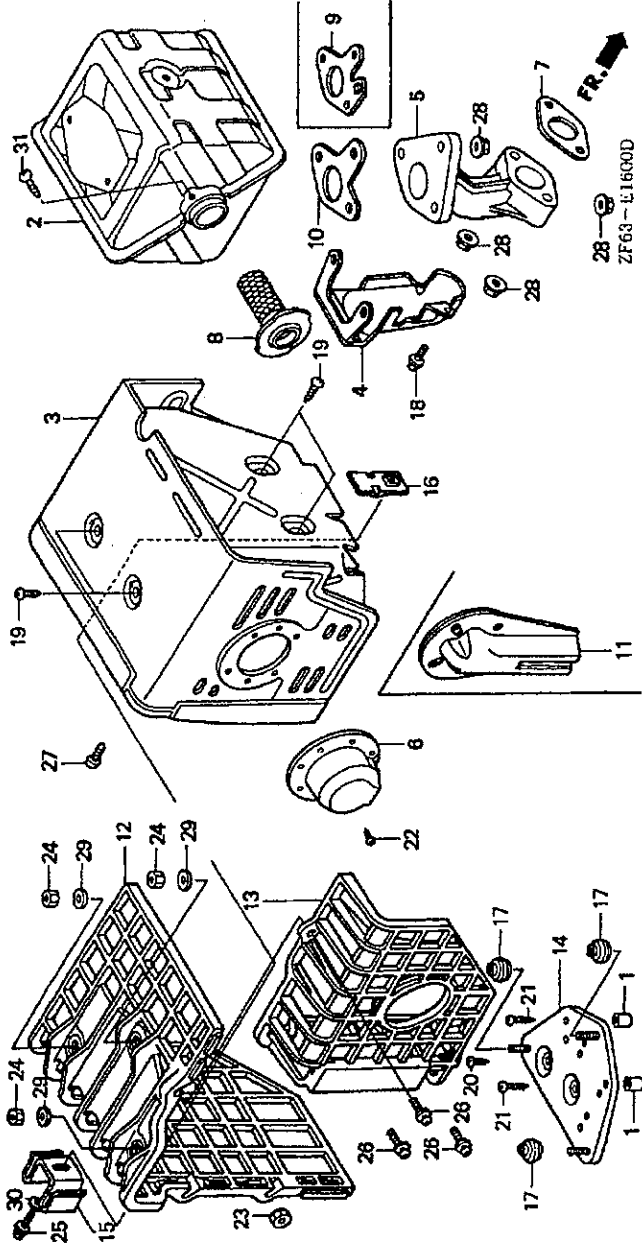
18	16590-ZE2-812	STAY ASSY., CHOKE CONTROL, <REMOTE>		1
19	16584-883-010	HOLDER, WIRE		1
✓ 20	16610-ZE1-000	LEVER COMP., CHOKE <STD.>	2256142	1
21	16615-ZE2-810	SPRING, RETURN		1
22	16953-ZE1-811	LEVER, COCK	BE48B B	1
22	16953-ZE1-812	LEVER, COCK		1
23	16954-ZE1-811	PLATE, LEVER SETTING		1
24	16956-ZE1-811	SPRING, COCK LEVER		1
25	16957-ZE1-812	PACKING, FUEL COCK		1
26	16967-ZE0-811	CUP, FUEL STRAINER		1
27	90605-230-000	CIRCLIP, 5MM		1
28	93500-03008-1G	SCREW, PAN, 3X8		3
28	93500-03006-1H	SCREW, PAN, 3X6	BE48B B	3
28	93500-03006-1H	SCREW, PAN, 3X6	BE49A B	3
28	93500-03006-1H	SCREW, PAN, 3X6		2
29	93500-04006-0H	SCREW, PAN, 4X6	BE85C B	1
30	93893-05016-00	SCREW-WASHER, 5X16		1
31	94305-20122	PIN, SPRING, 2X12	2256142	1
✓ 33	99101-ZH8-1020	JET, MAIN, #102	BE48B B	1
33	99101-ZH8-1050	JET, MAIN, #105	BE48B B	1
33	99101-ZH8-0880	JET, MAIN, #88	BE85B B	1
33	99101-ZH8-0900	JET, MAIN, #90	BE85B B	1
33	99101-ZH8-0920	JET, MAIN, #92	BE85B B	1
33	99101-ZH8-1000	JET, MAIN, #100	BE48B B	1
34	99204-ZE0-0400	JET SET, PILOT, #40	BE48B A	1
34	99204-ZA0-0400	JET SET, PILOT, #40	BE48B B	1
34	99204-ZA0-0450	JET SET, PILOT, #45	BE85B B	1
35	16172-ZE3-W10	COLLAR SET	BE85B B	1



(SILENT)

[NEW SELECTION]

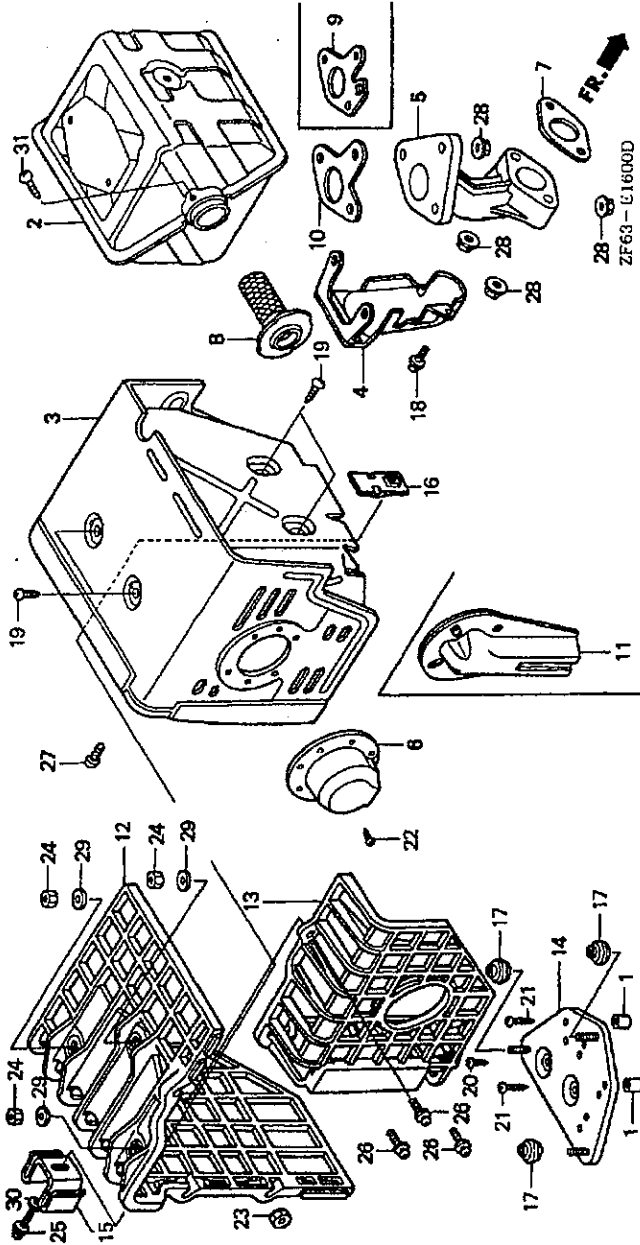
POS. REF-NO.	Description	Engine No.	up	to	GX
1	116271-ZE2-000				390
V 2	17210-ZE3-010				K1<1>
3	17218-ZE3-000				
5	17231-ZE3-W00				
6	17232-891-000				
8	17235-ZH9-N00				
9	17238-ZE2-310				
10	17239-ZE1-000				
11	17410-ZH9-N00				
✓ 14	90325-044-000				
15	93404-06020-08				
16	94050-06000				



(1)

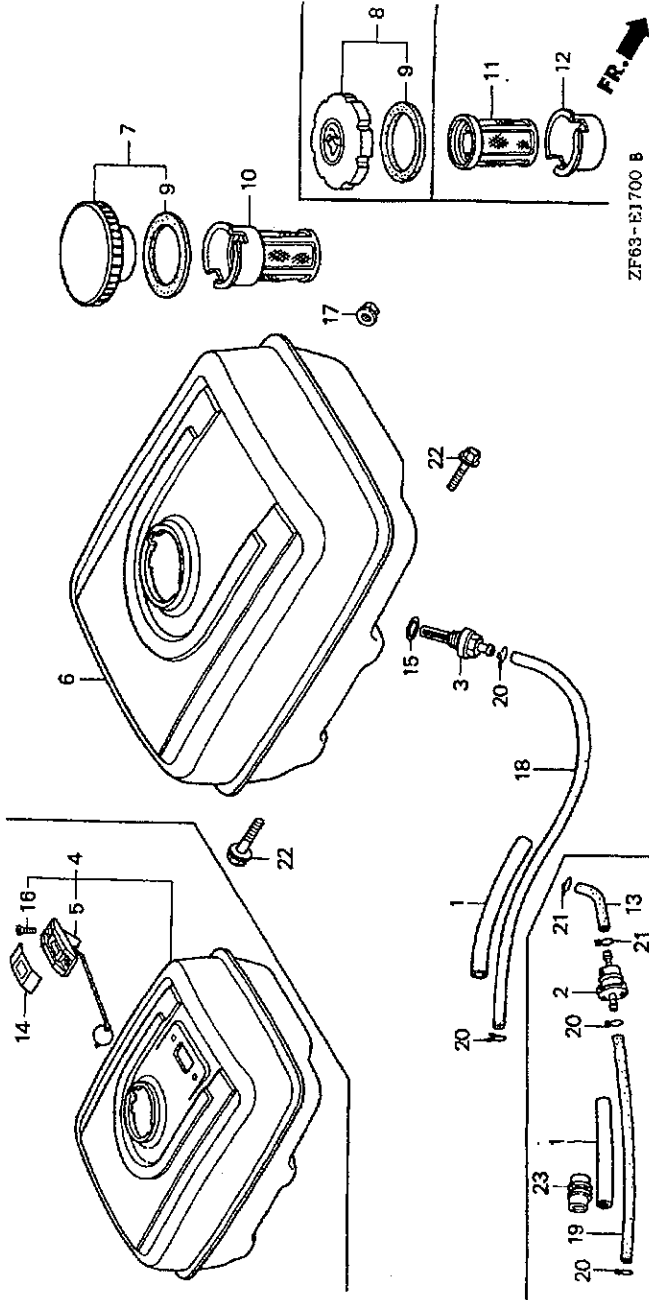
[NEW SELECTION]

POS. REF-NO.	Description	Engine No.		GX
		up	to	
1 17233-896-701	COLLAR, AIR CLEANER CASE			
✓ 2 18310-ZE2-W60	MUFFLER COMP. <100DB> EXHAUST STUD BROKEN AFTER 2ND COUNTERMEASURE		2638033	1
✓ 2 18310-ZE2-W61	EXHAUST STUD BROKEN AFTER 2ND COUNTERMEASURE			1
✓ 3 18320-ZE2-W61	MUFFLER COMP. <100DB>✓ PROTECTOR COMP., MUFFLER PIPE, EX.	2638034		1
✓ 5 18330-ZE2-W00	GASKET, EX. PIPE		2275744	1
✓ 7 18333-ZE3-800	GASKET, EX. PIPE <WACKER>		2638033	1
7 18333-ZK6-Y00	EXHAUST STUD BROKEN AFTER 2ND COUNTERMEASURE	2275745		1
7 18333-ZF6-W01	EXHAUST STUD BROKEN AFTER 2ND COUNTERMEASURE			1
✓ 8 18355-ZE2-W00	GASKET, EX. PIPE	2638034		1
✓ 9 18381-ZE2-W10	ARRESTER, SPARK			1
12 18433-ZF6-W40	GASKET, MUFFLER <ARRESTER>			1
13 18434-ZF6-W40	COVER COMP., MUFFLER			1
14 18436-ZH8-W40	COVER COMP., RR. MUFFLER			1
15 18437-ZF6-W40	BASE COMP., MUFFLER COVER STAY, MUFFLER COVER			1



- 16 | 18438-ZF6-W40 | PLATE, SET
- 17 | 18466-ZH8-W40 | SPACER, MUFFLER COVER
- 19 | 90050-ZE1-000 | SCREW, TAPPING, 5X8
- 21 | 90050-ZH8-W40 | SCREW, TAPPING, 5X25
- 23 | 90301-782-000 | NUT, U, 6MM
- 24 | 90302-KF9-900 | NUT, HEX., 5MM
- 25 | 93891-05012-00 | SCREW-WASHER, 5X12
- 26 | 93891-06020-07 | SCREW-WASHER, 6X20
- 27 | 90006-ZE2-000 | SCREW, TAPPING, 6X10
- 28 | 94050-08000 | NUT, FLANGE, 8MM
- 29 | 94103-05700 | WASHER, PLAIN, 5MM
- 30 | 94111-05000 | WASHER, SPRING, 5MM
- 31 | 90050-ZE1-000 | SCREW, TAPPING, 5X8

5	1	5	1
---	---	---	---



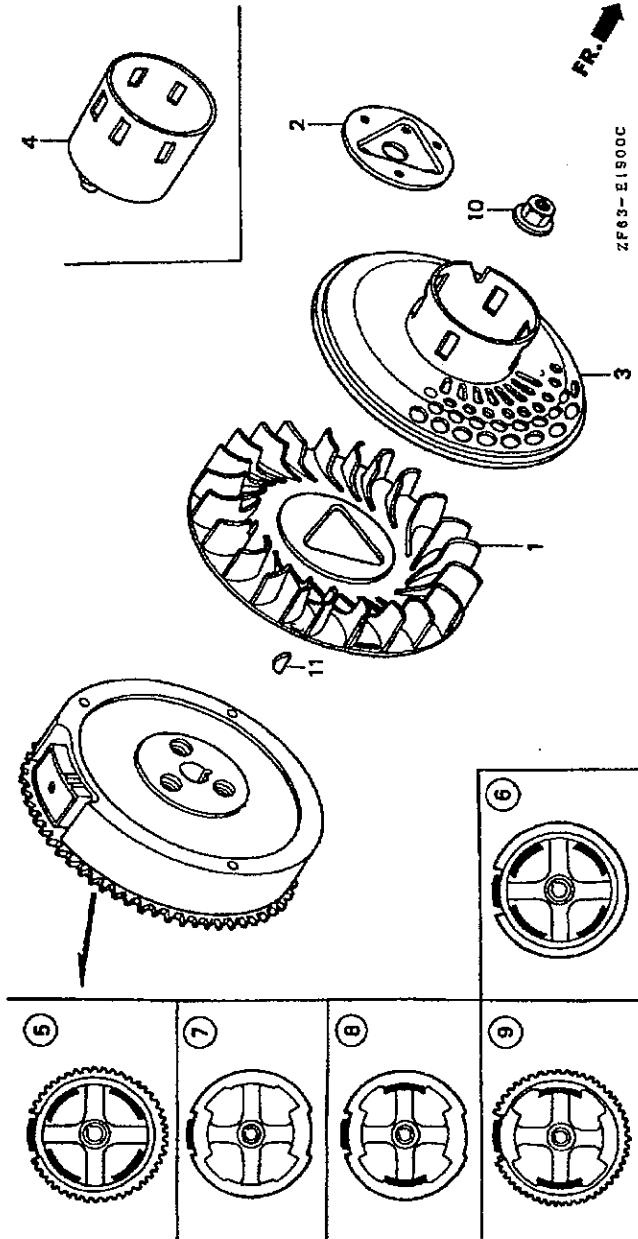
ZF63-EJ700 B



(1)

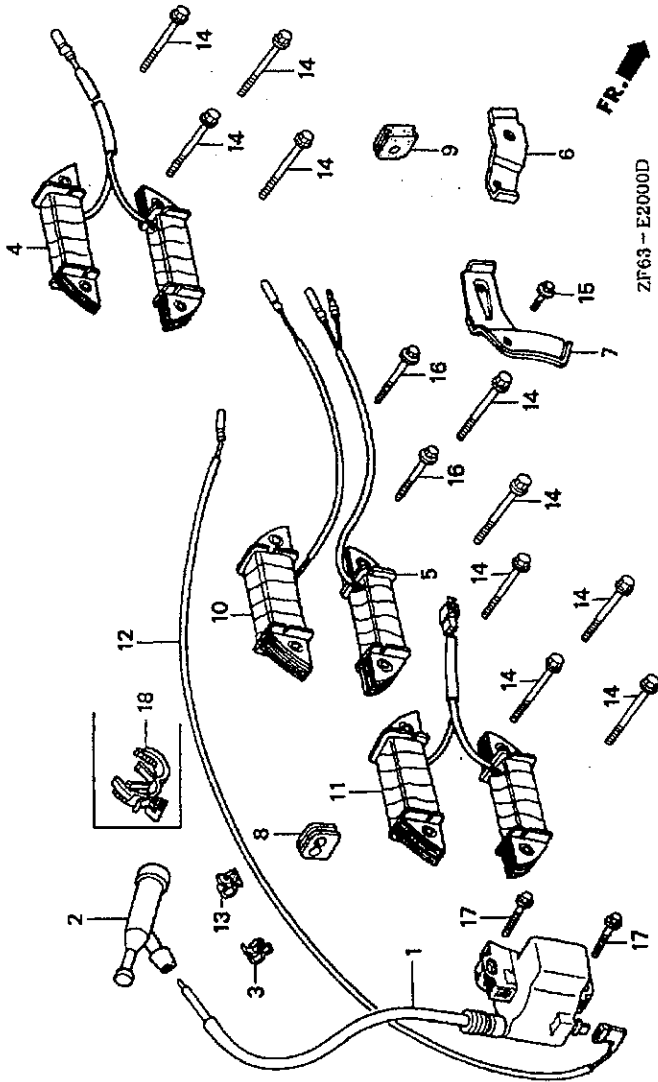
[NEW SELECTION]

POS.	REF-NO.	Description	Engine No.	GX
			up	390
			to	K1<1>
1	16854-ZH8-000	RUBBER, SUPPORTER <107MM>		1
3	16955-ZE1-000	JOINT, FUEL TANK		1
✓	4 17500-ZE3-811ZA	TANK ASSY., FUEL <GAUGE>, *NH31*, MCKINLEY WHITE		1
5	17505-ZE2-013	GAUGE ASSY., FUEL		1
8	17620-ZH7-013	CAP COMP., FUEL FILLER	2336191	1
✓	8 17620-ZH7-023	CAP COMP., FUEL FILLER		1
9	17631-ZH7-003	PACKING, FUEL FILLER CAP		1
10	17672-ZE2-W01	FILTER, FUEL		1
14	87565-ZE2-A01	MARK, FUEL <INTERNAL>		1
15	91353-671-004	O-RING, 14MM <NOK>		1
16	93600-05010-0A	SCREW, FLAT, 5X10		2
17	94050-08000	NUT, FLANGE, BMW		2
18	95001-45235-40	TUBE, FUEL, 4.5X235, <95001-45001-60M>		1
20	95002-02080	CLIP FB, TUBE		2
22	95701-08025-00	BOLT, FLANGE, 8X25		2



[NEW SELECTION]

POS.	REF-NO.	Description	Engine No.		GX
			up	to	
✓ 11	19511-ZE3-000	FAN, COOLING			1
✓ 3	28450-ZE3-W11	PULLEY COMP., STARTER, <SCREEN GRID>			1
✓ 5	31100-ZE3-W01	FLYWHEEL COMP. <4 POLE>			1
10	90201-ZE3-790	NUT, SPECIAL, 16MM		2263434	1
✓ 10	90201-ZE3-V00	NUT, SPECIAL, 16MM			1
✓ 11	90741-ZE2-000	KEY, SPECIAL WOODRUFF, 25X1.8		2263435	1



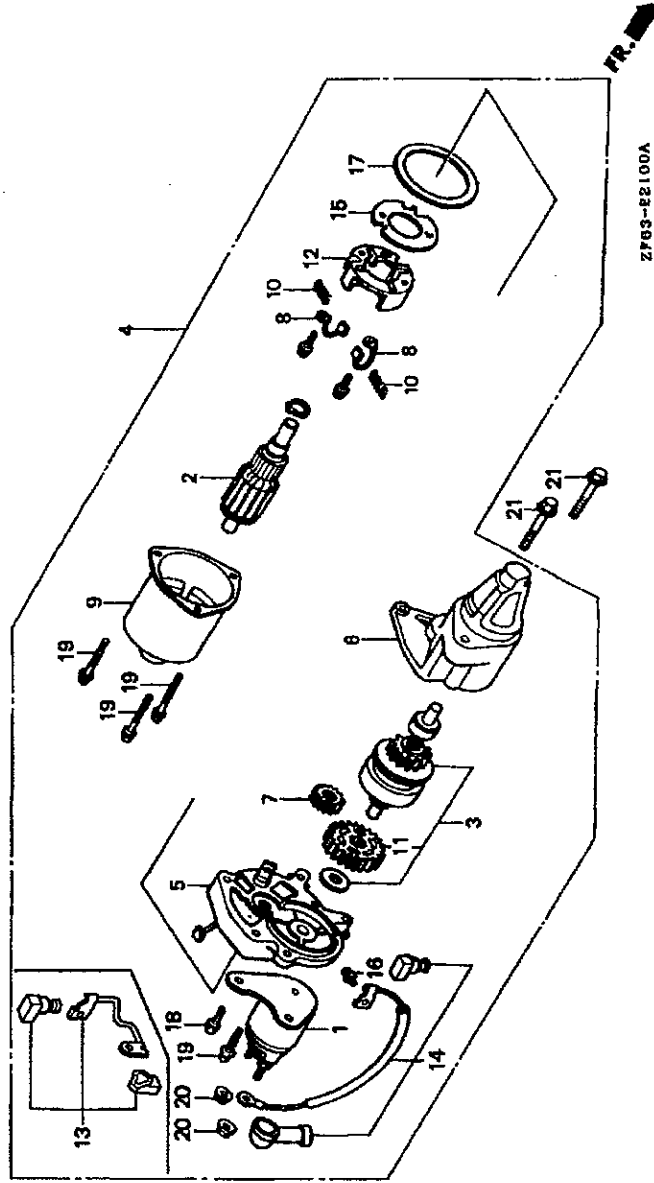
ZF63-E2000D

[NEW SELECTION]

POS.	REF-NO.	Description	Engine No.	GX
			up to	
✓	1 30500-ZF6-W01	COIL ASSY., IGNITION		1
U	2 30700-ZE1-013	<NICHIA Y-EZ RTFM256>		390
	7 31511-ZE3-000	CLAMPER, CORD		K1<1>
✓	8 31512-ZE2-000	GROMMET, CORD		
	11 31630-ZE2-861	COIL ASSY., CHARGE <10A>		
	12 36101-ZE2-701	CORD, STOP SWITCH <430MM>		
	13 36103-ZE1-000	HOLDER, STOP SWITCH CORD		
	14 90012-888-000	BOLT, FLANGE, 6X40		4
	15 90013-883-000	BOLT FLANGE, 6X12 <CT200>		1
	17 90015-883-000	BOLT, FLANGE, 6X28		2

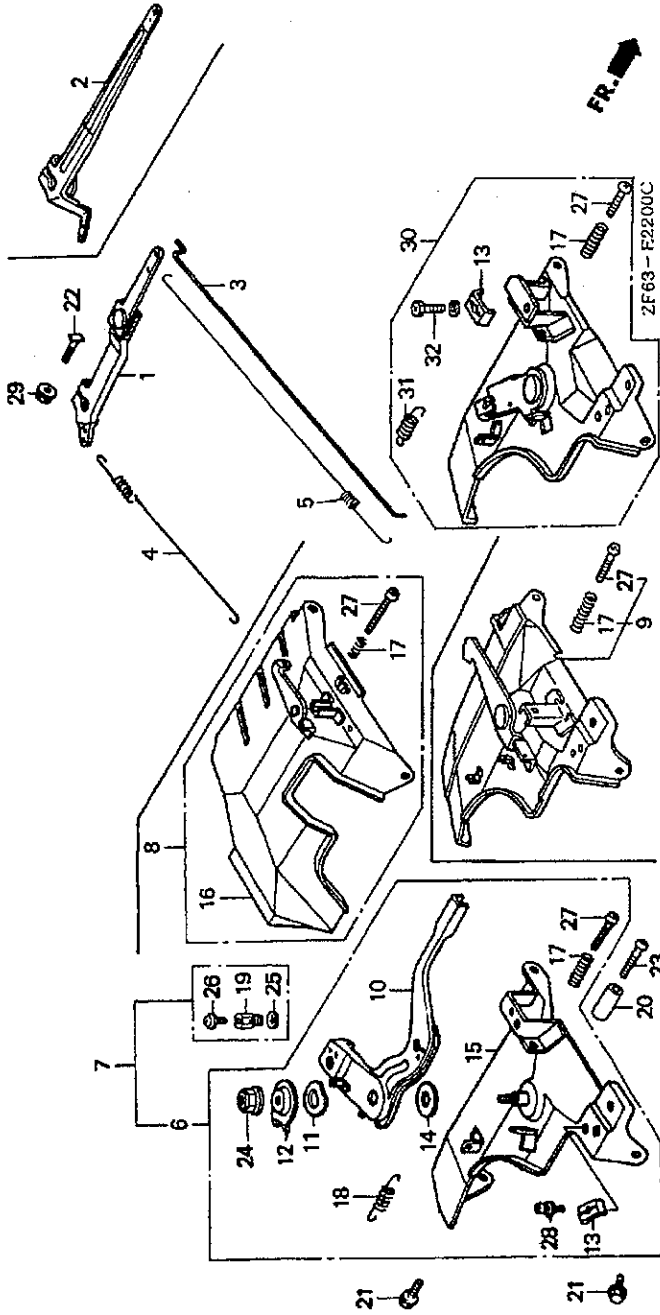
COIL ASSY., IGNITION (FOR 6X740 K1 - multi, Honda 92 →)

PUWA 6X740 90700-2E3-009, RM → 92 (K1)



[NEW SELECTION]

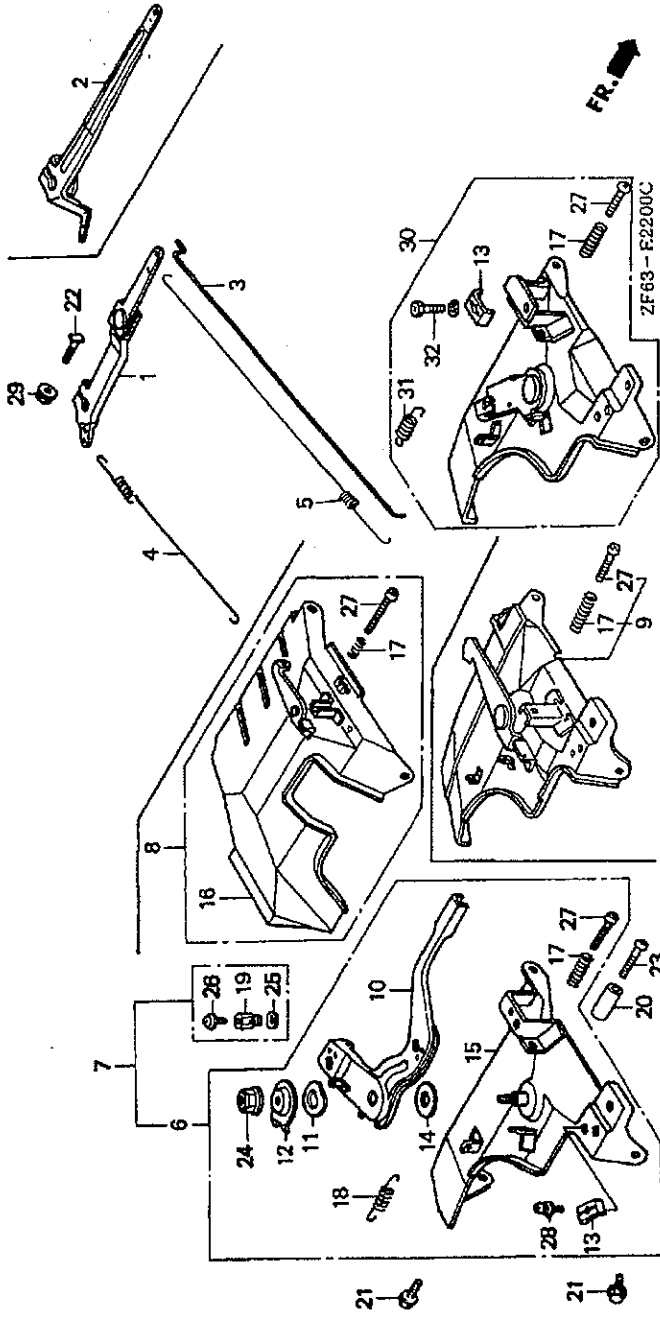
POS.	REF-NO.	Description	Engine No. up	to	GX
✓ 1	131204-ZA0-003	CONTACTOR ASSY.			1
✓ 2	31206-ZE3-003	ARMATURE COMP.			390
3	31207-ZE3-003	CLUTCH COMP., OVERRUNNING			K1<1>
✓ 4	31210-ZE3-013	MOTOR UNIT, STARTER			
5	31211-ZE2-003	BRACKET, CENTER			
6	31212-ZE3-003	BRACKET, FR.			
7	31213-ZE2-003	GEAR, DRIVE PINION			
8	31215-ZE2-003	BRUSH			2
9	31218-ZE3-003	YOKE COMP.			1
✓ 10	31219-ZE2-003	SPRING, BRUSH RETURN			4
11	31222-ZE3-791	GEAR, REDUCTION			
✓ 12	31231-ZE2-003	HOLDER, BRUSH			1
14	31232-ZE3-003	WIRE, WATER COVER			1
15	31233-ZE2-003	INSULATOR			1
16	90110-ZE2-003	SCREW-WASHER, 4X6			1
17	91601-ZE2-003	PACKING			1
18	93892-05014-18	SCREW-WASHER, 5X14	2326511		2
18	90007-ZE2-003	BOLT-WASHER, 5X14			2
19	93892-05032-18	SCREW-WASHER, 5X32	2326512		4
20	94070-06080	NUT-WASHER, 6MM			2
21	95701-08035-08	BOLT, FLANGE, 8X35			2



(1)

[NEW SELECTION]

POS.	REF-NO.	Description	Engine No. up	to	GX
	2	16551-ZE3-000			1
	3	16555-ZE3-000			1
✓	4	16561-ZE3-000			1
✓	5	16562-ZE3-000			1
	7	16570-ZE3-W10			1
	10	16571-ZE3-W00			1
	11	16574-ZE1-000			1
	12	16575-ZE2-W00			1
	13	16576-891-000			1
	14	16578-ZE1-000			1
	15	16581-ZE3-W00			1
✓	17	16584-883-300			1
	18	16592-883-310			1
	19	16594-883-010			1
	20	16599-ZG1-M10			1
	21	90013-883-000			2
	22	90015-ZE5-010			1
	23	90016-ZG9-N30			1
	24	90114-SA0-000			1
	25	90605-230-000			1
	26	93500-04005-0H			1
✓	27	93500-05032-0A			1



28 | SCREW PAN, 5X16

29 | NUT FLANGE, 6MM

1

1