

AVANT 313S

Parts list

STARTING FROM SERIAL NUMBER: 14320

AVANT 313S A21059



Manufacturer:

The AVANT logo is rendered in a bold, red, italicized sans-serif font with a black outline. The letters are slanted to the right, giving it a sense of motion and strength.

AVANT TECNO OY

YLÖTIE 1

FIN-33470 YLÖJÄRVI

FINLAND

tel. +358 3 347 8800

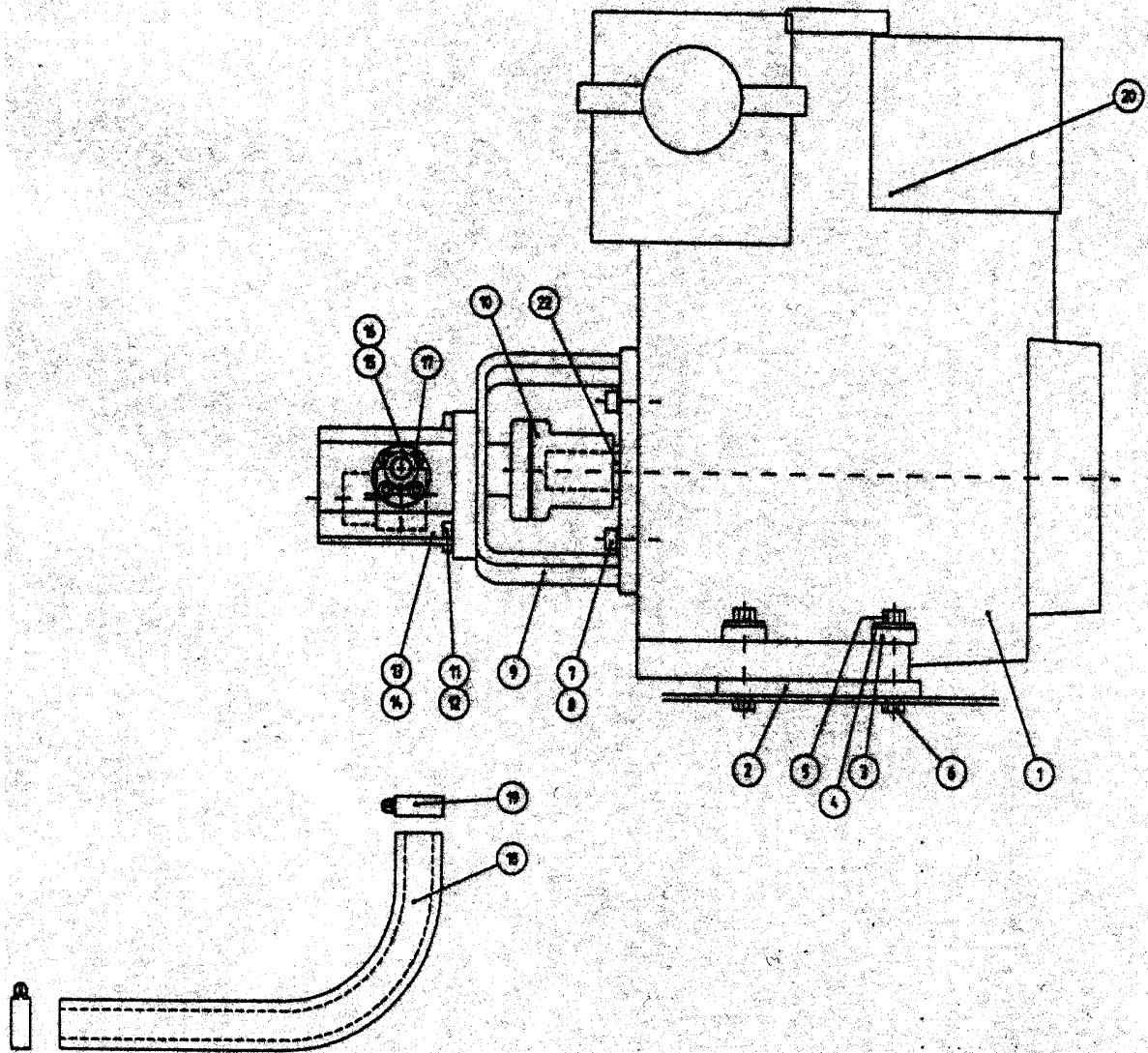
fax +358 3 348 5511

web www.avanttecono.com

TABLE OF CONTENTS

ENGINE, ASSEMBLY, 313S		3,4
LOADER BOOM, STD., ASSEMBLY	A32328	5
TELESCOPIC BOOM, ASSEMBLY	A21053	6,7
HYDRAULIC MOTOR OMSW 315 / 313S	A43974	7
HYDRAULIC SYSTEM, ASSEMBLY 313S	A2762	8,9
FOOT THROTTLE	A42530	17

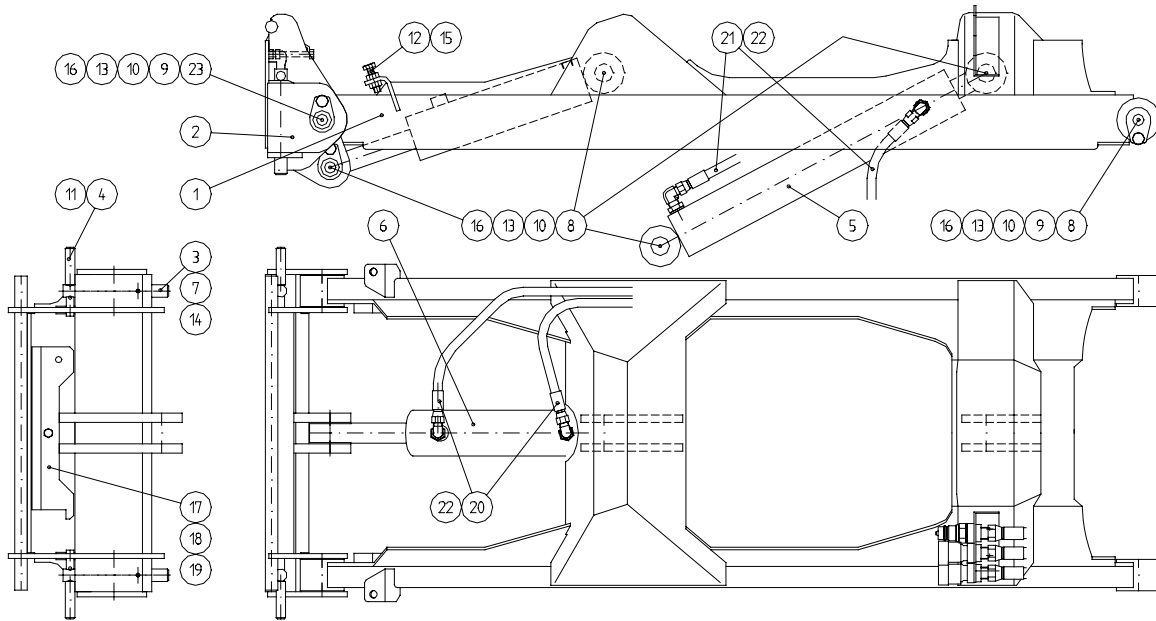
ENGINE, ASSEMBLY, 313S



ENGINE, ASSEMBLY, 313S

1	64125	1	ENGINE HONDA GX390, ELECTR. STARTER
2	A4431	1	VIBRATION DAMPER PLATE (RUBBER)
3	A41842	4	RUBBER WASHER F30,S=10 60SHA
4	71685	4	WASHER M8 DIN 440 ZN
5	72320	4	HEXAGONAL NUT M8 NYLOC DIN985
6	72139	4	HEXAGONAL SCREW M 8*60 DIN 931
7	71884	4	HEXAGONAL SCREW M 8*25 DIN 912
8	73962	4	SPACER M8 DIN 127
9	A31094	1	PUMP SUPPORT, HONDA 11/13/20 HP
10	A4419	1	COUPLING
11	71880	4	HEXAGONAL SCREW M 6*25 DIN 912
12	71682	4	WASHER M8 DIN 440 ZN
13	64057	1	HYDR. PUMP CASAPPA PLP10.8D-86E1 SINGLE
	64093	1	HYDR. PUMP PLP10.6,3-86E1/10.6,3D DOUBL
14	73747	1	PRESSURE FLANGE 1 GQ 38
15	A4428	1	INLET FLANGE FE52C F40-36
16	73744	1	O-RING NBR F15,1*1,6
17	73766	4	HEXAGONAL SCREW M6*16 DIN 912
18	A41667	1	INLET HOSE ¾" - 330
19	73530	2	HOSE CLAMP 22-32 MM
20	64054	1	RETAINING SPRING SF-DF 1,2*10*30
22	A42106	1	SPACER

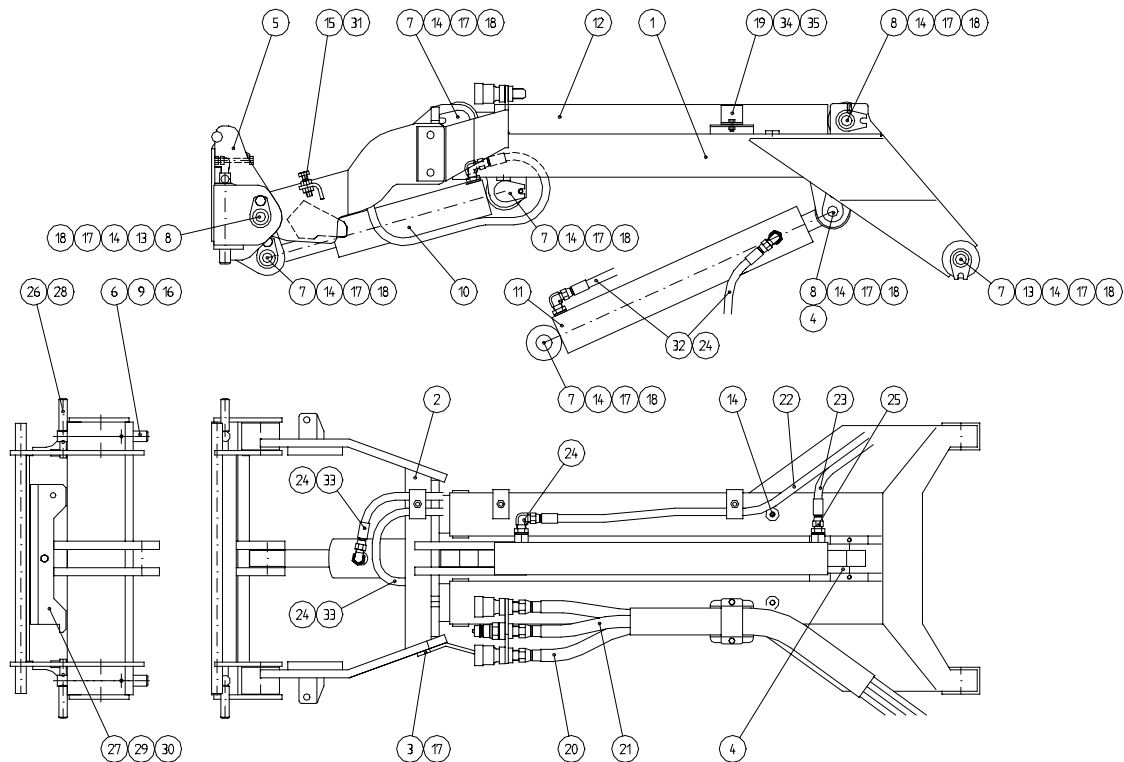
LOADER BOOM, STD. A32328



1	A31636	1	LOADER BOOM, ASSEMBLY
2	A31831	1	ATTACHMENT COUPLING PLATE
3	A43935	2	LOCKING PIN F20
4	A43936	2	LATCH PIN
5	A43673	1	HYDRAULIC CYLINDER F63/F32-360 LMIN=590
6	A43672	1	HYDRAULIC CYLINDER F63/F32-150 LMIN=380
7	64138	2	COMPRESSION SPRING 2,5*25*135
8	A43565	6	PIVOT PIN L=80
9	64048	4	SLIDE BEARING GSM-3034-40 IGLIDUR
10	72798	8	GREASE NIPPLE R 1/8" STRAIGHT
11	73661	2	SPRING COTTER 5* 30 DIN 1481
12	73488	2	HEXAGONAL SCREW M10* 60 DIN 933 ZN
13	72147	8	HEXAGONAL SCREW M10* 16 DIN 933 ZN
14	71880	2	HEXAGONAL HEAD SCREW M 6* 25 DIN 912
15	72321	4	HEXAGONAL NUT M10 DIN 934 ZN
16	74531	8	WASHER, PAIR M10 NL10 NORDLOCK
17	A43948	1	SERVICE SUPPORT, LIFT CYLINDER
18	74520	1	HEXAGONAL SCREW M 8* 70 DIN 933 ZN
19	72319	1	HEXAGONAL NUT M 8 DIN 934 ZN
20	A42909	2	HYDRAULIC HOSE L=2100 R1AT-04
21	A42908	2	HYDRAULIC HOSE L=980 R1AT-04
22	64044	4	ELBOW FITTING 90° C40XS10-3/8
23	A44227	2	PIVOT PIN L=94

TELESCOPIC BOOM, ASSEMBLY

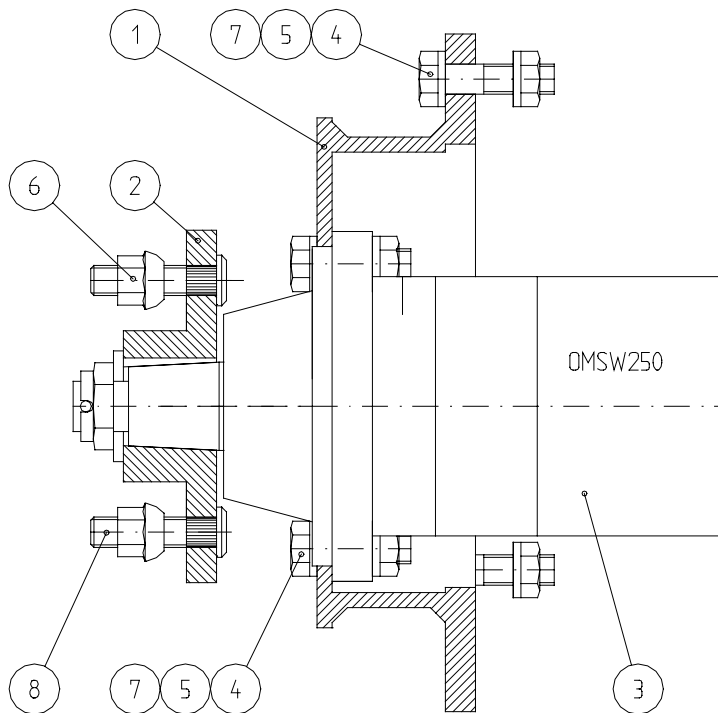
A21053



1	A31448	1	OUTER BOOM
2	A31449	1	INNER BOOM
3	A42671	1	EAR
4	A43083	4	DISTANCE RING
5	A31831	1	ATTACHMENT COUPLING PLATE
6	A43935	2	LOCKING PIN F20
7	A43565	6	PIVOT PIN L=80
8	A44227	4	PIVOT PIN L=94
9	64138	2	COMPRESSION SPRING 2,5*25*135
10	A43672	1	HYDR.CYLINDER F63/F32-150 LMIN=380 F30
11	A43673	1	HYDR.CYLINDER F63/F32-360 LMIN=590 F30
12	A43086	1	HYDR.CYLINDER F50/F32-500 LMIN=720 F30
13	64048	4	SLIDE BEARING GSM-3034-40 IGLIDUR
14	72798	14	GREASE NIPPLE DIN 71412 R1/8" STRAIGHT
15	73488	2	HEXAGONAL SCREW M10* 60 DIN 933 ZN
16	71880	2	HEXAGONAL HEAD SCREW M 6* 25 DIN 912
17	72147	12	HEXAGONAL SCREW M10* 16 DIN 933 ZN
18	74531	10	WASHER, PAIR M10 NL10 NORDLOCK
19	A45344	1	RIVET
20	A45442	2	HYDRAULIC HOSE L=3450 2LW-08
21	A45443	1	HYDRAULIC HOSE L=2800 1LW-08
22	A42928	1	HYDRAULIC HOSE L=1450 R1AT-04
23	A42929	1	HYDRAULIC HOSE L=900 R1AT-04
24	64044	5	ELBOW FITTING 90° C40XS10-3/8
25	64041	1	BASIC FITTING F40XS10-3/8
26	A43936	2	LATCH PIN

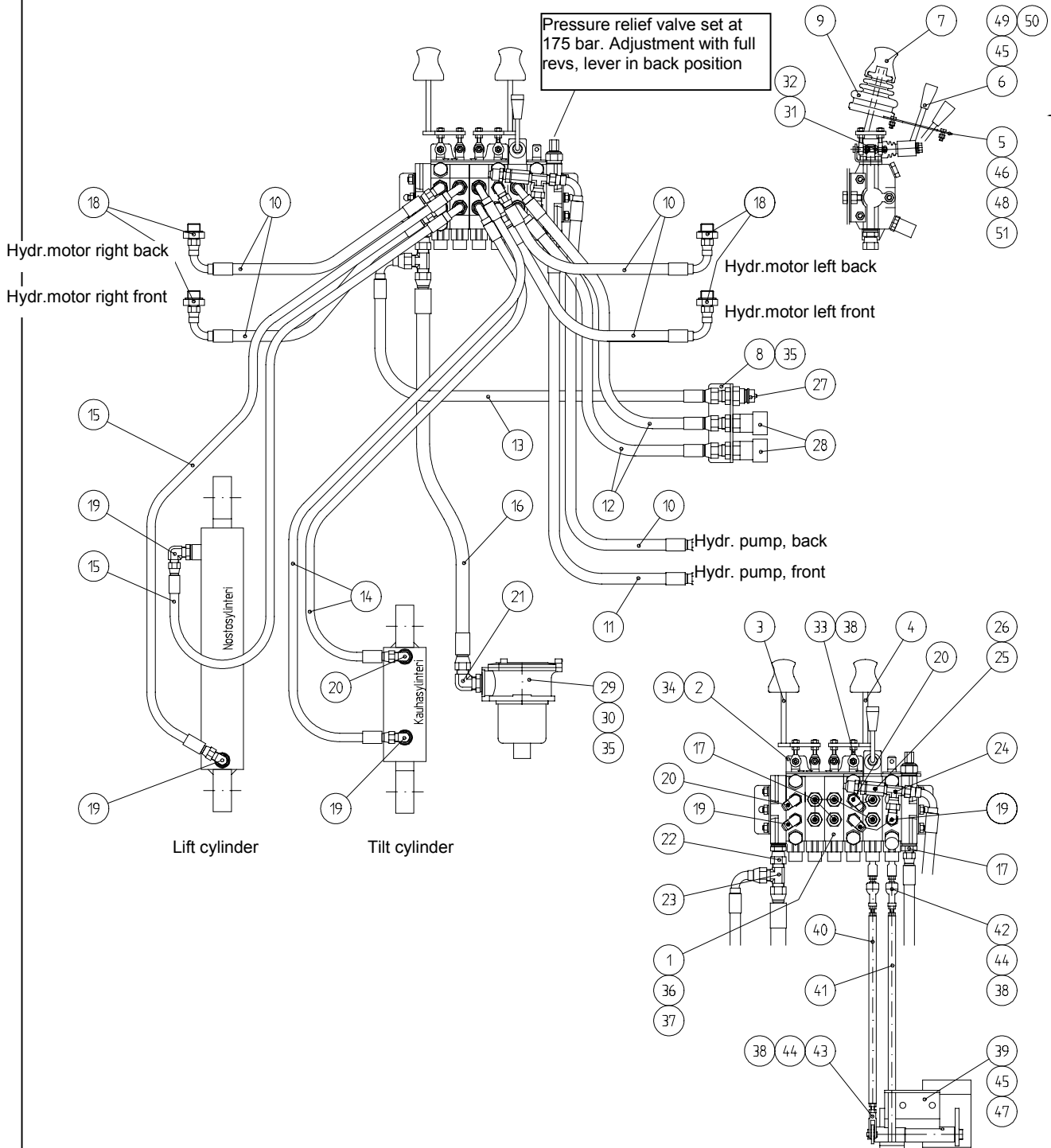
27	A43948	1	SERVICE SUPPORT, BOOM CYLINDER
28	73661	2	SPRING COTTER 5* 30 DIN 1481
29	74520	1	HEXAGONAL SCREW M 8* 70 DIN 933 ZN
30	72319	1	HEXAGONAL NUT M 8 DIN 934 ZN
31	72321	4	HEXAGONAL NUT M10 DIN 934 ZN
32	A42908	2	HYDRAULIC HOSE L=980 R1AT-04
33	A42925	2	HYDRAULIC HOSE L=2950 R1AT-04
34	72117	2	HEXAGONAL SCREW M 6* 16 DIN 933 ZN
35	72318	2	HEXAGONAL NUT M 6 DIN 985 NYLOC
36	73760	3	PIPE CLAMP RSB DS 214/14 D

HYDRAULIC MOTOR, ASSEMBLY, OMSW315 A43974



1	A43971	1	MOUNTING FLANGE, ASSEMBLY, OMS
2	A43973	1	WHEEL HUB, ASSEMBLY, OMS
3	64651	1	HYDRAULIC MOTOR OMSW 315 151F0234
4	73322	7	HEXAGONAL SCREW M12* 40 DIN 931 ZN
5	72324	7	HEXAGONAL NUT M12 DIN 985 NYLOC
6	73743	4	WHEEL NUT M12*1,5DIN74361
7	73613	7	WASHER M12 A12 DIN 127 ZN SPRING
8	74691	4	WHEEL BOLT M12*1.5*60 9999021077

HYDRAULIC SYSTEM, ASSEMBLY, A2762 / 313S DOUBLE SPEED

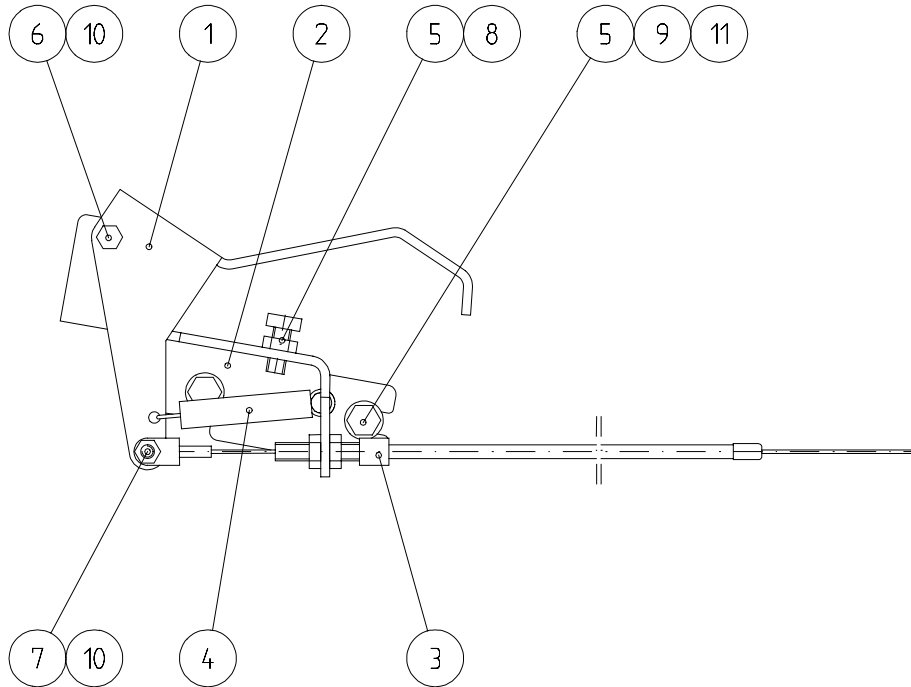


HYDRAULIC SYSTEM, ASSEMBLY, A2762 / 313S DOUBLE SPEED

1	64478	1	CONTROL VALVE HI HDS10/6
2	A3951	1	CONTROL LEVER FRAME
3	A3953	1	CONTROL LEVER, RIGHT
4	A3952	1	CONTROL LEVER, LEFT
5	A44114	1	GROOVE
6	A44115	1	ARTICULATION BUSHING
7	A43484	2	KNOB
8	A41666	1	QUICK COUPLER SUPPORT, FOR 3 COUPLERS
9	64347	2	RUBBER COVER 1051408 F10/F65-75
10	A41645	5	HYDRAULIC HOSE L=1500 2LW-06 3/8"
11	A41653	1	HYDRAULIC HOSE L=1430 2LW-06 3/8"
12	A41654	2	HYDRAULIC HOSE L=1800 2LW-06 3/8"
13	A41953	1	HYDRAULIC HOSE L=1950 2LW-06 3/8"
14	A41657	2	HYDRAULIC HOSE L=3100 1LW-04 1/4"
15	A41656	2	HYDRAULIC HOSE L=720 1LW-04 1/4"
16	A41655	1	HYDRAULIC HOSE L=600 1LW-08 1/2"
17	64041	7	BASIC FITTING F40XS10-3/8
18	64040	4	BASIC FITTING F40XS10-1/2
19	64044	6	ELBOW FITTING 90° C40XS10-3/8
20	64111	3	ELBOW FITTING 90° COA-10-3/8"
21	64045	1	ELBOW FITTING 90° C40XS12-1/2
22	64082	1	CONNECTOR NIPPLE F64XS12-3/8
23	64200	1	T FITTING JTXS12
24	64070	1	THREADED T FITTING BODY S6XS10
25	64195	1	TEST FITTING TT4XS10-1/4"
26	64196	1	MANOMETER FITTING M16*2
27	64189	1	QUICK COUPLER, MALE 1/2" 4V14-T5X4
28	64190	2	QUICK COUPLER, FEMALE 1/2" 2V54-T5X4
29	73750	1	HYDRAULIC OIL FILTER, COMPL. OMTF65-20
30	74093	1	FILTER ELEMENT MP MF100 1 P10 NB
31	A41821	4	CONTROL LEVER PIN
32	A41822	8	LEVER NUT M 6
33	63690	6	ARTICULATION BEARING ASAHI JAM 6
34	74472	4	HEXAGONAL HEAD SCREW M 5* 16 DIN 912
35	71884	4	HEXAGONAL HEAD SCREW M 8* 25 DIN 912
36	72150	2	HEXAGONAL SCREW M10* 25 DIN 933 ZN
37	72322	2	HEXAGONAL NUT M10 DIN 985 ZNNYLOC
38	72317	14	HEXAGONAL NUT M 6 DIN 934 ZN
39	A44111	1	PEDAL, ASSEMBLY
40	A44113	1	CONNECTOR ROD F12*310
41	A44112	1	PUSHER ROD F12*373
43	64467	1	CLEVIS MORSE C 0702 M6 F6-10
44	A44118	3	SCREW ROD M6*45
45	72132	3	HEXAGONAL SCREW M 8* 25 DIN 933 ZN
46	72110	2	HEXAGONAL SCREW M 5* 16 DIN 933 ZN
47	72320	2	HEXAGONAL NUT M 8 DIN 985 ZNNYLOC
48	72315	2	HEXAGONAL NUT M5 DIN 985 ZNNYLOC
49	73122	1	WASHER M 8 A8,4 DIN 125 ZN
50	73962	1	WASHER M 8 A8 DIN 127 ZN SPRING

FOOT THROTTLE

A42530



1	A42528	1	THROTTLE PEDAL
2	A42529	1	THROTTLE PEDAL FRAME
3	A42531	1	THROTTLE WIRE L=1300/1450 1.5mm
4	64257	1	SPRING SF-DF 1,2*12*60 (N=33) F0=7N
5	72130	3	HEXAGONAL SCREW M 8* 20 DIN 933 ZN
6	72127	1	HEXAGONAL SCREW M 6* 90 DIN 931 ZN
7	72118	1	HEXAGONAL SCREW M 6* 20 DIN 933 ZN
8	72319	1	HEXAGONAL NUT M 8 DIN 934 ZN
9	72320	2	HEXAGONAL NUT M 8 DIN 985 ZNNYLOC
10	72318	2	HEXAGONAL NUT M 6 DIN 985 ZNNYLOC
11	73355	2	WASHER M 6 6,6 DIN 126 ZN