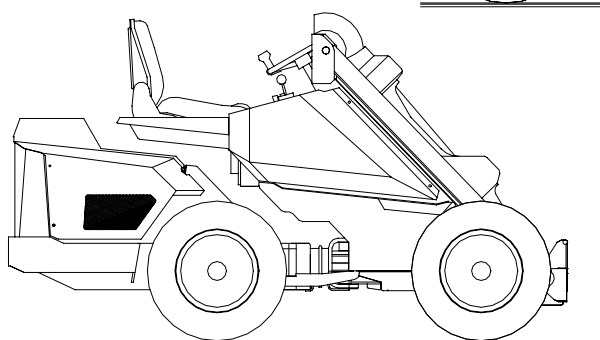
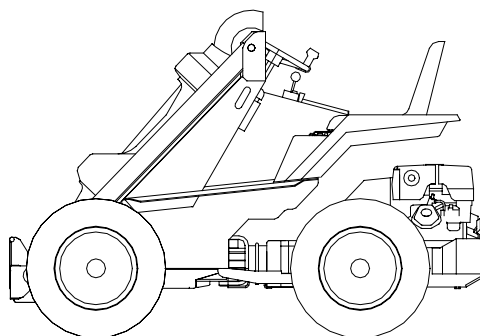


# AVANT 500 Series

## Parts list

STARTING FROM SERIAL NUMBER:

AVANT 513	A2780
AVANT 514	A2781
AVANT 520F	A2988
AVANT 523+	A2985
AVANT 530+	A2992



---

Manufacturer:

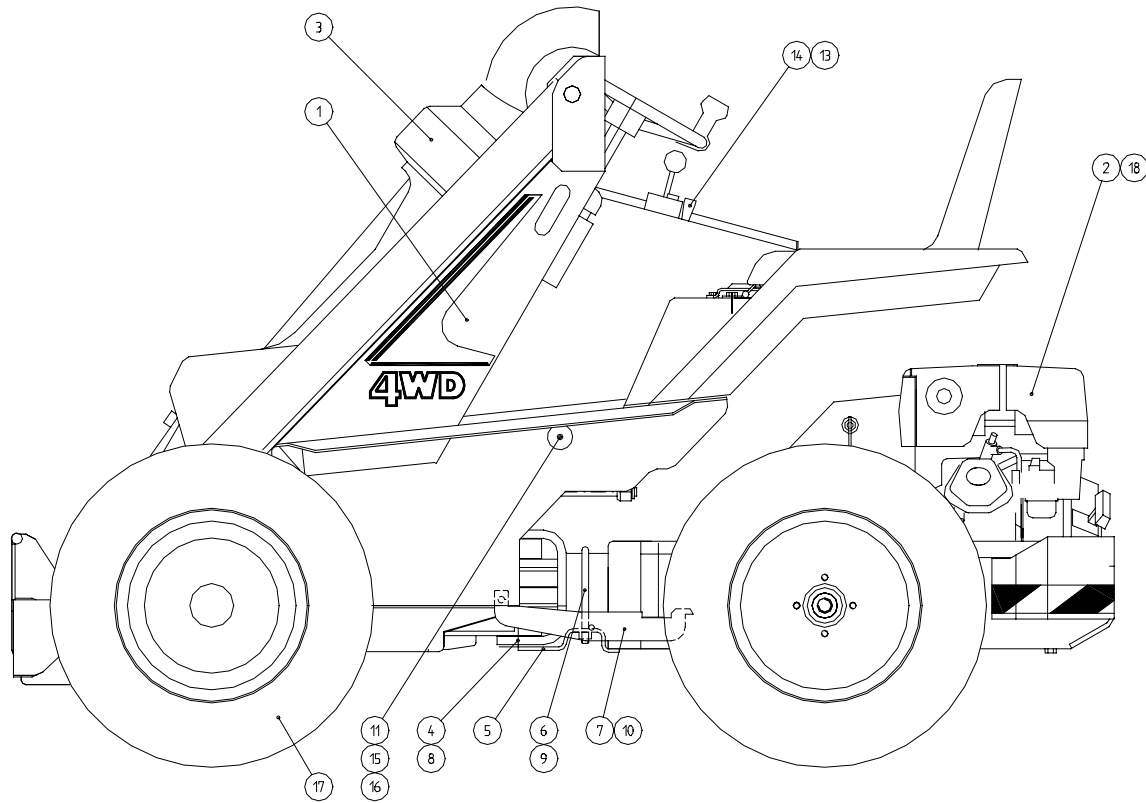
**AVANT**<sup>®</sup>

AVANT TECNO OY  
YLÖTIE 1  
FIN-33470 YLÖJÄRVI  
FINLAND  
Tel. +358 3 3478800  
Fax +358 3 3485511  
[www.avanttecno.com](http://www.avanttecno.com)

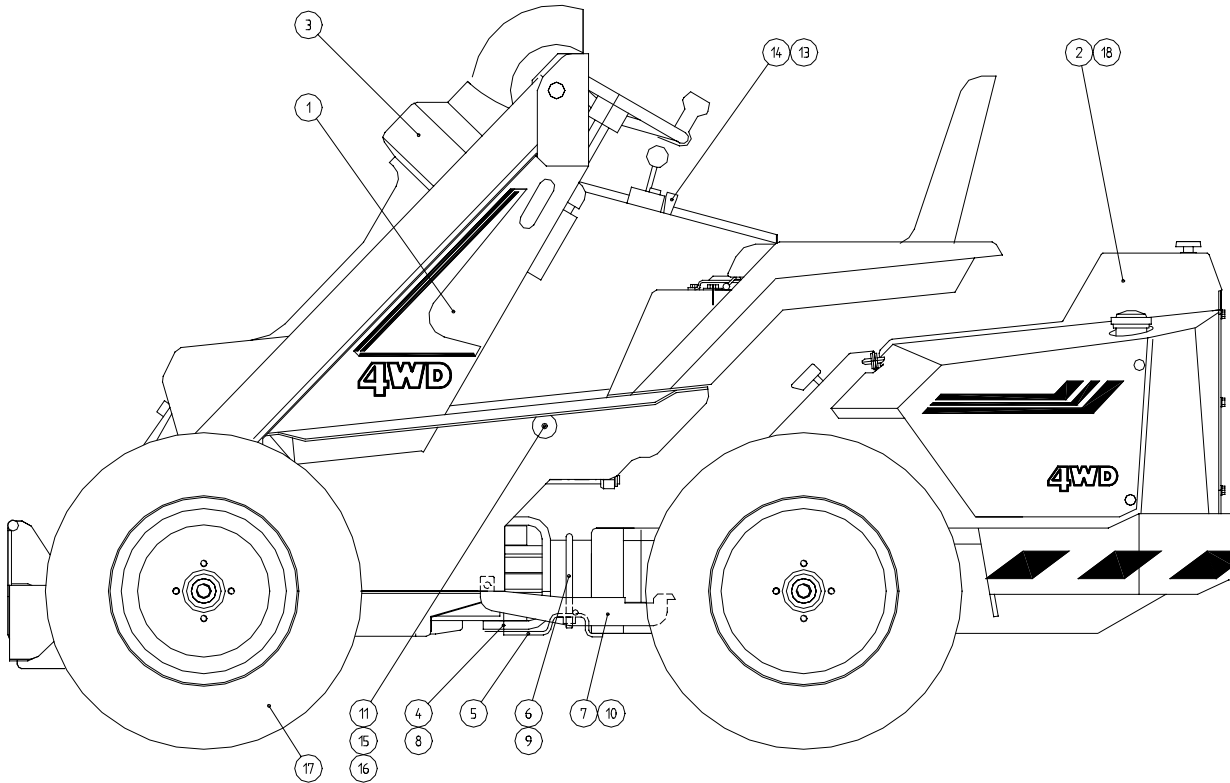
# Contents

AVANT 513 / HONDA GX390	A2780	3
AVANT 514 / KUBOTA Z482	A2781	4
AVANT 520F / KUBOTA D722	A2988	5
AVANT 523+ / KUBOTA D722	A2985	6
AVANT 530+ / KUBOTA D1105	A2992	7
CHASSIS, FRONT, AVANT 513 GX390	A2815	8,9
CHASSIS, FRONT, AVANT 514/520F	A2793	10,11
CHASSIS, FRONT, AVANT 523+/530+	A2981	12,13
CHASSIS, REAR, AVANT 513 GX390	A2789	14,15
CHASSIS, REAR, AVANT 514 Z482	A2997	16,17
CHASSIS, REAR, AVANT 520F	A2996	18,19
CHASSIS, REAR, AVANT 523+	A2984	20,21
CHASSIS, REAR, AVANT 530+	A2982	22,23
ENGINE, Z482/514	A2995	24,25
ENGINE, D722/520F	A2994	26,27
ENGINE, D722/523+	A2986	28,29
ENGINE, D1105/530+	A2980	30,31
ENGINE, GX390/513	A31853	32
LOADER BOOM STD.,	A31832	33
TELESCOPIC BOOM,	A21053	34
HYDRAULIC MOTOR OMSW,	A43974	35
HYDRAULIC MOTOR OMT,	A45166	36
DRIVE PEDAL, MECHANICAL	A31555	37
DRIVE PEDAL, HYDRAULIC, 523+/530+	A32660	38
PARKING BRAKE,	A31739	39
PARKING BRAKE,	A32665	40
VARIABLE DISPL. PUMP CONTROL UNIT	A32672	41
HYDRAULIC HOSES, DRIVE	A31892	42
HYDRAULIC HOSES, DRIVE	A32661	43
MAIN CONTROL VALVE + HOSE	A32677	44,45
MAIN CONTROL VALVE + HOSE	A32673	46,47
HYDRAULIC OIL COOLER	A32676	48
JOYSTICK, TELESCOPE & AUX. HYDR.	A32442	49
AUXILIARY HYDRAULICS, REAR, DOUBLE ACT	A32443	50
BOOM FLOATING SYSTEM, 500 SERIES	A44470	51
ELECTRIC WIRING, AVANT 513	A31846	52
ELECTRIC WIRING, AVANT DIESEL	A31925	52

AVANT 513 / HONDA GX390 A2780

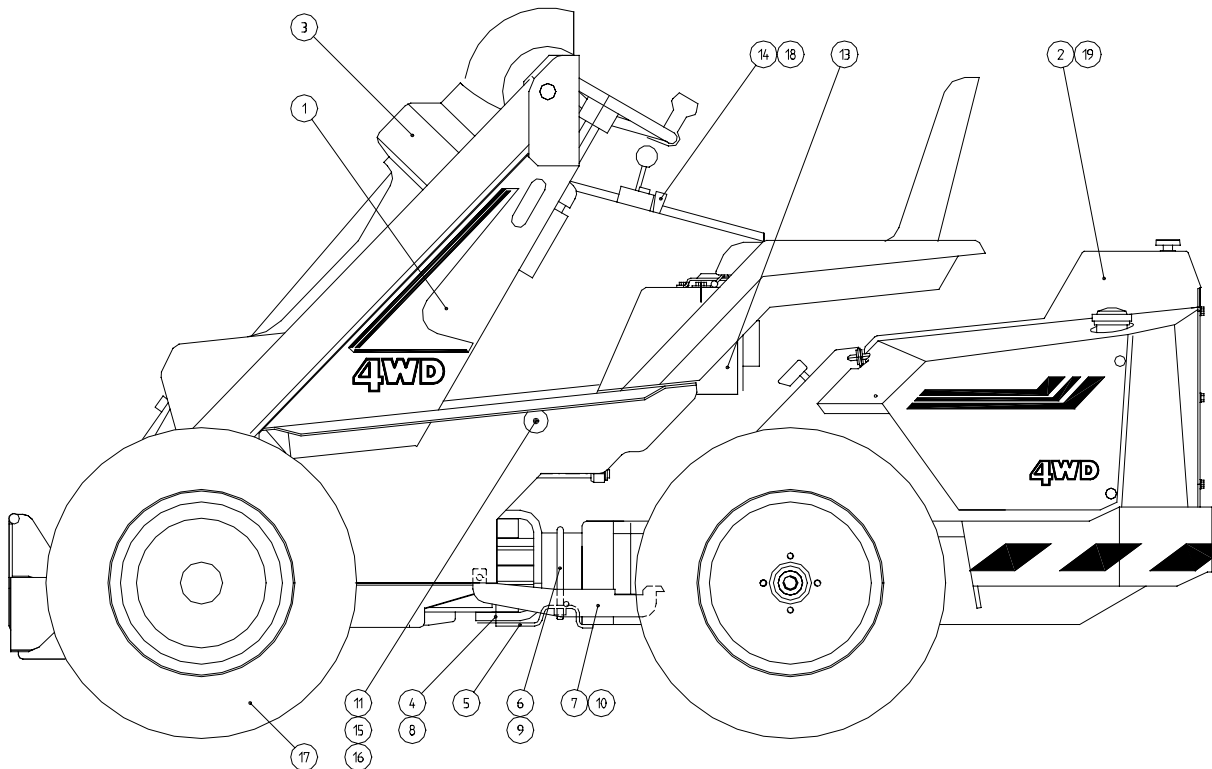


1	A2815	1	CHASSIS, FRONT, , 513 / GX390
2	A2789	1	CHASSIS, REAR, , 513 / GX390
3	A31832	1	LOADER BOOM STD.,
4	A42940	2	PIVOT PIN F35, ARTICULATION JOINT
5	A43819	1	LOCKING PLATE
6	A43036	1	RIVET
7	A43755	1	LOCKING DEVICE
8	72052	4	COUNTERSUNK SOCKET HEAD SCREW M 8* 20
9	72324	2	HEXAGONAL NUT M 12 DIN 985
10	71727	1	RING SPLINT 9,5 MM ZN
11	64355	1	FINGER SCREW STAR SR 4522 M8
12	A31892	1	HYDRAULIC HOSES, DRIVE STD.
13	A44054	2	DRAIN LINE, FRONT,
14	A31847	1	MAIN CONTROL VALVE + HOSE
15	73221	1	HEXAGONAL SCREW M 8* 35 DIN 933 ZN
16	72319	1	HEXAGONAL NUT M 8 DIN 934 ZN
17	64120	4	WHEEL TRACTOR PROFILE LP23*8.50-12/4
18	A44055	1	DRAIN LINE, REAR,
19	A44034	1	DRIVE CABLE, L=825 AVANT 513

AVANT 514 / KUBOTA Z482 A2781

1	A2793	1	CHASSIS, FRONT,
2	A2997	1	CHASSIS, REAR, Z482
3	A31832	1	LOADER BOOM STD.,
4	A42940	2	PIVOT PIN F35, ARTICULATION JOINT
5	A43819	1	LOCKING PLATE
6	A43036	1	RIVET
7	A43755	1	LOCKING DEVICE
8	72052	4	COUNTERSUNK SOCKET HEAD SCREW M 8* 20
9	72324	2	HEXAGONAL NUT M 12 DIN 985 ZN
10	71727	1	RING SPLINT 9,5 MM ZN
11	64355	1	FINGER SCREW STAR SR 4522 M8
12	A31892	1	HYDRAULIC HOSES, DRIVE STD.
13	A44054	2	DRAIN LINE, FRONT,
14	A31847	1	MAIN CONTROL VALVE + HOSE
15	73221	1	HEXAGONAL SCREW M 8* 35 DIN 933 ZN
16	72319	1	HEXAGONAL NUT M 8 DIN 934 ZN
17	64120	4	WHEEL TRACTOR PROFILE LP23*8.50-12/4
18	A44055	1	DRAIN LINE, REAR,
19	A44033	1	DRIVE CABLE, L=1000

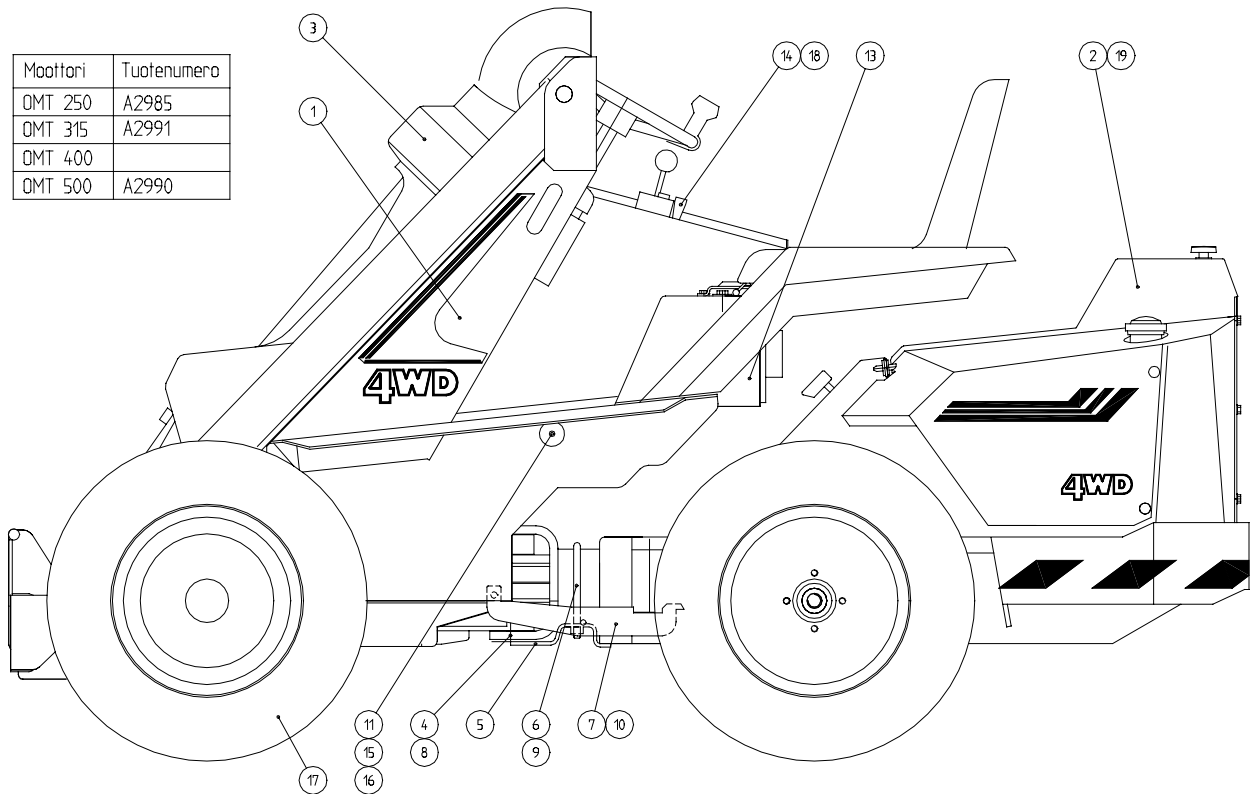
AVANT 520F / KUBOTA D722 A2988



1	A2793	1	CHASSIS, FRONT,
2	A2996	1	CHASSIS, REAR, STD. D722
3	A31832	1	LOADER BOOM STD.,
4	A42940	2	PIVOT PIN F35, ARTICULATION JOINT
5	A43819	1	LOCKING PLATE
6	A43036	1	RIVET
7	A43755	1	LOCKING DEVICE
8	72052	4	COUNTERSUNK SOCKET HEAD SCREW M 8* 20
9	72324	2	HEXAGONAL NUT M 12 DIN 985 ZN
10	71727	1	RING SPLINT 9,5 MM ZN
11	64355	1	FINGER SCREW STAR SR 4522 M8 17S
12	A31892	1	HYDRAULIC HOSES, DRIVE STD.
13	A32676	1	HYDRAULIC OIL COOLER 500 SERIES
14	A31847	1	MAIN CONTROL VALVE + HOSE
15	73221	1	HEXAGONAL SCREW M 8* 35 DIN 933 ZN
16	72319	1	HEXAGONAL NUT M 8 DIN 934 ZN
17	64120	4	WHEEL TRACTOR PROFILE LP23*8.50-12/4
18	A44054	2	DRAIN LINE, FRONT,
19	A44055	1	DRAIN LINE, REAR,
20	A44035	1	DRIVE CABLE, L=925

**AVANT 523+ / KUBOTA D722 A2985**

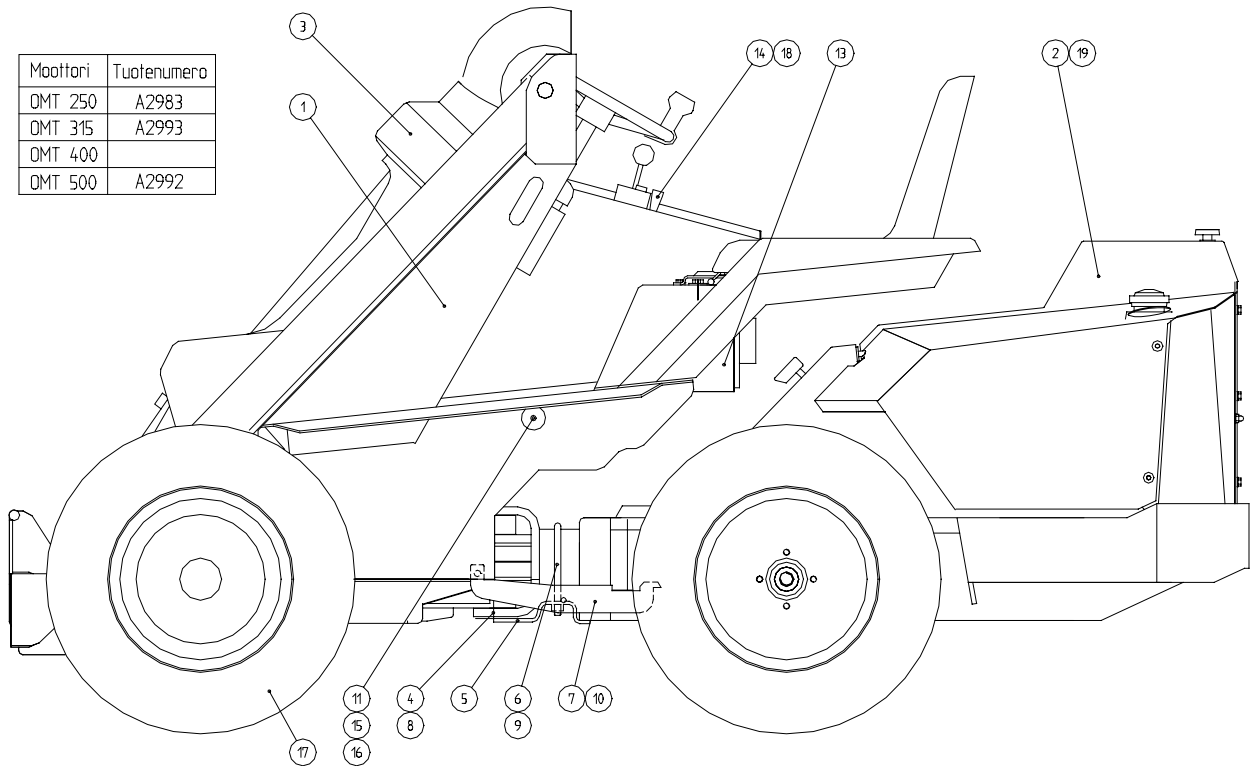
Moottori	Tuotenumero
OMT 250	A2985
OMT 315	A2991
OMT 400	
OMT 500	A2990



- |    |        |   |                                       |
|----|--------|---|---------------------------------------|
| 1  | A2981  | 1 | CHASSIS, FRONT,                       |
| 2  | A2984  | 1 | CHASSIS, REAR, 523+                   |
| 3  | A31832 | 1 | LOADER BOOM STD.,                     |
| 4  | A42940 | 2 | PIVOT PIN F35, ARTICULATION JOINT     |
| 5  | A43819 | 1 | LOCKING PLATE                         |
| 6  | A43036 | 1 | RIVET                                 |
| 7  | A43755 | 1 | LOCKING DEVICE                        |
| 8  | 72052  | 4 | COUNTERSUNK SOCKET HEAD SCREW M 8* 20 |
| 9  | 72324  | 2 | HEXAGONAL NUT M 12 DIN 985 ZN         |
| 10 | 71727  | 1 | RING SPLINT 9,5 MM ZN                 |
| 11 | 64355  | 1 | FINGER SCREW STAR SR 4522 M8 17S      |
| 12 | A32661 | 1 | HYDRAULIC HOSES, DRIVE                |
| 13 | A32676 | 1 | HYDRAULIC OIL COOLER 500 SERIES       |
| 14 | A31851 | 1 | MAIN CONTROL VALVE + HOSE             |
| 15 | 73221  | 1 | HEXAGONAL SCREW M 8* 35 DIN 933 ZN    |
| 16 | 72319  | 1 | HEXAGONAL NUT M 8 DIN 934 ZN          |
| 17 | 64120  | 4 | WHEEL TRACTOR PROFILE LP23*8.50-12/4  |
| 18 | A44054 | 2 | DRAIN LINE, FRONT,                    |
| 19 | A44055 | 1 | DRAIN LINE, REAR,                     |

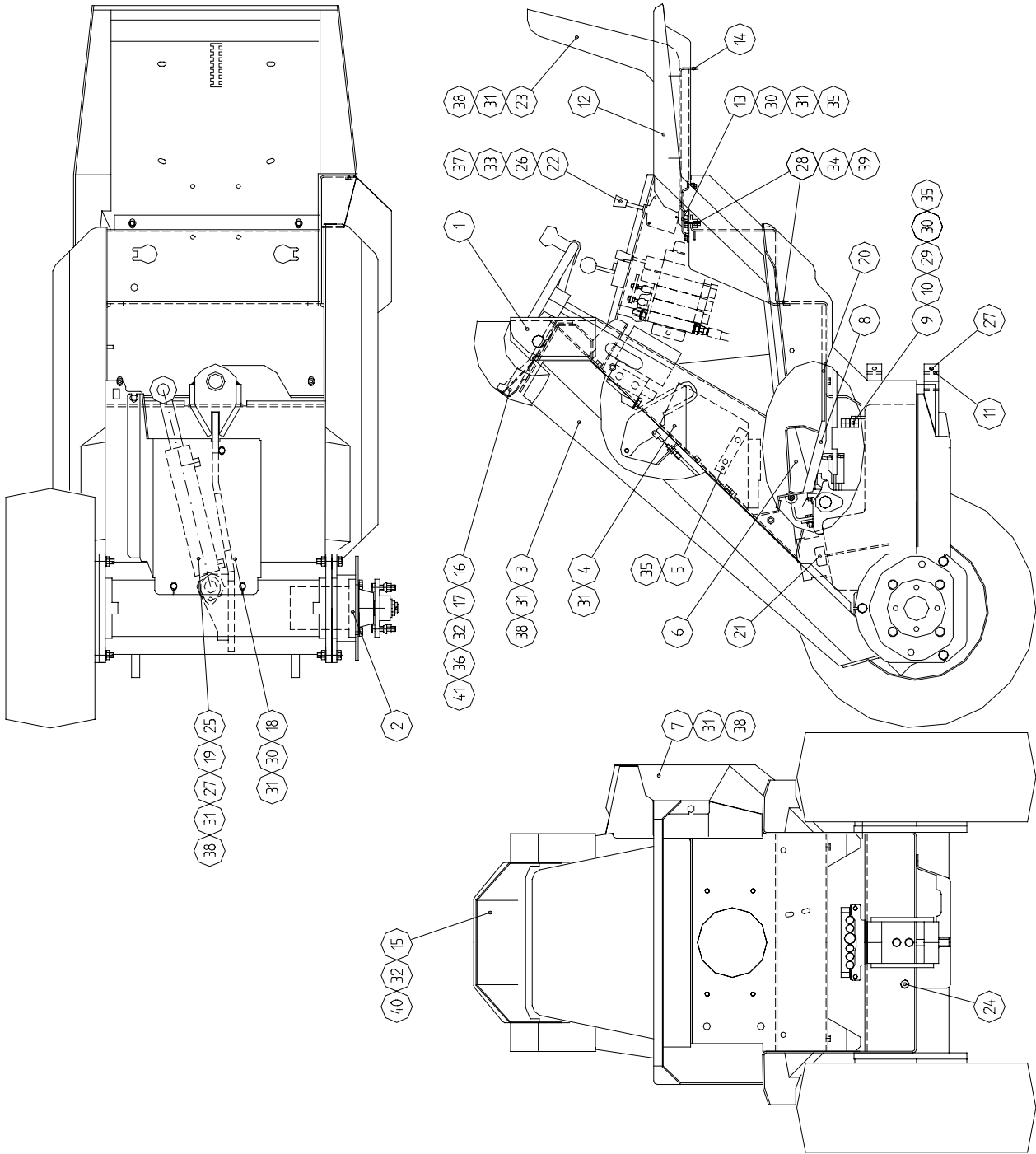
**AVANT 530+ / KUBOTA D1105 A2992**

Moottori	Tuotenumero
DMT 250	A2983
DMT 315	A2993
DMT 400	
DMT 500	A2992



- |    |        |   |                                       |
|----|--------|---|---------------------------------------|
| 1  | A2981  | 1 | CHASSIS, FRONT,                       |
| 2  | A2982  | 1 | CHASSIS, REAR, , 530+                 |
| 3  | A31832 | 1 | LOADER BOOM STD.,                     |
| 4  | A42940 | 2 | PIVOT PIN F35, ARTICULATION JOINT     |
| 5  | A43819 | 1 | LOCKING PLATE                         |
| 6  | A43036 | 1 | RIVET                                 |
| 7  | A43755 | 1 | LOCKING DEVICE                        |
| 8  | 72052  | 4 | COUNTERSUNK SOCKET HEAD SCREW M 8* 20 |
| 9  | 72324  | 2 | HEXAGONAL NUT M 12 DIN 985 ZN         |
| 10 | 71727  | 1 | RING SPLINT 9,5 MM ZN                 |
| 11 | 64355  | 1 | FINGER SCREW STAR SR 4522 M8 17S      |
| 12 | A32661 | 1 | HYDRAULIC HOSES, DRIVE                |
| 13 | A32676 | 1 | HYDRAULIC OIL COOLER 500 SERIES       |
| 14 | A31851 | 1 | MAIN CONTROL VALVE + HOSE             |
| 15 | 73221  | 1 | HEXAGONAL SCREW M 8* 35 DIN 933 ZN    |
| 16 | 72319  | 1 | HEXAGONAL NUT M 8 DIN 934 ZN          |
| 17 | 64120  | 4 | WHEEL TRACTOR PROFILE LP23*8.50-12/4  |
| 18 | A44054 | 2 | DRAIN LINE, FRONT,                    |
| 19 | A44055 | 1 | DRAIN LINE, REAR,                     |

CHASSIS, FRONT, AVANT 513 GX390 A2815

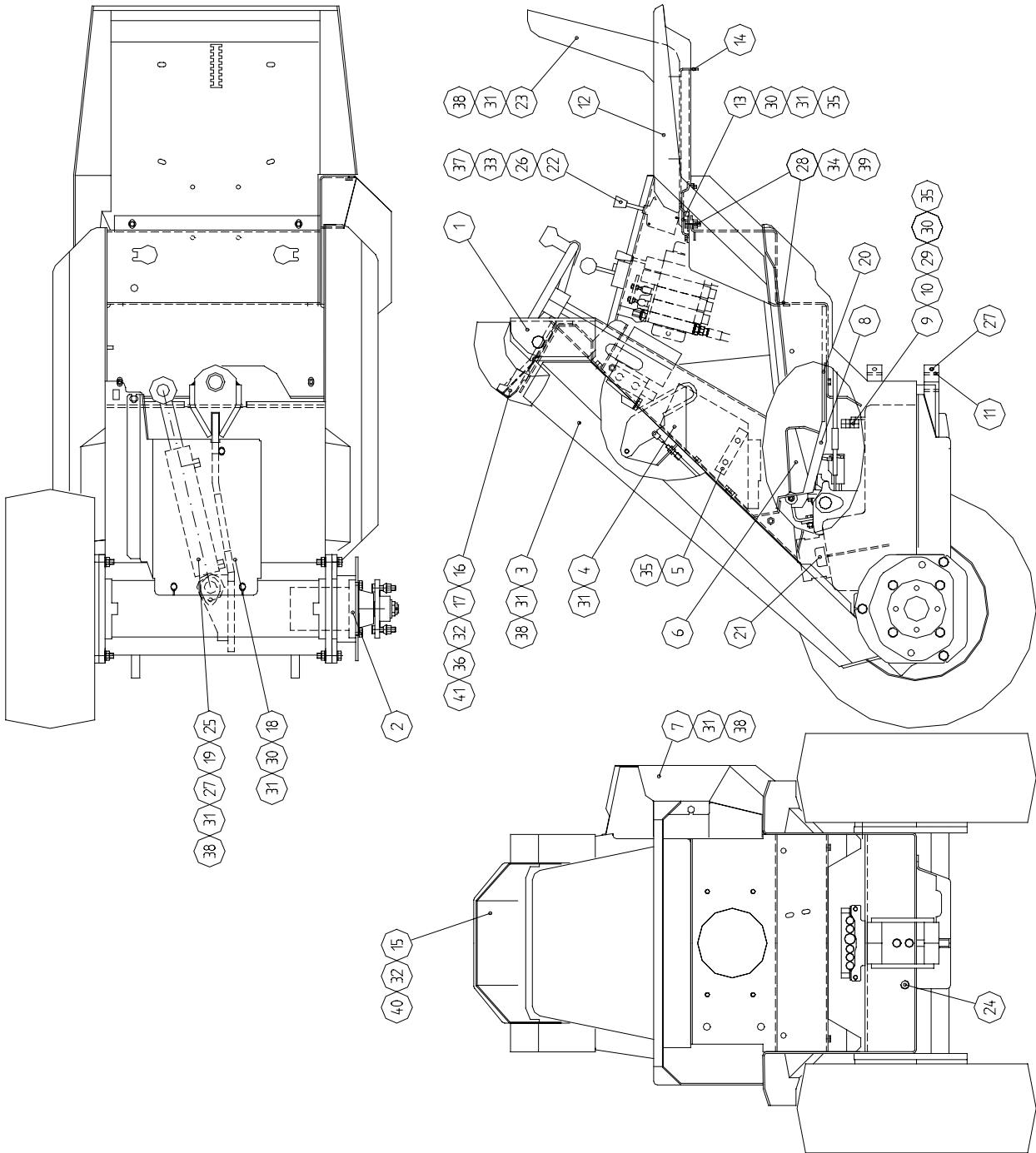




CHASSIS, FRONT, AVANT 513 GX390 A2815

1	A2772	1	CHASSIS, FRONT, ASSEMBLY, 500 SERIES
2	A43974	2	HYDRAULIC MOTOR OMSW,
3	A31702	1	COVER PLATE, FRONT, 500 SERIES
4	A42770	1	HOSE COVER
5	A42439	1	HOSE CLAMP FOR 4 HOSES
6	A32316	1	DRIVE PEDAL
7	A43734	1	COVER PLATE, CONTROL VALVE
8	A43171	1	BOTTOM PLATE
9	A44244	1	HOSE CLAMP, LOWER
10	A44245	1	HOSE CLAMP, UPPER
11	A42797	2	BUSHING, ARTICULATION JOINT
12	A43731	1	SEAT BASE
13	A43740	1	GROOVE
14	A43742	1	SEAT FRAME
15	A31542	1	FINGER PROTECTING COVER
16	A31501	1	DASHBOARD
17	A31846	1	ELECTRIC WIRING, AVANT 513
18	A43751	1	ARTICULATION CYLINDER COVER
19	A42805	2	PIVOT PIN, ARTICUL. CYLINDER, F30
20	A42773	1	CARPET PYRAMINE 3033
21	A3958	1	DIPSTICK-BREATHER R 1 1/4"
22	73762	1	CONTROL DEVICE F7110 (HAND THROTTLE)
23	64106	1	SEAT PRAMA ART.205SC
	64121	1	SEAT, WITH SUSPENSION COBO SC40
24	64352	1	HEXAGONAL PLUG R 1/2" MAGNETIC
25	A42791	1	HYDR. CYLINDER F50/F30-172 LMIN=399
26	A43104	1	THROTTLE WIRE, HAND THROTTLE 2570/2850
27	72798	4	GREASE NIPPLE R 1/8" STRAIGHT
28	72151	4	HEXAGONAL SCREW M10* 30 DIN 933 ZN
29	72135	2	HEXAGONAL SCREW M 8* 40 DIN 931 ZN
30	72133	5	HEXAGONAL SCREW M 8* 30 DIN 933 ZN
31	73039	18	HEXAGONAL SCREW M 8* 16 DIN 933 ZN
32	72116	8	HEXAGONAL SCREW M 6* 12 DIN 933 ZN
33	74582	3	COUNTERSUNK SLOTHEAD SCREW M 4* 25
34	72322	4	HEXAGONAL NUT M10 DIN 985 ZNNYLOC
35	72320	9	HEXAGONAL NUT M 8 DIN 985 ZNNYLOC
36	72318	4	HEXAGONAL NUT M 6 DIN 985 ZNNYLOC
37	72313	3	HEXAGONAL NUT M 4 DIN 985 ZNNYLOC
38	74525	15	WASHER M 8 8,4*20*1,25 ZN
39	74423	4	WASHER M10 11 DIN 126
40	74523	4	WASHER M 6 6,5*20*1,25 ZN
41	73355	4	WASHER M 6 6,6 DIN 126 ZN

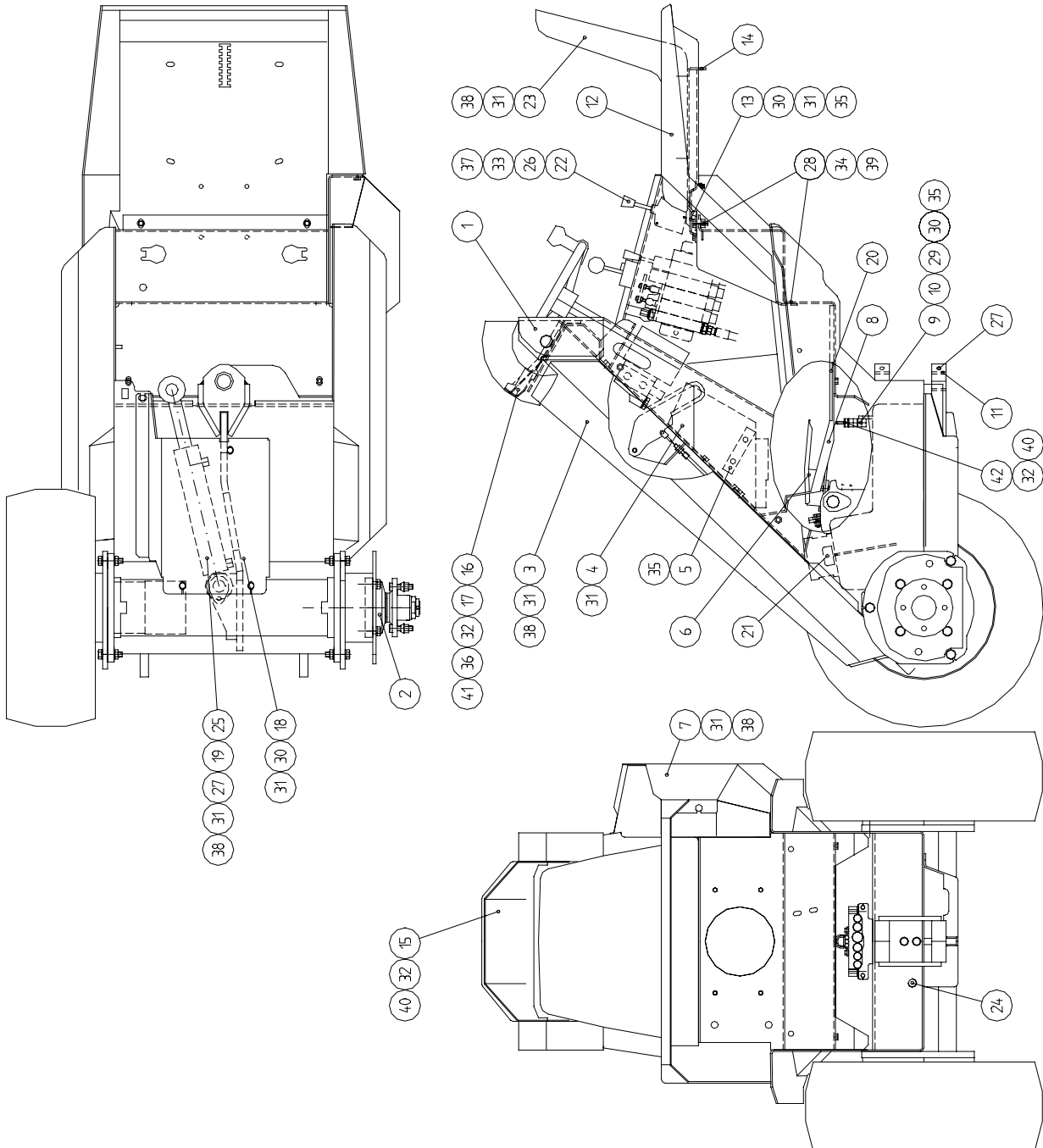
CHASSIS, FRONT, AVANT 514/520F A2793



CHASSIS, FRONT, AVANT 514/520F A2793

1	A2772	1	CHASSIS, FRONT, ASSEMBLY, 500 SERIES
2	A43974	2	HYDRAULIC MOTOR OMSW, OMS
3	A31702	1	COVER PLATE, FRONT, 500 SERIES
4	A42770	1	HOSE COVER
5	A42439	1	HOSE CLAMP FOR 4 HOSES
6	A32316	1	DRIVE PEDAL
7	A43734	1	COVER PLATE, CONTROL VALVE
8	A43171	1	BOTTOM PLATE
9	A44245	1	HOSE CLAMP, UPPER
10	A44244	1	HOSE CLAMP, LOWER
11	A42797	2	BUSHING, ARTICULATION JOINT
12	A43731	1	SEAT BASE
13	A43740	1	GROOVE
14	A43742	1	SEAT FRAME
15	A31542	1	FINGER PROTECTING COVER
16	A31509	1	DASHBOARD
17	A31925	1	ELECTRIC WIRING 500 SERIES DIESEL
18	A43751	1	ARTICULATION CYLINDER COVER
19	A42805	2	PIVOT PIN, ARTICUL. CYLINDER, F30
20	A42773	1	CARPET PYRAMINE 3033
21	A3958	1	DIPSTICK-BREATHER R 1 1/4"
22	73762	1	CONTROL DEVICE F7110 (HAND THROTTLE)
23	64106	1	SEAT PRAMA ART.205SC
	64121	1	SEAT, WITH SUSPENSION COBO SC40
24	64352	1	HEXAGONAL PLUG R 1/2" MAGNETIC
25	A42791	1	HYDR. CYLINDER F50/F30-172 LMIN=399
26	A43104	1	THROTTLE WIRE, HAND THROTTLE 2570/2850
27	72798	4	GREASE NIPPLE R 1/8" STRAIGHT
28	72151	4	HEXAGONAL SCREW M10* 30 DIN 933 ZN
29	72135	2	HEXAGONAL SCREW M 8* 40 DIN 931 ZN
30	72133	5	HEXAGONAL SCREW M 8* 30 DIN 933 ZN
31	73039	18	HEXAGONAL SCREW M 8* 16 DIN 933 ZN
32	72116	8	HEXAGONAL SCREW M 6* 12 DIN 933 ZN
33	74582	3	COUNTERSUNK SLOTHEAD SCREW M 4* 25
34	72322	4	HEXAGONAL NUT M10 DIN 985 ZNNYLOC
35	72320	9	HEXAGONAL NUT M 8 DIN 985 ZNNYLOC
36	72318	4	HEXAGONAL NUT M 6 DIN 985 ZNNYLOC
37	72313	3	HEXAGONAL NUT M 4 DIN 985 ZNNYLOC
38	74525	15	WASHER M 8 8,4*20*1,25 ZN
39	74423	4	WASHER M10 11 DIN 126
40	74523	4	WASHER M 6 6,5*20*1,25 ZN
41	73355	4	WASHER M 6 6,6 DIN 126 ZN

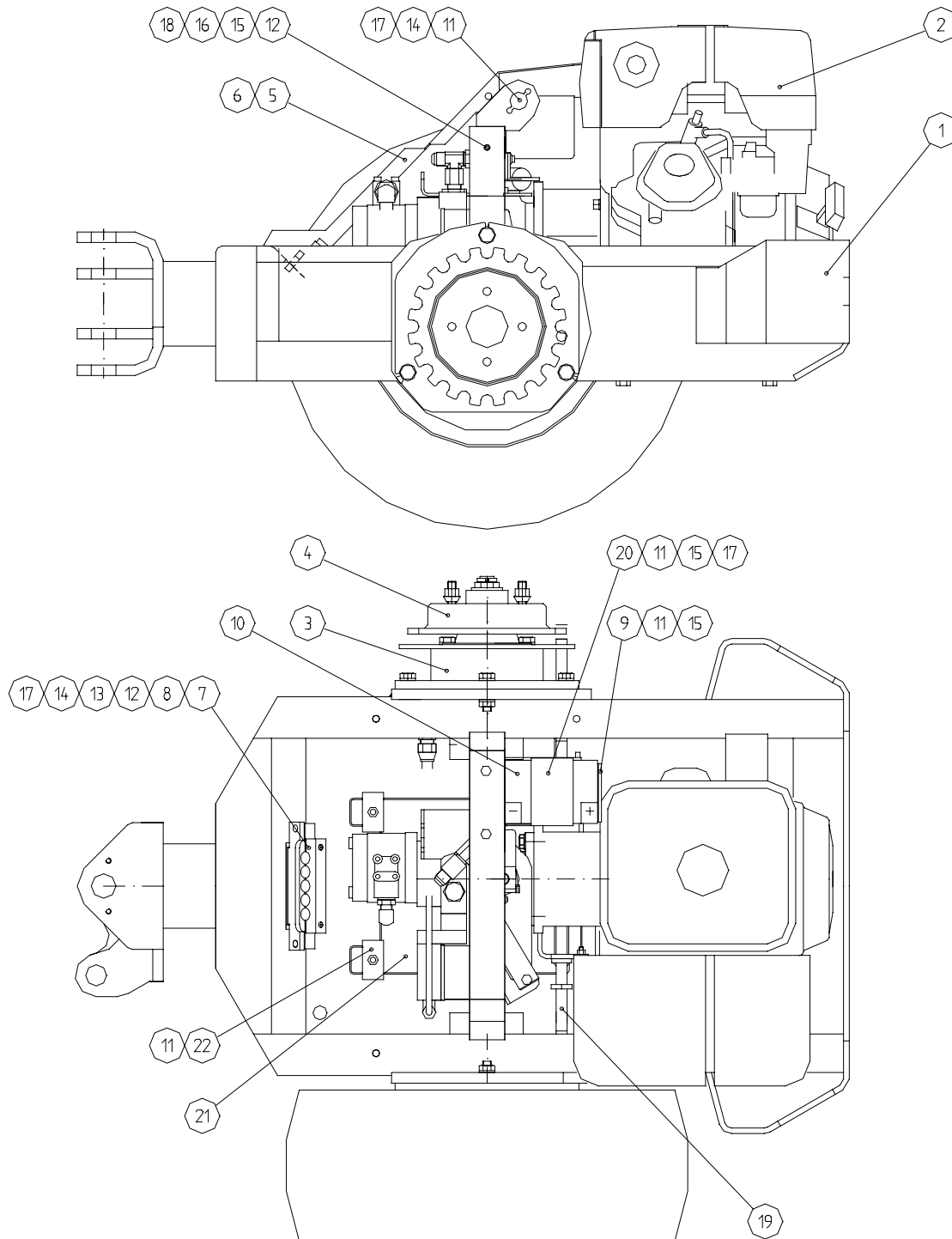
CHASSIS, FRONT, AVANT 523+/530+ A2981



CHASSIS, FRONT, AVANT 523+/530+ A2981

1	A2772	1	CHASSIS, FRONT, ASSEMBLY, 500 SERIES
2	A45166	2	HYDRAULIC MOTOR OMT, OMT
3	A31702	1	COVER PLATE, FRONT, 500 SERIES
4	A42770	1	HOSE COVER
5	A42439	1	HOSE CLAMP FOR 4 HOSES
6	A32660	1	DRIVE PEDAL, HYDRAULIC
7	A43734	1	COVER PLATE, CONTROL VALVE
8	A45101	1	FLOOR 528
9	A45161	1	HOSE CLAMP 528 LOWER
10	A45162	1	HOSE CLAMP 528 UPPER
11	A42797	2	BUSHING, ARTICULATION JOINT
12	A43731	1	SEAT BASE
13	A43740	1	GROOVE
14	A43742	1	SEAT FRAME
15	A31542	1	FINGER PROTECTING COVER
16	A31509	1	DASHBOARD COBO 00520932
17	A31925	1	ELECTRIC WIRING 500 SERIES DIESEL
18	A43751	1	ARTICULATION CYLINDER COVER
19	A42805	2	PIVOT PIN, ARTICUL. CYLINDER, F30
20	A42773	1	CARPET PYRAMINE
21	A3958	1	DIPSTICK-BREATHER R 1 1/4"
22	73762	1	CONTROL DEVICE F7110 (HAND THROTTLE)
23	64106	1	SEAT PRAMA ART.205SC
	64121	1	SEAT, WITH SUSPENSION COBO SC40
24	64352	1	HEXAGONAL PLUG R 1/2" MAGNETIC
25	A42791	1	HYDR. CYLINDER F50/F30-172 LMIN=399
26	A43104	1	THROTTLE WIRE, HAND THROTTLE 2570/2850
27	72798	4	GREASE NIPPLE DIN 71412 R1/8" STRAIGHT
28	72151	4	HEXAGONAL SCREW M10* 30 DIN 933 ZN
29	72135	2	HEXAGONAL SCREW M 8* 40 DIN 931 ZN
30	72133	5	HEXAGONAL SCREW M 8* 30 DIN 933 ZN
31	73039	18	HEXAGONAL SCREW M 8* 16 DIN 933 ZN
32	72116	10	HEXAGONAL SCREW M 6* 12 DIN 933 ZN
33	74582	3	COUNTERSUNK SLOTHEAD SCREW M 4* 25
34	72322	4	HEXAGONAL NUT M10 DIN 985 ZNNYLOC
35	72320	9	HEXAGONAL NUT M 8 DIN 985 ZNNYLOC
36	72318	4	HEXAGONAL NUT M 6 DIN 985 ZNNYLOC
37	72313	3	HEXAGONAL NUT M 4 DIN 985 ZNNYLOC
38	74525	15	WASHER M 8 8,4*20*1,25 ZN
39	74423	4	WASHER M10 11 DIN 126
40	74523	6	WASHER M 6 6,5*20*1,25 ZN
41	73355	4	WASHER M 6 6,6 DIN 126 ZN
42	A45165	1	BRACKET

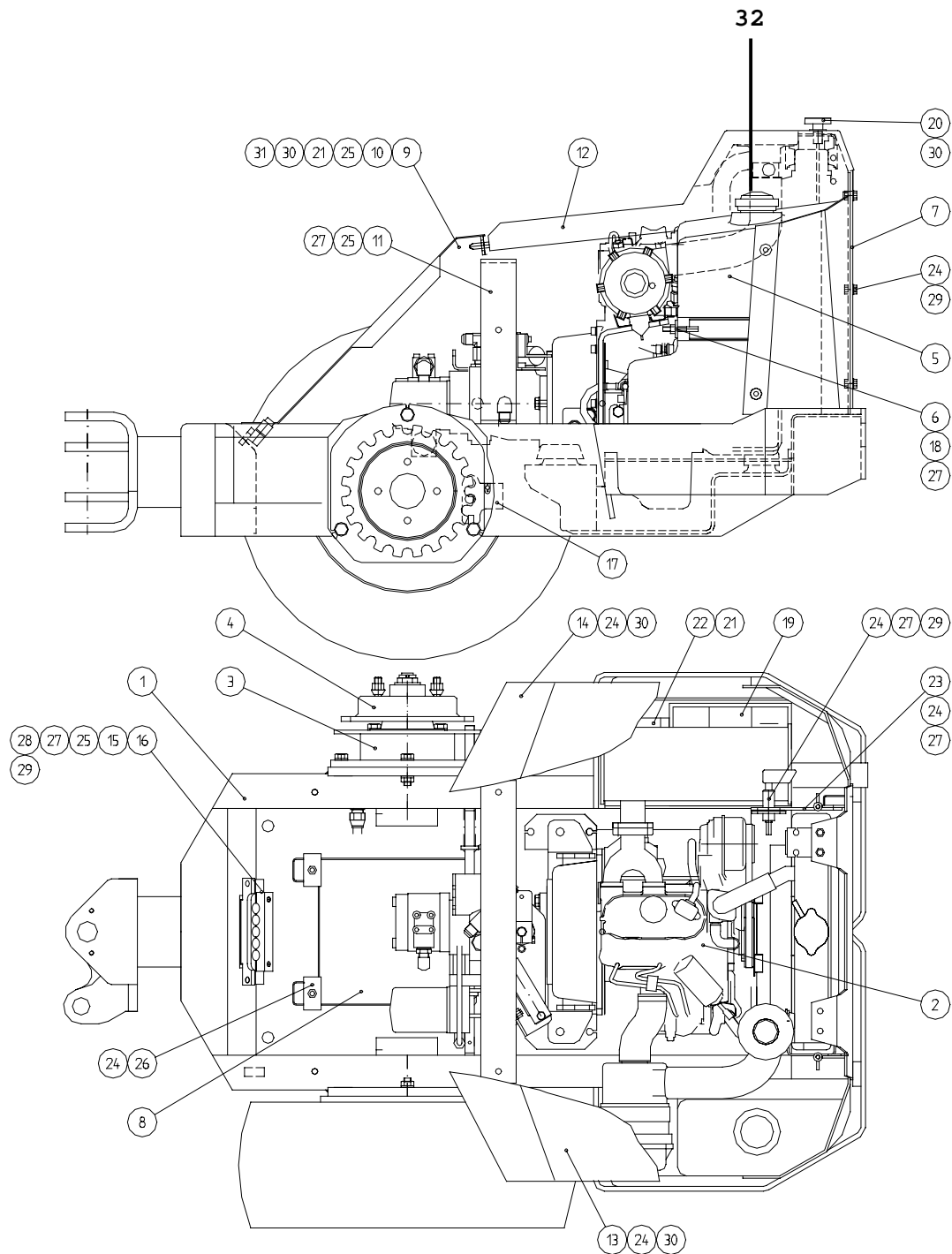
CHASSIS, REAR, AVANT 513 GX390 A2789



CHASSIS, REAR, AVANT 513 GX390 A2789

1	A2779	1	CHASSIS, REAR, WELD. 513/GX390
2	A31853	1	ENGINE, 513/HONDA GX390
3	A43974	2	HYDRAULIC MOTOR OMSW,
4	A43897	2	PARKING BRAKE DISC
5	A42870	1	FRONT COVER 513/GX390, LEFT
6	A42871	1	FRONT COVER 513/GX390, RIGHT
7	A44246	1	HOSE CLAMP , UPPER
8	A44244	1	HOSE CLAMP, LOWER
9	A44198	1	BATTERY SUPPORT
10	63828	1	BATTERY VARTA 12V 14AH
11	72130	5	HEXAGONAL SCREW M 8* 20 DIN 933 ZN
12	72133	4	HEXAGONAL SCREW M 8* 30 DIN 933 ZN
13	72135	2	HEXAGONAL SCREW M 8* 40 DIN 931 ZN
14	72320	6	HEXAGONAL NUT M 8 DIN 985 ZN NYLOC
15	72319	5	HEXAGONAL NUT M 8 DIN 934 ZN
16	64188	2	FINGER SCREW R5026M8S
17	73354	5	WASHER M 8 9 DIN 126 ZN
18	71685	2	WASHER M 8 R9 DIN 440 ZN
19	A31739	1	PARKING BRAKE,
20	A44199	1	BATTERY HOLDING CLAMP
21	A44206	1	CLEANING HATCH
22	A44210	2	PIVOT PIECE

CHASSIS, REAR, AVANT 514 Z482 A2997

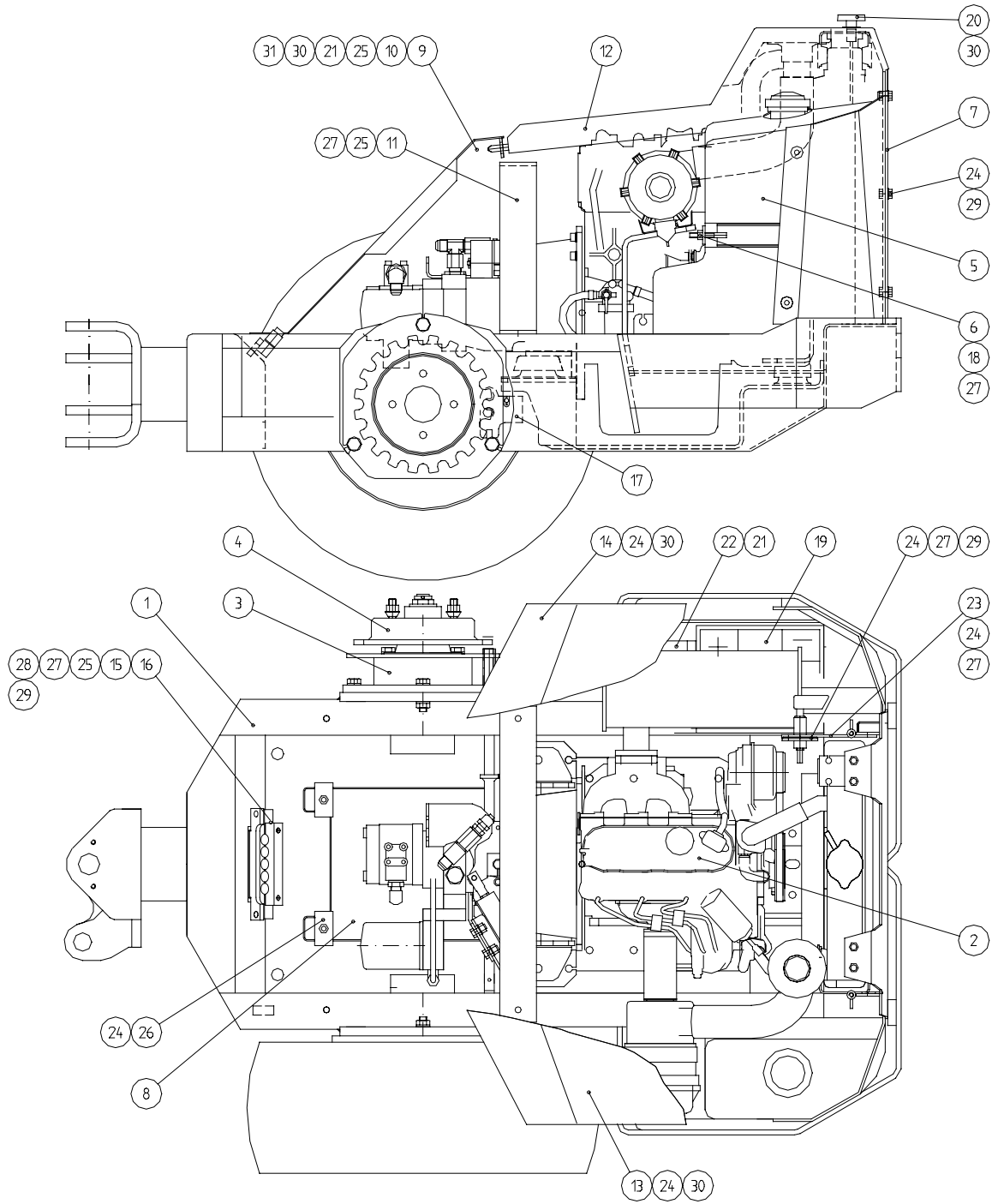




CHASSIS, REAR, AVANT 514 Z482 A2997

1	A2771	1	CHASSIS, REAR, WELD.
2	A2995	1	ENGINE, Z482 STD
3	A43974	2	HYDRAULIC MOTOR OMSW, OMS
4	A43897	2	PARKING BRAKE DISC
5	A44480	1	FUEL TANK 18 L
6	A43431	1	SUPPORT
7	A43407	1	NET
8	A44206	1	CLEANING HATCH
9	A43919	1	FRONT COVER PLATE, LEFT
10	A43920	1	FRONT COVER PLATE, RIGHT
11	A44086	1	RIVET
12	A45331	1	COVER PLATE, CENTER
13	A43921	1	SIDE PLATE, LEFT
14	A43922	1	SIDE PLATE, RIGHT
15	A44244	1	HOSE CLAMP, LOWER
16	A44246	1	HOSE CLAMP KP, UPPER
17	A31739	1	PARKING BRAKE,
18	A43432	1	SCREW ROD
19	64199	1	BATTERY 12V 48AH
20	64355	2	FINGER SCREW STAR SR 4522 M8
21	64188	3	FINGER SCREW R5026M8S
22	A44084	1	BATTERY HOLDING CLAMP
23	A44083	1	SUPPORT, BATTERY DISCONNECT SWITCH
24	72130	14	HEXAGONAL SCREW M 8* 20 DIN 933 ZN
25	72133	6	HEXAGONAL SCREW M 8* 30 DIN 933 ZN
26	A44210	2	PIVOT PIECE
27	72320	12	HEXAGONAL NUT M 8 DIN 985 ZN NYLOC
28	72135	2	HEXAGONAL SCREW M 8* 40 DIN 931 ZN
29	73354	10	WASHER M 8 9 DIN 126 ZN
30	71685	6	WASHER M 8 R9 DIN 440 ZN
31	64381	4	GROMMET F27/18/10,S=4H=11
32	A44481	1	FUEL GAUGE L=445

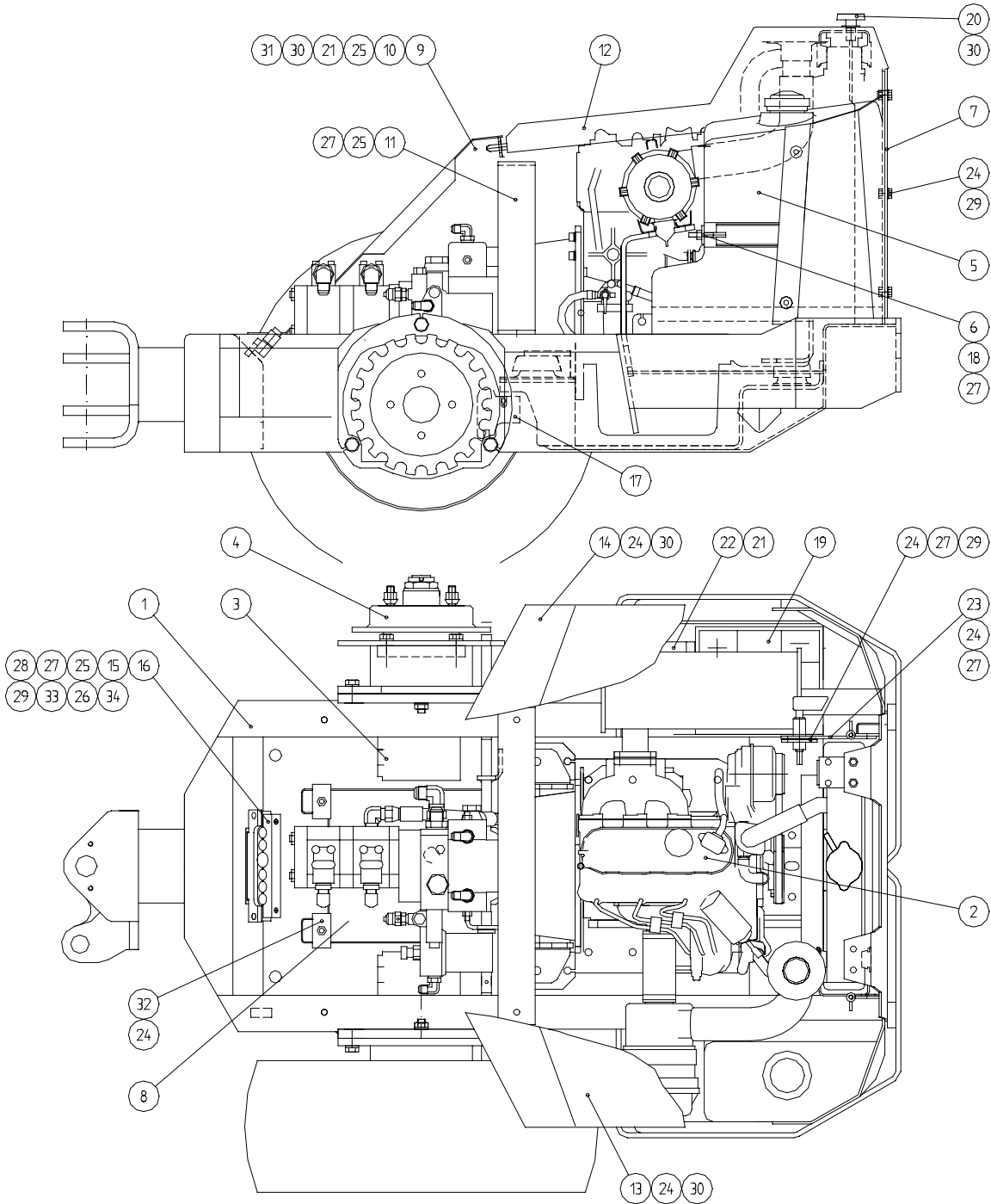
**CHASSIS, REAR, AVANT 520F A2996**



CHASSIS, REAR, AVANT 520F A2996

1	A2771	1	CHASSIS, REAR, WELD.
2	A2994	1	ENGINE, D722 STD
3	A43974	2	HYDRAULIC MOTOR OMSW, OMS
4	A43897	2	PARKING BRAKE DISC
5	A44480	1	FUEL TANK 18 L
6	A43431	1	SUPPORT
7	A43407	1	NET
8	A44206	1	CLEANING HATCH
9	A43919	1	FRONT COVER PLATE, LEFT
10	A43920	1	FRONT COVER PLATE, RIGHT
11	A44086	1	RIVET
12	A45331	1	COVER PLATE, CENTER
13	A43921	1	SIDE PLATE, LEFT
14	A43922	1	SIDE PLATE, RIGHT
15	A44244	1	HOSE CLAMP, LOWER
16	A44246	1	HOSE CLAMP KP, UPPER
17	A31739	1	PARKING BRAKE,
18	A43432	1	SCREW ROD
19	64199	1	BATTERY 12V 48AH
20	64355	2	FINGER SCREW STAR SR 4522 M8 17S
21	64188	3	FINGER SCREW R5026M8S
22	A44084	1	BATTERY HOLDING CLAMP
23	a44083	1	SUPPORT, BATTERY DISCONNECT SWITCH
24	72130	14	HEXAGONAL SCREW M 8* 20 DIN 933 ZN
25	72133	6	HEXAGONAL SCREW M 8* 30 DIN 933 ZN
26	A44210	2	PIVOT PIECE
27	72320	12	HEXAGONAL NUT M 8 DIN 985 ZNNYLOC
28	72135	2	HEXAGONAL SCREW M 8* 40 DIN 931 ZN
29	73354	10	WASHER M 8 9 DIN 126 ZN
30	71685	6	WASHER M 8 R9 DIN 440 ZN KORI
31	64381	4	GROMMET F27/18/10,S=4H=11

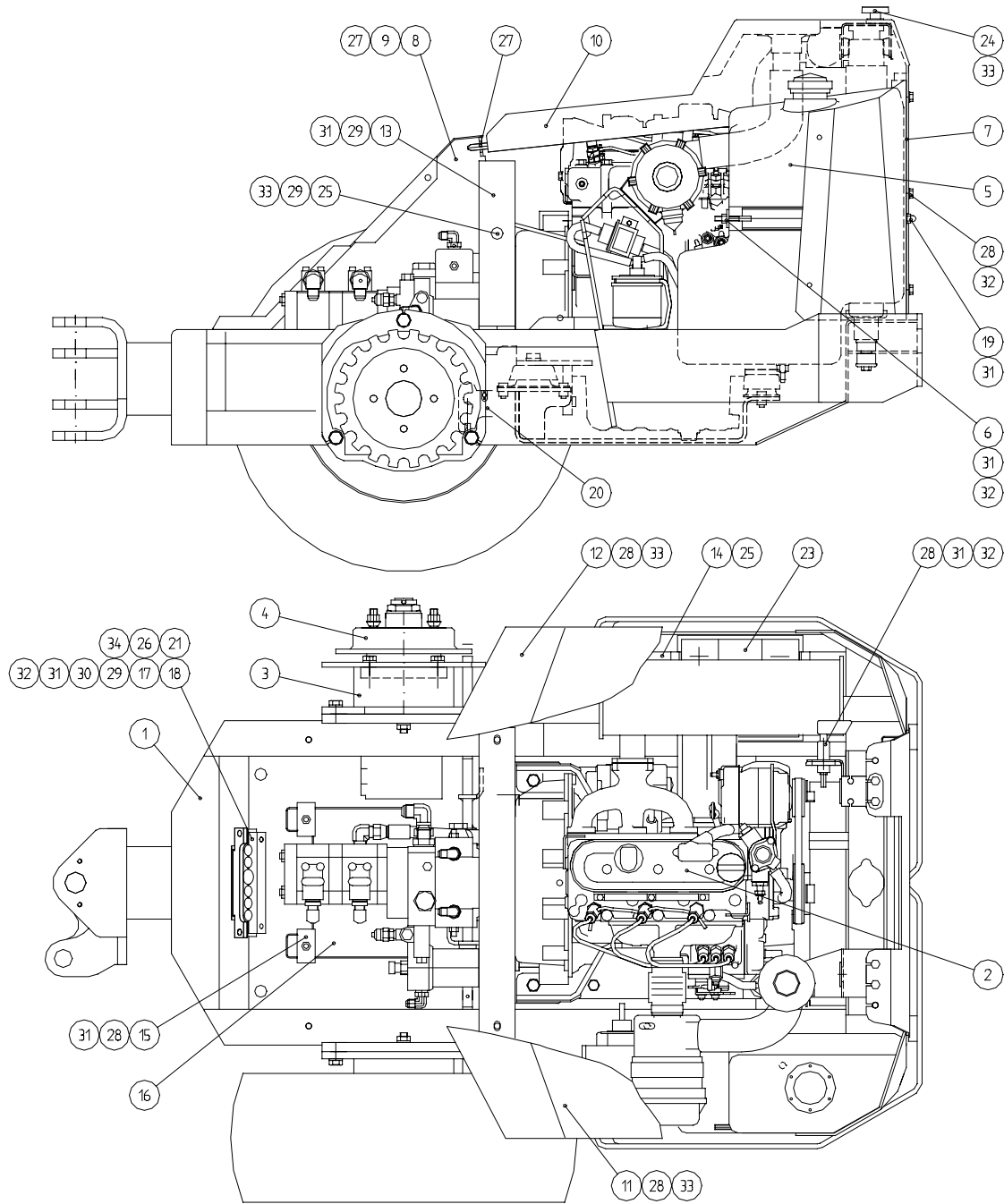
CHASSIS, REAR, AVANT 523+ A2984



CHASSIS, REAR, AVANT 523+ A2984

1	A2771	1	CHASSIS, REAR, WELD.
2	A2986	1	ENGINE, D722 523+
3	A45166	2	HYDRAULIC MOTOR OMT, OMT
4	A43897	2	PARKING BRAKE DISC
5	A44480	1	FUEL TANK 18 L
6	A43431	1	SUPPORT
7	A43407	1	NET
8	A44206	1	CLEANING HATCH
9	A43919	1	FRONT COVER PLATE, LEFT
10	A43920	1	FRONT COVER PLATE, RIGHT
11	A44086	1	RIVET
12	A45331	1	COVER PLATE, CENTER
13	A43921	1	SIDE PLATE, LEFT
14	A43922	1	SIDE PLATE, RIGHT
15	A45161	1	HOSE CLAMP 528 LOWER
16	A45162	1	HOSE CLAMP 528 UPPER
17	A32665	1	PARKING BRAKE, 528
18	A43432	1	SCREW ROD
19	64199	1	BATTERY 12V 48AH
20	64355	2	FINGER SCREW STAR SR 4522 M8
21	64188	3	FINGER SCREW R5026M8S
22	A44084	1	BATTERY HOLDING CLAMP
23	A44083	1	SUPPORT, BATTERY DISCONNECT SWITCH
24	72130	14	HEXAGONAL SCREW M 8* 20 DIN 933 ZN
25	72133	6	HEXAGONAL SCREW M 8* 30 DIN 933 ZN
26	72116	2	HEXAGONAL SCREW M 6* 12 DIN 933 ZN
27	72320	12	HEXAGONAL NUT M 8 DIN 985 ZNNYLOC
28	72135	2	HEXAGONAL SCREW M 8* 40 DIN 931 ZN
29	73354	10	WASHER M 8 9 DIN 126 ZN
30	71685	6	WASHER M 8 R9 DIN 440 ZN KORI
31	64381	4	GROMMET F27/18/10,S=4H=11
32	A44210	2	PIVOT PIECE
33	73355	2	WASHER M 6 6,6 DIN 126 ZN
34	A45165	1	BRACKET

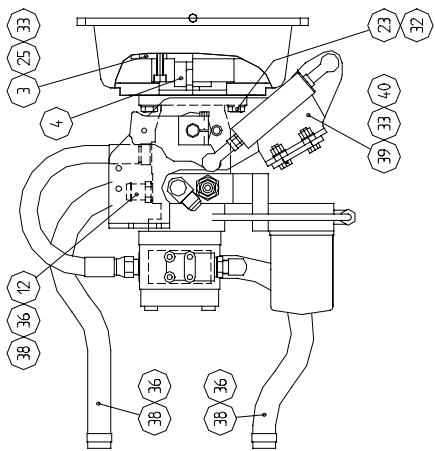
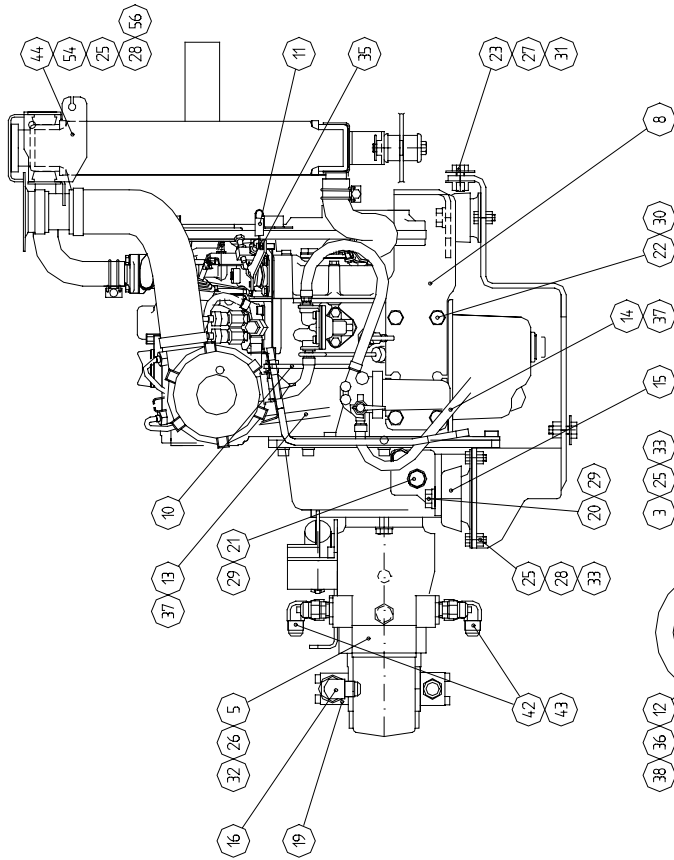
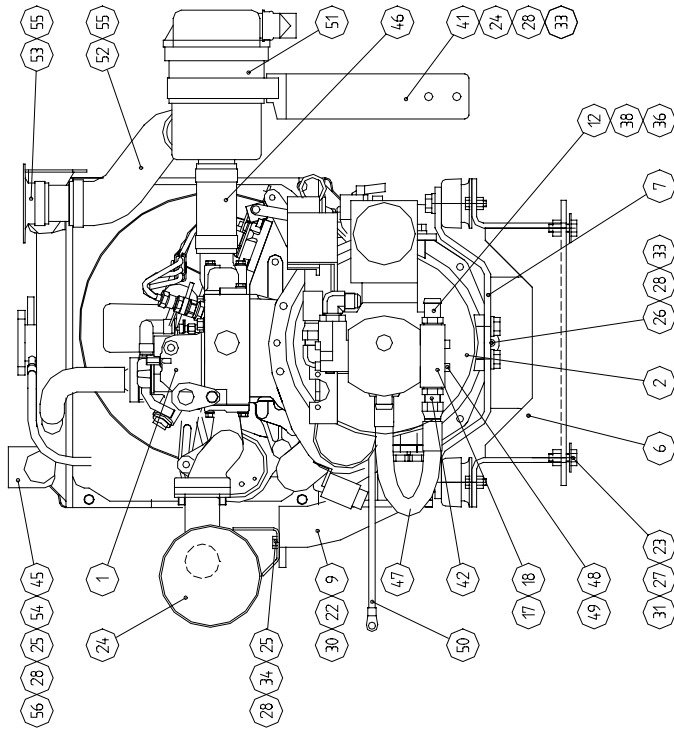
CHASSIS, REAR, AVANT 530+ A2982



CHASSIS, REAR, AVANT 530+ A2982

1	A2920	1	CHASSIS, REAR,
2	A2980	1	ENGINE, D1105/V250
3	A45166	2	HYDRAULIC MOTOR OMT, OMT
4	A43897	2	PARKING BRAKE DISC
5	A44480	1	FUEL TANK 18 L
6	A43431	1	SUPPORT
7	A44313	1	NET, REAR
8	A43919	1	FRONT COVER PLATE, LEFT
9	A43920	1	FRONT COVER PLATE, RIGHT
10	A45340	1	TOP COVER
11	A44316	1	SIDE PLATE, LEFT
12	A44317	1	SIDE PLATE, RIGHT
13	A44086	1	RIVET
14	A44084	2	BATTERY HOLDING CLAMP
15	A44210	2	PIVOT PIECE
16	A44206	1	CLEANING HATCH
17	A45161	1	HOSE CLAMP 528 LOWER
18	A45162	1	HOSE CLAMP 528 UPPER
19	A44463	1	SCREW ROD L=322
20	A32665	1	PARKING BRAKE, 528
21	A45165	1	BRACKET
22	A43210	1	EAR, UPPER, RADIATOR, STD
23	64199	1	BATTERY 12V 48AH
24	64355	2	FINGER SCREW STAR SR 4522 M8 17S
25	64188	4	FINGER SCREW R5026M8S
26	72116	2	HEXAGONAL SCREW M 6* 12 DIN 933 ZN
27	64381	4	GROMMET F27/18/10,S=4H=11
28	72130	14	HEXAGONAL SCREW M 8* 20 DIN 933 ZN
29	72133	6	HEXAGONAL SCREW M 8* 30 DIN 933 ZN
30	72135	2	HEXAGONAL SCREW M 8* 40 DIN 931 ZN
31	72320	11	HEXAGONAL NUT M 8 DIN 985 ZN NYLOC
32	73354	10	WASHER M 8 9 DIN 126 ZN
33	71685	8	WASHER M 8 R9 DIN 440 ZN
34	73355	2	WASHER M 6 6,6 DIN 126 ZN

**ENGINE, Z482/514 A2995**

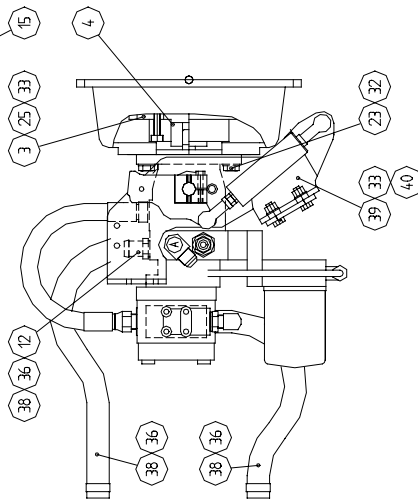
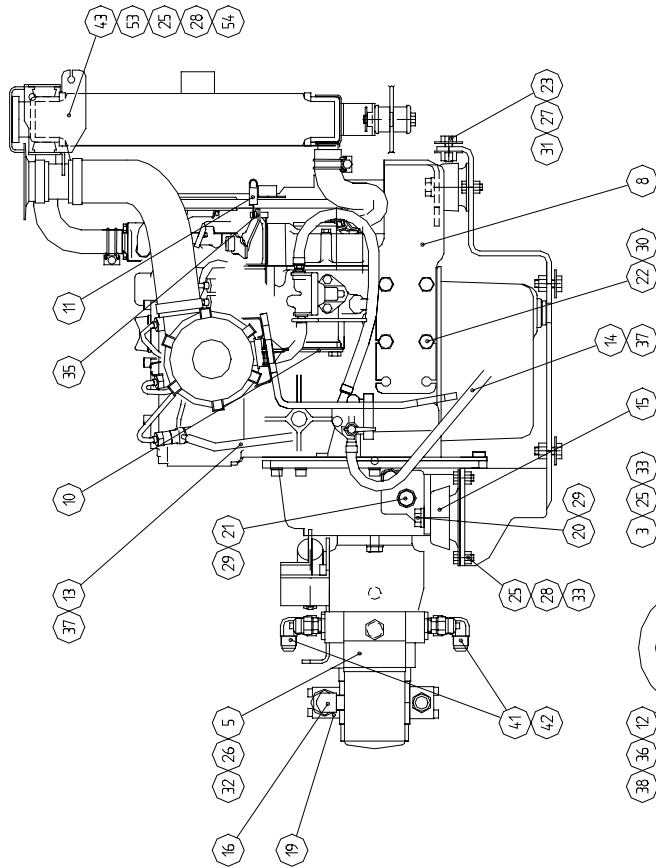
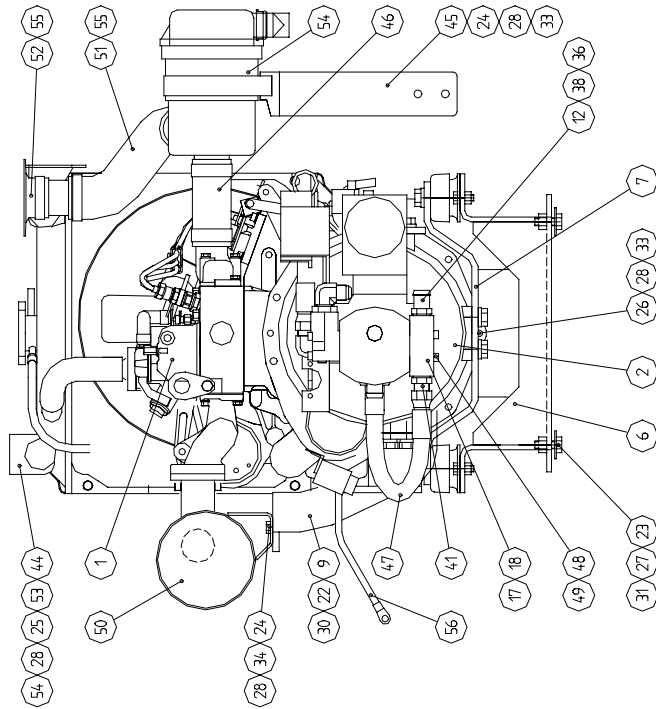




ENGINE, Z482/514 A2995

1	64183	1	DIESEL ENGINE KUBOTA Z482 14 HP
2	64555	1	BELL HOUSING EAK4986 NSM SAE-A
3	A44462	1	ADAPTER CENTAFLEX 4
4	64608	1	COUPLING CENTAFLEX A004-Z=11
5	64622	1	VARIABLE DISPLACEMENT PUMP AXIAL V013+6 Z=11
6	A43529	1	ENGINE CRADLE Z482
7	A43522	1	ENGINE MOUNTING PLATE, REAR
8	A43523	1	ENGINE MOUNTING PLATE, FRONT
9	A44790	1	SUPPORT, EXHAUST MUFFLER
10	A42156	1	EAR, THROTTLE WIRE
11	A43527	1	RETAINING SPRING, THROTTLE, L=40
12	64110	2	HOSE FITTING R1/2"UK - 19 MM L=44
13	A43032	1	FUEL HOSE, RETURN L= 400
14	A43031	1	FUEL HOSE, L= 400
15	63656	3	VIBRATION DAMPER 17-1600-1M65
16	64166	1	ELBOW FITTING 90 DEGREE C40XS10-1/2"
17	74593	1	O-RING NBR F 22,2*3,0
18	A44178	1	INLET PORT
19	64298	1	PRESSURE FLANGE 1GB12 (R1/2"-F35 AL)
20	73042	3	HEXAGONAL SCREW M12* 35 DIN 933 ZN
21	72165	6	HEXAGONAL SCREW M12* 20 DIN 933 ZN
22	73936	8	HEXAGONAL SCREW M10*1,25 -25 DIN 961
23	72151	8	HEXAGONAL SCREW M10* 30 DIN 933 ZN
24	A44768	1	EXHAUST MUFFLER KUB D722 9500 0022
25	72130	21	HEXAGONAL SCREW M 8* 20 DIN 933 ZN
26	73100	6	HEXAGONAL HEAD SCREW M8* 30 DIN 912 ZN
27	72322	6	HEXAGONAL NUT M 10 DIN 985 NYLOC
28	72320	14	HEXAGONAL NUT M 8 DIN 985 ZNNYLOC
29	73613	9	WASHER M12 A12 DIN 127 ZN JOUSI
30	73612	8	WASHER M10 A10 DIN 127 ZN JOUSI
31	73018	6	WASHER M10 R11 DIN 440 ZN KORI
32	74531	2	WASHER, PAIR M10 NL10 NORDLOCK
33	73962	14	WASHER M 8 A8 DIN 127 ZN JOUSI
34	71685	2	WASHER M 8 R9 DIN 440 ZN KORI
35	74415	1	SCREW FITTING 128.244 S&N
36	73530	4	HOSE CLAMP ABA 22-32 MM ZN
37	74405	4	HOSE CLAMP MINI ABA 13MM
38	A44212	2	INLET HOSE F20 L=900
39	A32672	1	VARIABLE DISPLACEMENT PUMP CONTROL UNIT
40	74480	2	HEXAGONAL HEAD SCREW M 8* 16 DIN 912
41	A44060	1	CLAMP, AIR FILTER
42	64058	3	BASIC FITTING F40XS12-1/2
43	64134	2	ELBOW FITTING 90 DEGREE C6XS12
44	A45329	1	CONNECTING PIECE
45	A43210	1	EAR, UPPER, RADIATOR, STD
46	64558	1	INLET HOSE F44/F40-135
47	A44200	1	HYDRAULIC HOSE L=340 1LW-06 OUTS.THREAD 3/8"-JIC12
48	74438	4	HEXAGONAL HEAD SCREW M 6* 40 DIN 912
49	74452	4	WASHER M 6 A6 DIN 127 ZN JOUSI
50	A43543	1	CABLE BATTERY DISCONN. SWITCH / BATTERY
51			
52	A45324	1	INLET HOSE
53	A45332	1	RUBBER LIP
54	64369	4	RUBBER PLUG 201160 F40/F25-16 S=3
55			
56	73354	4	WASHER M 8 9 DIN 126 ZN

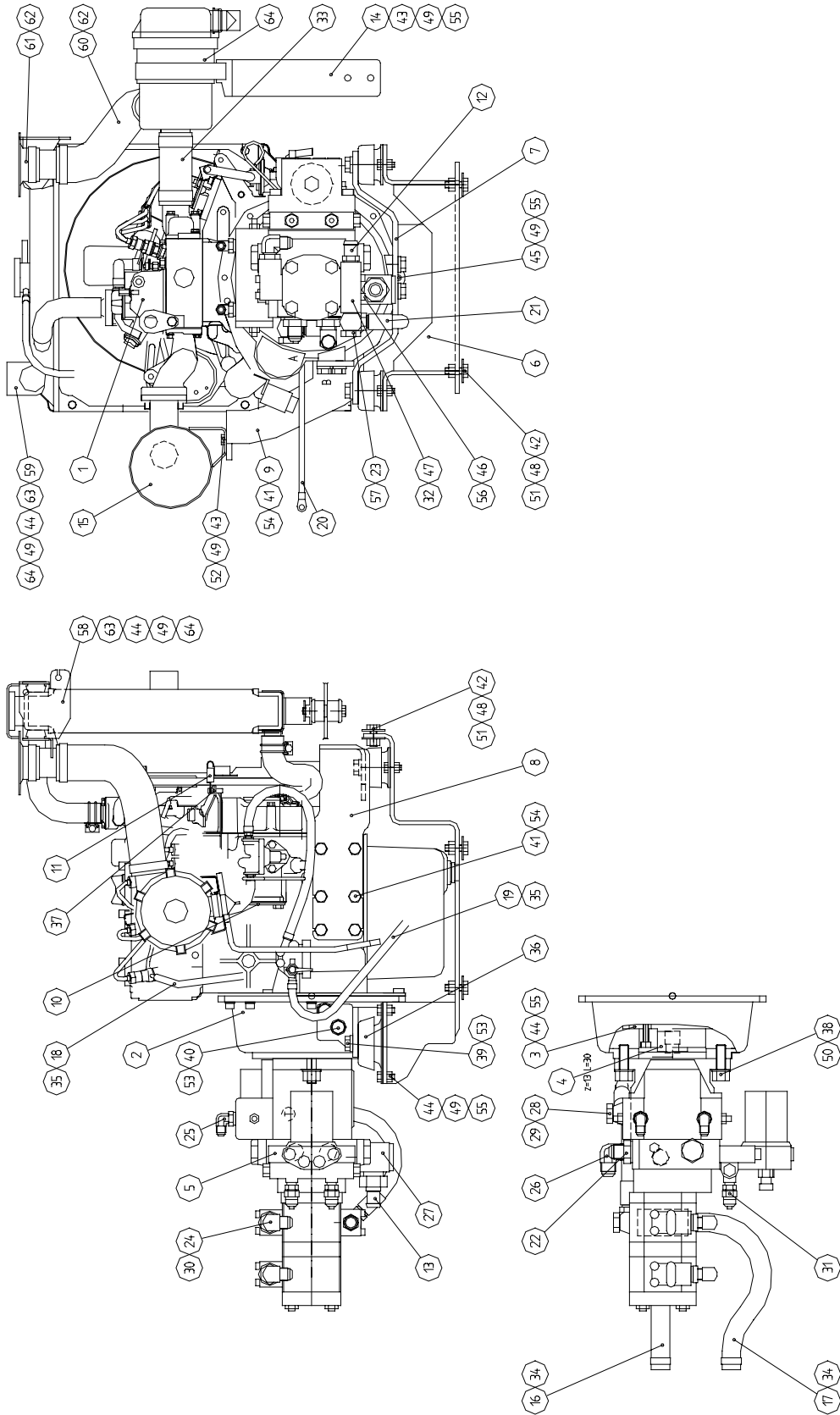
**ENGINE, D722/520F A2994**



ENGINE, D722/520F A2994

1	64182	1	DIESEL ENGINE	KUBOTA D722 20HP
2	64555	1	BELL HOUSING EAK4986 NSM SAE-A	
3	A44462	1	ADAPTER CENTAFLEX 4	
4	64608	1	COUPLING CENTAFLEX A004-1-Z=11	
5	64652	1	VARIABLE DISPLACEMENT PUMP AXIAL V013+8,5 Z11	
6	A43524	1	ENGINE CRADLE D722	
7	A43522	1	ENGINE MOUNTING PLATE, REAR	
8	A43523	1	ENGINE MOUNTING PLATE, FRONT	
9	A44790	1	SUPPORT, EXHAUST MUFFLER	
10	A42156	1	EAR, THROTTLE WIRE	
11	A43527	1	RETAINING SPRING, THROTTLE, L=40	
12	64110	2	HOSE FITTING R1/2"UK - 19 MM L=44	
13	A43032	1	FUEL HOSE, RETURN L= 400	
14	A43031	1	FUEL HOSE, L= 400	
15	63656	3	VIBRATION DAMPER	17-1600-1M65
16	64166	1	ELBOW FITTING 90 DEGREE C40XS10-1/2"	
17	74593	1	O-RING	NBR F 22,2*3,0
18	A44178	1	INLET PORT	
19	64298	1	PRESSURE FLANGE	1GB12 (R1/2"-F35 AL)
20	73042	3	HEXAGONAL SCREW	M12* 35 DIN 933 ZN
21	72165	6	HEXAGONAL SCREW	M12* 20 DIN 933 ZN
22	73936	8	HEXAGONAL SCREW	M10*1,25 -25 DIN 961
23	72151	8	HEXAGONAL SCREW	M10* 30 DIN 933 ZN
24	72132	8	HEXAGONAL SCREW	M 8* 25 DIN 933 ZN
25	72130	15	HEXAGONAL SCREW	M 8* 20 DIN 933 ZN
26	73100	6	HEXAGONAL HEAD SCREW	M8* 30 DIN 912 ZN
27	72322	6	HEXAGONAL NUT	M 10 DIN 985 NYLOC
28	72320	16	HEXAGONAL NUT	M 8 DIN 985 ZNNYLOC
29	73613	9	WASHER	M12 A12 DIN 127 ZN JOUSI
30	73612	8	WASHER	M10 A10 DIN 127 ZN JOUSI
31	73018	6	WASHER	M10 R11 DIN 440 ZN KORI
32	74531	2	WASHER, PAIR	M10 NL10 NORDLOCK
33	73962	14	WASHER	M 8 A8 DIN 127 ZN JOUSI
34	71685	2	WASHER	M 8 R9 DIN 440 ZN KORI
35	74415	1	SCREW FITTING	128.244 S&N
36	73530	4	HOSE CLAMP	ABA 22-32 MM ZN
37	74405	4	HOSE CLAMP	MINI ABA 13MM
38	A43030	2	INLET HOSE	F20 L=850
39	A32672	1	VARIABLE DISPLACEMENT PUMP CONTROL UNIT	
40	74480	2	HEXAGONAL HEAD SCREW	M 8* 16 DIN 912
41	64058	3	BASIC FITTING	F40XS12-1/2
42	64134	2	ELBOW FITTING 90 DEGREE	C6XS12
43	A45329	1	CONNECTING PIECE	
44	A43210	1	EAR, UPPER, RADIATOR, STD	
45	A44060	1	CLAMP, AIR FILTER	
46	64558	1	INLET HOSE	F44/F40-135
47	A44200	1	HYDRAULIC HOSE	L=340 1LW-06 OUTS. THR. 3/8"-JIC12
48	74438	4	HEXAGONAL HEAD SCREW	M 6* 40 DIN 912
49	74452	4	WASHER	M 6 A6 DIN 127 ZN JOUSI
50	A44768	1	EXHAUST MUFFLER	KUB D722 9500 0022
51	A45324	1	INLET HOSE	
52	A45332	1	RUBBER LIP	
53	64369	4	RUBBER PLUG	201160 F40/F25-16 S=3
54	73354	4	WASHER	M 8 9 DIN 126 ZN
55				
56	A43543	1	CABLE BATTERY DISCONN. SWITCH / BATTERY	

ENGINE, D722/523+ A2986

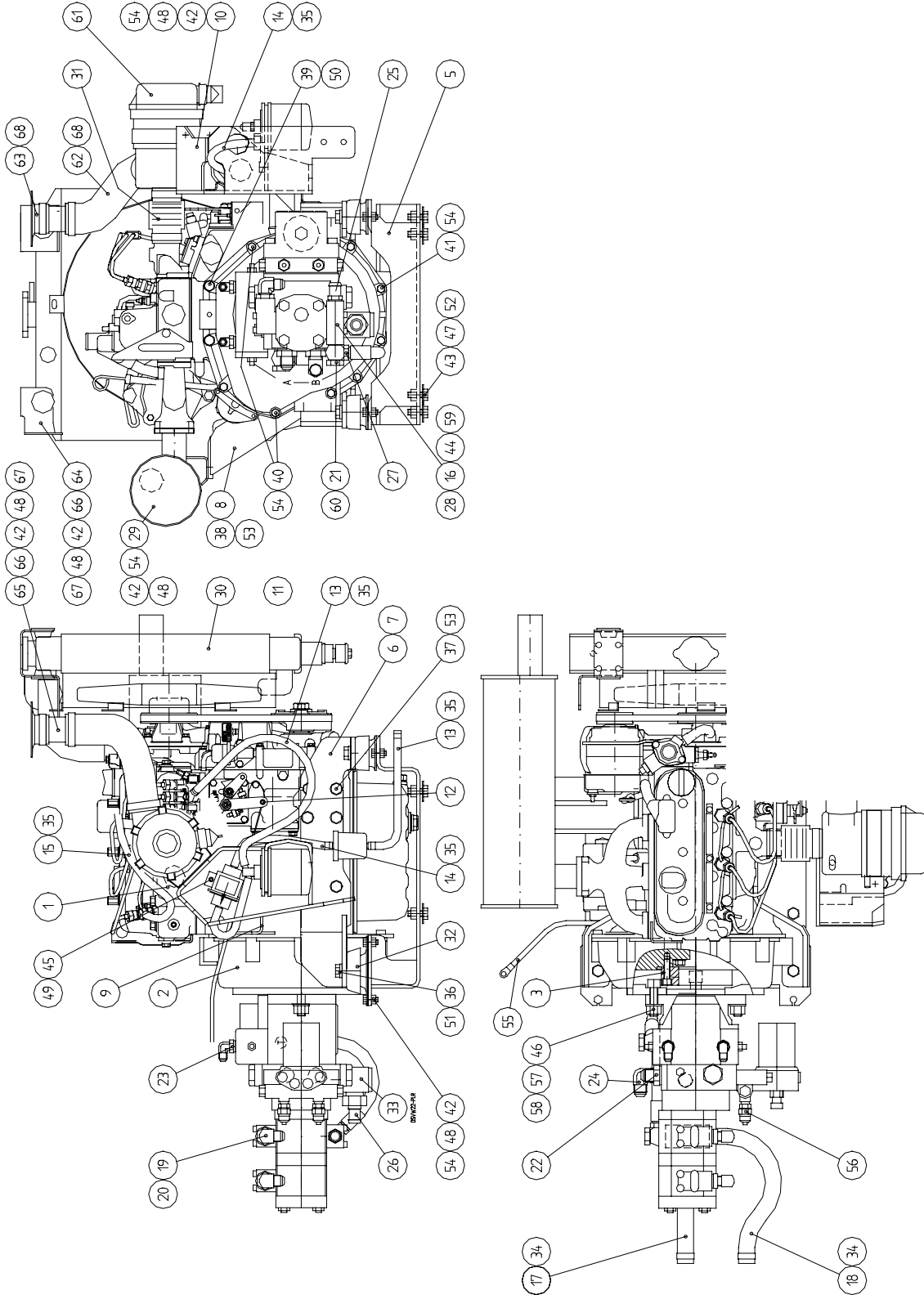


ENGINE, D722/523+ A2986

1	64182	1	DIESEL ENGINE	KUBOTA D722 20HP
2	64375	1	BELL HOUSING KUBOTA SAE B 2PU REX	
3	A44462	1	ADAPTER CENTAFLEX 4	
4	64686	1	COUPLING CENTAFLEX A004-1-Z=13	
5	64685	1	VARIABLE DISPLACEMENT PUMP AXIAL V250+6+4	Z=13
6	A43524	1	ENGINE CRADLE D722	
7	A43522	1	ENGINE MOUNTING PLATE, REAR	
8	A43523	1	ENGINE MOUNTING PLATE, FRONT	
9	A44790	1	SUPPORT, EXHAUST MUFFLER	
10	A42156	1	EAR, THROTTLE WIRE	
11	A43527	1	RETAINING SPRING, THROTTLE, L=40	
12	64110	1	HOSE FITTING R1/2"UK - 19 MM L=44	
13	A43056	1	HOSE FITTING	
14	A44060	1	CLAMP, AIR FILTER	
15	A44768	1	EXHAUST MUFFLER KUB D722 9500 0022	
16	A42534	1	INLET HOSE	
17	A43030	1	INLET HOSE F20 L=850	
18	A43032	1	FUEL HOSE, RETURN L= 400	
19	A43031	1	FUEL HOSE, L= 400	
20	A43543	1	CABLE BATTERY DISCONN. SWITCH / BATTERY	
21	A45151	1	HYDRAULIC HOSE L=3201LW-08 BANJO	
22	64692	1	BASIC FITTING F40XS16-3/4	
23	73959	2	BANJO BOLT R 1/2"	
24	64166	2	ELBOW FITTING 90 DEGREE C40XS10-1/2"	
25	64087	2	ELBOW FITTING 90 DEGREE C40XS10-1/4"	
26	64693	1	ELBOW FITTING 90 DEGREE C40XS16-3/4"	
27	64688	1	BANJO FITTING DSVW 22-PLR	
28	73959	1	BANJO BOLT R 1/2"	
29	73047	2	USIT SEAL RING R1/2"	
30	64298	2	PRESSURE FLANGE 1GB12 (R1/2"-F35 AL)	
31	64637	2	MANOMETER FITTING R1/8"	
32	74593	1	O-RING NBR F 22,2*3,0	
33	64558	1	INLET HOSE F44/F40-135	
34	73530	4	HOSE CLAMP ABA 22-32 MM ZN	
35	74405	4	HOSE CLAMP MINI ABA 13MM	
36	63656	3	VIBRATION DAMPER 17-1600-1M65	
37	74415	1	SCREW FITTING 128.244 S&N	
38	72184	2	HEXAGONAL SCREW M14* 40 DIN 933 ZN	
39	73042	3	HEXAGONAL SCREW M12* 35 DIN 933 ZN	
40	72165	6	HEXAGONAL SCREW M12* 20 DIN 933 ZN	
41	73936	8	HEXAGONAL SCREW M10*1,25 -25 DIN 961	
42	72151	6	HEXAGONAL SCREW M10* 30 DIN 933 ZN	
43	72132	10	HEXAGONAL SCREW M 8* 25 DIN 933 ZN	
44	72130	15	HEXAGONAL SCREW M 8* 20 DIN 933 ZN	
45	73100	6	HEXAGONAL HEAD SCREW M8* 30 DIN 912	
46	74438	4	HEXAGONAL HEAD SCREW M 6* 40 DIN 912	
47	A44178	1	INLET PORT	
48	72322	6	HEXAGONAL NUT M 10 DIN 985 NYLOC	
49	72320	18	HEXAGONAL NUT M 8 DIN 985 ZNNYLOC	
50	74690	2	WASHER, PAIR M14 NL14 NORDLOCK	
51	73018	6	WASHER M10 R11 DIN 440 ZN KORI	
52	71685	2	WASHER M 8 R9 DIN 440 ZN KORI	
53	73613	9	WASHER M12 A12 DIN 127 ZN JOUSI	
54	73612	10	WASHER M10 A10 DIN 127 ZN JOUSI	
55	73962	14	WASHER M 8 A8 DIN 127 ZN JOUSI	
56	74452	4	WASHER M 6 A6 DIN 127 ZN JOUSI	
57	73047	4	USIT SEAL RING R1/2"	
58	A45329	1	CONNECTING PIECE	
59	A43210	1	EAR, UPPER, RADIATOR, STD	
60	A45324	1	INLET HOSE	

61	A45332	1	RUBBER LIP
62			
63	64369	4	RUBBER PLUG 201160 F40/F25-16 S=3
64	73354	4	

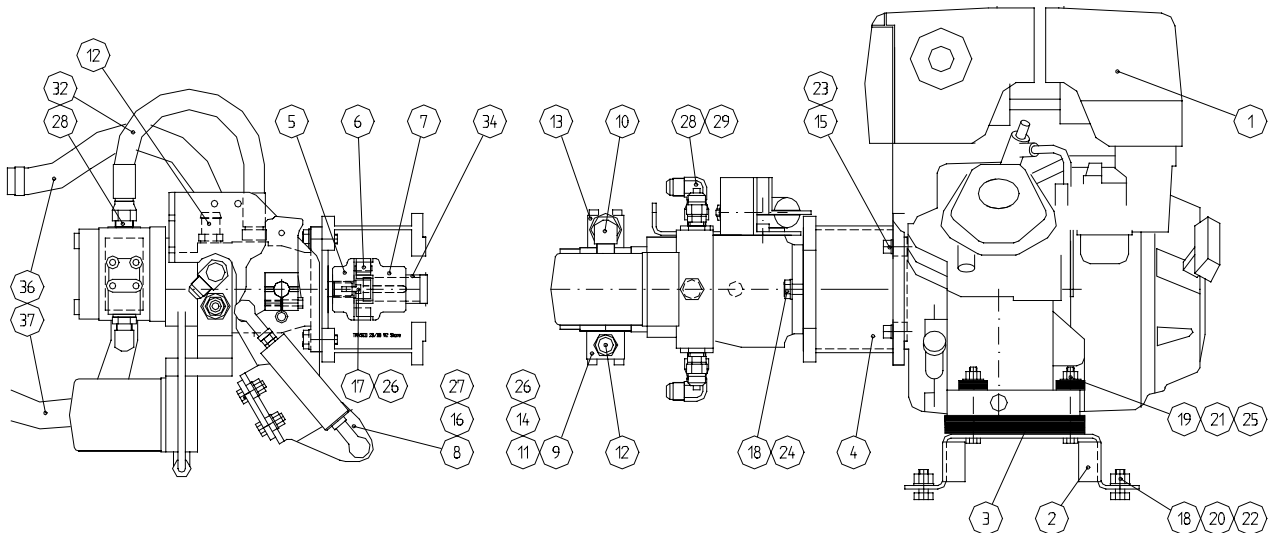
**ENGINE, D1105/530+ A2980**



ENGINE, D1105/530+ A2980

1	64596	1	DIESEL ENGINE KUBOTA D1105-B
2	64691	1	BELL HOUSING EAK S05 SAE-B101,6
3	64690	1	COUPLING EAK 16/32 Z=13
4	64689	1	VARIABLE DISPLACEMENT PUMP AXIAL V250+8+6 Z=13
5	A44304	1	ENGINE CRADLE
6	A44301	1	ENGINE MOUNTING PLATE, LEFT
7	A44302	1	ENGINE MOUNTING PLATE, RIGHT
8	A44779	1	SUPPORT, EXHAUST MUFFLER D1105
9	A44438	1	EAR, THROTTLE WIRE
10	A44456	1	CLAMP, AIR FILTER
11	A4366	1	RETAINING SPRING SF-DF 1,2*10*90
12	74415	1	SCREW FITTING 128.244 S&N
13	A43031	2	FUEL HOSE, L= 400
14	A44478	2	FUEL HOSE, L= 120
15	A43032	1	FUEL HOSE, RETURN L= 400
16	A44178	1	INLET PORT
17	A42534	1	INLET HOSE
18	A43030	1	INLET HOSE F20 L=850
19	64298	2	PRESSURE FLANGE 1GB12 (R1/2"-F35 AL)
20	64166	2	ELBOW FITTING 90 DEGREE C40XS10-1/2"
21	73959	2	BANJO BOLT R 1/2"
22	64692	1	BASIC FITTING F40XS16-3/4
23	64087	2	ELBOW FITTING 90 DEGREE C40XS10-1/4"
24	64693	1	ELBOW FITTING 90 DEGREE C40XS16-3/4"
25	64110	1	HOSE FITTING R1/2"UK - 19 MM L=44
26	A43056	1	HOSE FITTING
27	A45151	1	HYDRAULIC HOSE L=3201LW -08 BANJO
28	74593	1	O-RING NBR F 22,2*3,0
29	A44769	1	EXHAUST MUFFLER KUB D1105 9500 0023
30	64606	1	RADIATOR KUB.16679-72001 F388
31	64558	1	INLET HOSE F44/F40-135
32	63656	4	VIBRATION DAMPER 17-1600-1M65
33	64688	1	BANJO FITTING DSVW 22-PLR
34	73530	2	HOSE CLAMP ABA 22-32 MM ZN
35	74405	10	HOSE CLAMP MINI ABA 13MM
36	73042	4	HEXAGONAL SCREW M12* 35 DIN 933 ZN
37	73936	8	HEXAGONAL SCREW M10*1,25 -25 DIN 961
38	74687	4	HEXAGONAL SCREW M10*1,25 -30 DIN 961
39	74688	2	HEXAGONAL SCREW M10*1,25 -60 DIN 960
40	72143	2	HEXAGONAL SCREW M 8* 80 DIN 931 ZN
41	72139	6	HEXAGONAL SCREW M 8* 60 DIN 931 ZN
42	72132	20	HEXAGONAL SCREW M 8* 25 DIN 933 ZN
43	72151	4	HEXAGONAL SCREW M10* 30 DIN 933 ZN
44	74438	4	HEXAGONAL HEAD SCREW M 6* 40 DIN 912
45	73766	2	HEXAGONAL HEAD SCREW M 6* 16 DIN 912
46	74689	2	HEXAGONAL HEAD SCREW M14* 50 DIN 912
47	72322	4	HEXAGONAL NUT M10 DIN 985 ZNNYLOC
48	72320	20	HEXAGONAL NUT M 8 DIN 985 ZNNYLOC
49	72318	2	HEXAGONAL NUT M 6 DIN 985 ZNNYLOC
50	74531	2	WASHER, PAIR M10 NL10 NORDLOCK
51	74532	6	WASHER, PAIR M12 NL12 NORDLOCK
52	73018	4	WASHER M10 R11 DIN 440 ZN KORI
53	73612	12	WASHER M10 A10 DIN 127 ZN JOUSI
54	73962	14	WASHER M 8 A8 DIN 127 ZN JOUSI
55	A43543	1	CABLE BATTERY DISCONN. SWITCH / BATTERY
56	64637	2	MANOMETER FITTING R1/82
57	72327	2	HEXAGONAL NUT M14 DIN 985ZNNYLOC
58	74690	2	WASHER, PAIR M14 NL14 NORDLOCK
59	74452	4	WASHER M 6 A6 DIN 127 ZN JOUSI
60	73047	4	USIT SEAL RING R1/2"

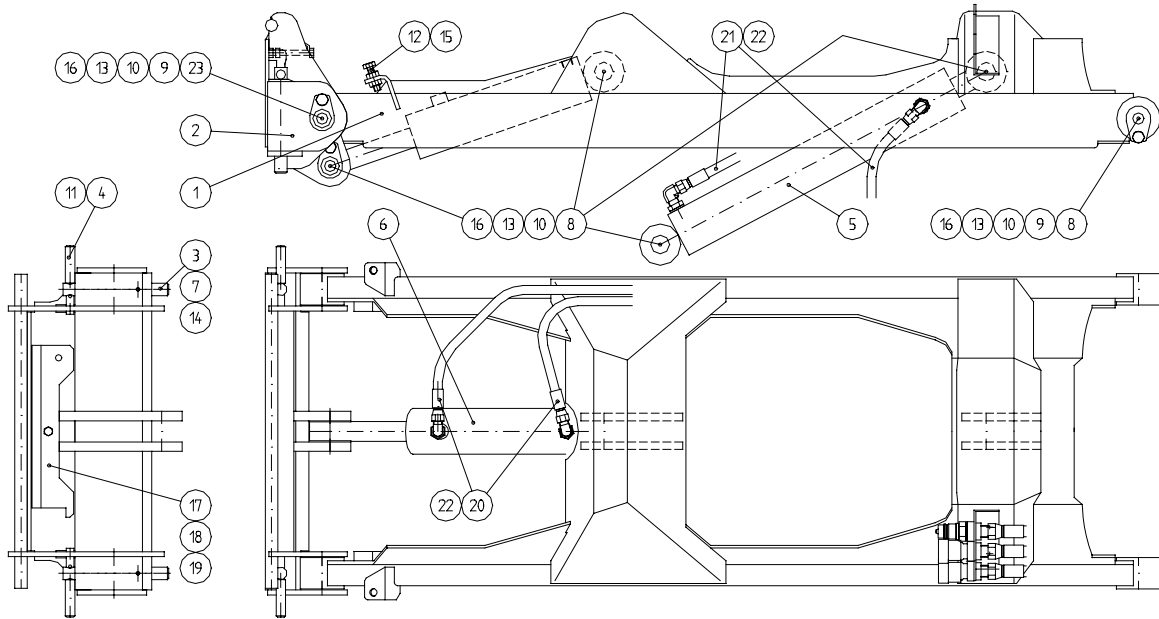
61		
62	A45324	1 INLET HOSE
63	A45332	1 RUBBER LIP
64	A44427	1 SUPPORT, BATTERY DISCONNECT SWITCH
65	A45336	1 CONNECTING PIECE
66	64369	4 RUBBER PLUG 201160 F40/F25-16 S=3
67	73354	4 WASHER M 8 9 DIN 126 ZN
68		

**ENGINE, GX390/513 A31853**

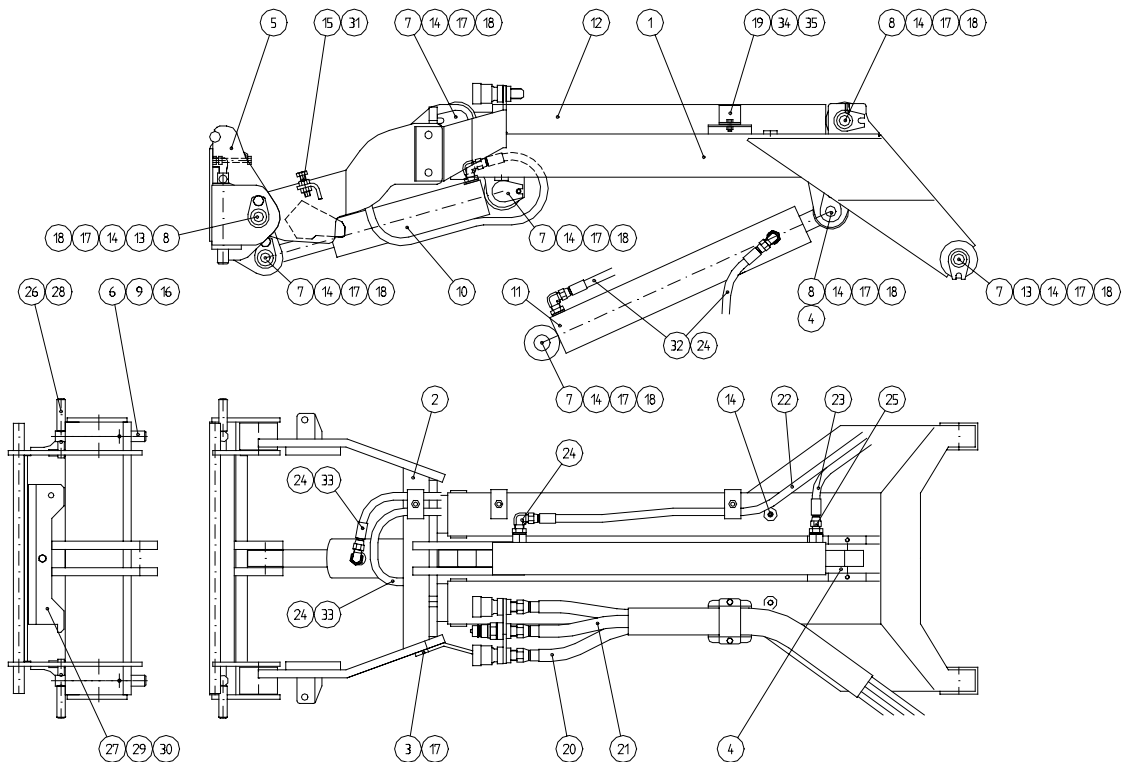
1	64124	1 PETROL ENGINE HONDA GX390 (12V 25W)
2	A42849	1 ENGINE SUPPORT PLATE GX390
3	A4431	2 VIBRATION DAMPER, RUBBER
4	A44641	1 BELL HOUSING Z=11
5	A44627	1 COUPLING, PUMP SIDE Z=11
6	64597	1 RUBBER RING IN COUPLING, TRASCO
7	A44017	1 COUPLING, ENGINE SIDE, F25
8	A32672	1 VARIABLE DISPLACEMENT PUMP CONTROL UNIT
9	A44178	1 INLET PORT
10	64166	1 ELBOW FITTING 90 DEGREE C40XS10-1/2"
11	74593	1 O-RING NBR F 22,2*3,0
12	64110	2 HOSE FITTING R1/2"UK - 19 MM L=44
13	64298	1 PRESSURE FLANGE 1GB12 (R1/2"-F35 AL)
14	74438	4 HEXAGONAL HEAD SCREW M6* 40 DIN 912 ZN
15	71884	3 HEXAGONAL HEAD SCREW M8* 25 DIN 912 ZN
16	74480	2 HEXAGONAL HEAD SCREW M8* 16 DIN 912 ZN
17	74471	1 HEXAGONAL HEAD SCREW M5* 10 DIN 912 ZN
18	72151	6 HEXAGONAL SCREW M10* 30 DIN 933 ZN
19	72143	4 HEXAGONAL SCREW M 8* 80 DIN 931 ZN
20	72322	4 HEXAGONAL NUT M10 DIN 985 ZNNYLOC
21	72320	4 HEXAGONAL NUT M 8 DIN 985 ZNNYLOC
22	73121	4 WASHER M10 A10,5 DIN 125 ZN
23	73962	4 WASHER M 8 A8 DIN 127 ZN JOUSI
24	74531	2 WASHER, PAIR M10 NL10 NORDLOCK
25	71685	4 WASHER M 8 R9 DIN 440 ZN KORI
26	74452	2 WASHER M 6 A6 DIN 127 ZN JOUSI
27	73962	2 WASHER M 8 A8 DIN 127 ZN JOUSI
28	64058	3 BASIC FITTING F40XS12-1/2
29	64134	2 ELBOW FITTING 90 DEGREE C6XS12
32	A44200	1 HYDRAULIC HOSE L=340 1LW-06
34	A45447	1 DISTANCE BUSHING F35/F25.3-20.5
35	64622	1 VARIABLE DISPLACEMENT PUMP V013+6 Z11
36	A43030	2 INLET HOSE F20 L=850
37	73530	4 HOSE CLAMP ABA 22-32 MM ZN



LOADER BOOM STD., A31832



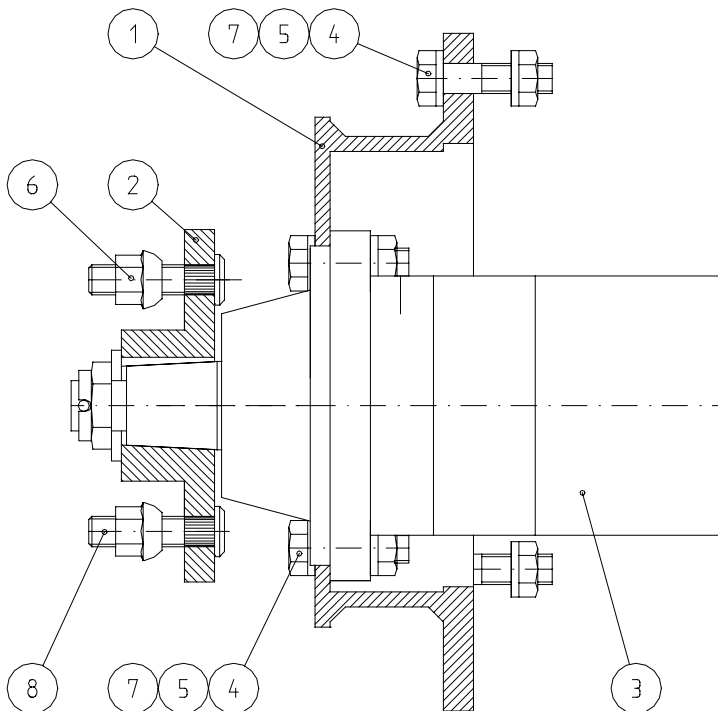
- |    |        |   |                                      |
|----|--------|---|--------------------------------------|
| 1  | A31636 | 1 | LOADER BOOM, ASSEMBLY                |
| 2  | A31831 | 1 | ATTACHMENT COUPLING PLATE            |
| 3  | A43935 | 2 | LOCKING PIN F20                      |
| 4  | A43936 | 2 | LATCH PIN                            |
| 5  | A43673 | 1 | HYDR. CYLINDER F63/F32-360 LMIN=590  |
| 6  | A43672 | 1 | HYDR. CYLINDER F63/F32-150 LMIN=380  |
| 7  | 64138  | 2 | COMPRESSION SPRING 2,5*25*135        |
| 8  | A43565 | 6 | PIVOT PIN, L=80                      |
| 9  | 64048  | 4 | SLIDE BEARING GSM-3034-40 IGLIDUR    |
| 10 | 72798  | 8 | GREASE NIPPLE R 1/8" STRAIGHT        |
| 11 | 73661  | 2 | SPRING COTTER 5* 30 DIN 1481         |
| 12 | 73488  | 2 | HEXAGONAL SCREW M10* 60 DIN 933 ZN   |
| 13 | 72147  | 8 | HEXAGONAL SCREW M10* 16 DIN 933 ZN   |
| 14 | 71880  | 2 | HEXAGONAL HEAD SCREW M 6* 25 DIN 912 |
| 15 | 72321  | 4 | HEXAGONAL NUT M10 DIN 934 ZN         |
| 16 | 74531  | 8 | WASHER, PAIR M10 NL10 NORDLOCK       |
| 17 | A43948 | 1 | SERVICE SUPPORT, BOOM CYLINDER       |
| 18 | 74520  | 1 | HEXAGONAL SCREW M 8* 70 DIN 933 ZN   |
| 19 | 72319  | 1 | HEXAGONAL NUT M 8 DIN 934 ZN         |
| 20 | A42909 | 2 | HYDRAULIC HOSE L=2100 R1AT-04        |
| 21 | A42908 | 2 | HYDRAULIC HOSE L=980 R1AT-04         |
| 22 | 64044  | 4 | ELBOW FITTING 90 DEGREE C40XS10-3/8  |
| 23 | A44227 | 2 | PIVOT PIN, L=94                      |

**TELESCOPIC BOOM, A21053**

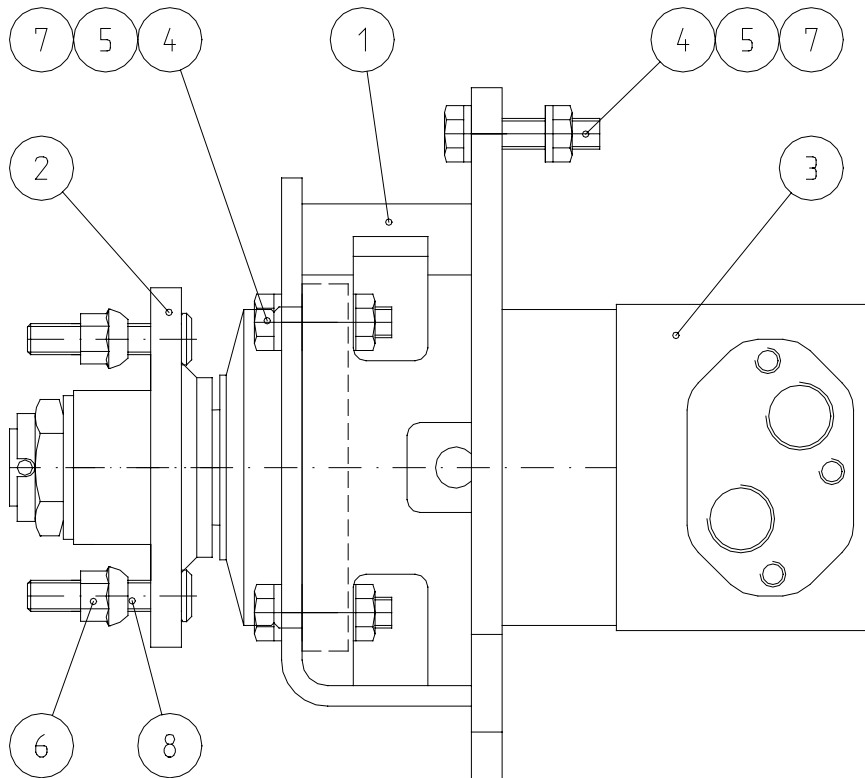
1	A31448	1	OUTER BOOM
2	A31449	1	INNER BOOM
3	A42671	1	EAR
4	A43083	4	DISTANCE RING
5	A31831	1	ATTACHMENT COUPLING PLATE
6	A43935	2	LOCKING PIN F20
7	A43565	6	PIVOT PIN, L=80
8	A44227	4	PIVOT PIN, L=94
9	64138	2	COMPRESSION SPRING 2,5*25*135
10	A43672	1	HYDR. CYLIND. F63/F32-150 LMIN=380 F30
11	A43673	1	HYDR. CYLIND. F63/F32-360 LMIN=590 F30
12	A43086	1	HYDR. CYLIND. F50/F32-500 LMIN=720 F30
13	64048	4	SLIDE BEARING GSM-3034-40 IGLIDUR
14	72798	14	GREASE NIPPLE DIN 71412 R1/8" STRAIGHT
15	73488	2	HEXAGONAL SCREW M10* 60 DIN 933 ZN
16	71880	2	HEXAGONAL HEAD SCREW M 6* 25 DIN 912
17	72147	12	HEXAGONAL SCREW M10* 16 DIN 933 ZN
18	74531	10	WASHER, PAIR M10 NL10 NORDLOCK
19	A45344	1	RIVET
20	A45442	2	HYDRAULIC HOSE L=3450 2LW-08
21	A45443	1	HYDRAULIC HOSE L=2800 1LW-08
22	A42928	1	HYDRAULIC HOSE L=1450 R1AT-04
23	A42929	1	HYDRAULIC HOSE L=900 R1AT-04
24	64044	5	ELBOW FITTING 90 DEGREE C40XS10-3/8
25	64041	1	BASIC FITTING F40XS10-3/8
26	A43936	2	LATCH PIN
27	A43948	1	SERVICE SUPPORT, BOOM CYLINDER
28	73661	2	SPRING COTTER 5* 30 DIN 1481

29	74520	1	HEXAGONAL SCREW	M 8* 70	DIN 933	ZN
30	72319	1	HEXAGONAL NUT	M 8	DIN 934	ZN
31	72321	4	HEXAGONAL NUT	M10	DIN 934	ZN
32	A42908	2	HYDRAULIC HOSE	L=980	R1AT-04	
33	A42925	2	HYDRAULIC HOSE	L=2950	R1AT-04	
34	72117	2	HEXAGONAL SCREW	M 6* 16	DIN 933	ZN
35	72318	2	HEXAGONAL NUT	M 6	DIN 985	NYLOC
36	73760	3	PIPE CLAMP	RSB DS 214/14	D	

HYDRAULIC MOTOR OMSW, A43974

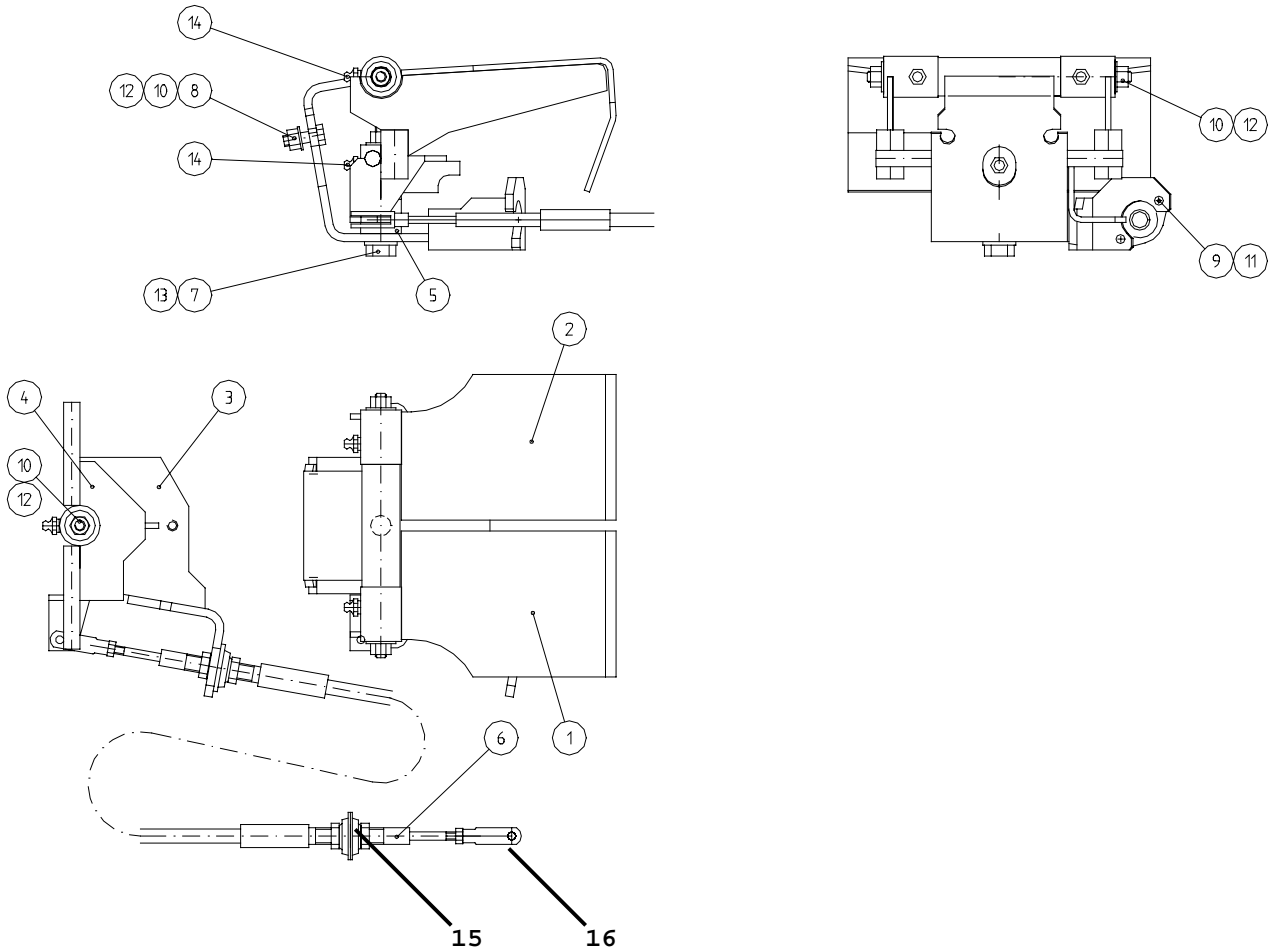


1	A43971	1	MOUNTING FLANGE, ASSEMBLY, OMS
2	A43973	1	WHEEL HUB, ASSEMBLY, OMS
3	64540	1	HYDRAULIC MOTOR OMSW 250 , 513 & 514
	64651		HYDRAULIC MOTOR OMSW 315 , 520F
4	73322	7	HEXAGONAL SCREW M12* 40
			DIN 931 ZN
5	72324	7	HEXAGONAL NUT M12
			DIN 985 NYLOC
6	73743	4	WHEEL NUT M12*1,5
			DIN74361
7	73613	7	WASHER M12 A12
			DIN 127 ZN JOUSI
8	74691	4	WHEEL BOLT M12*1.5*60

HYDRAULIC MOTOR OMT, A45166

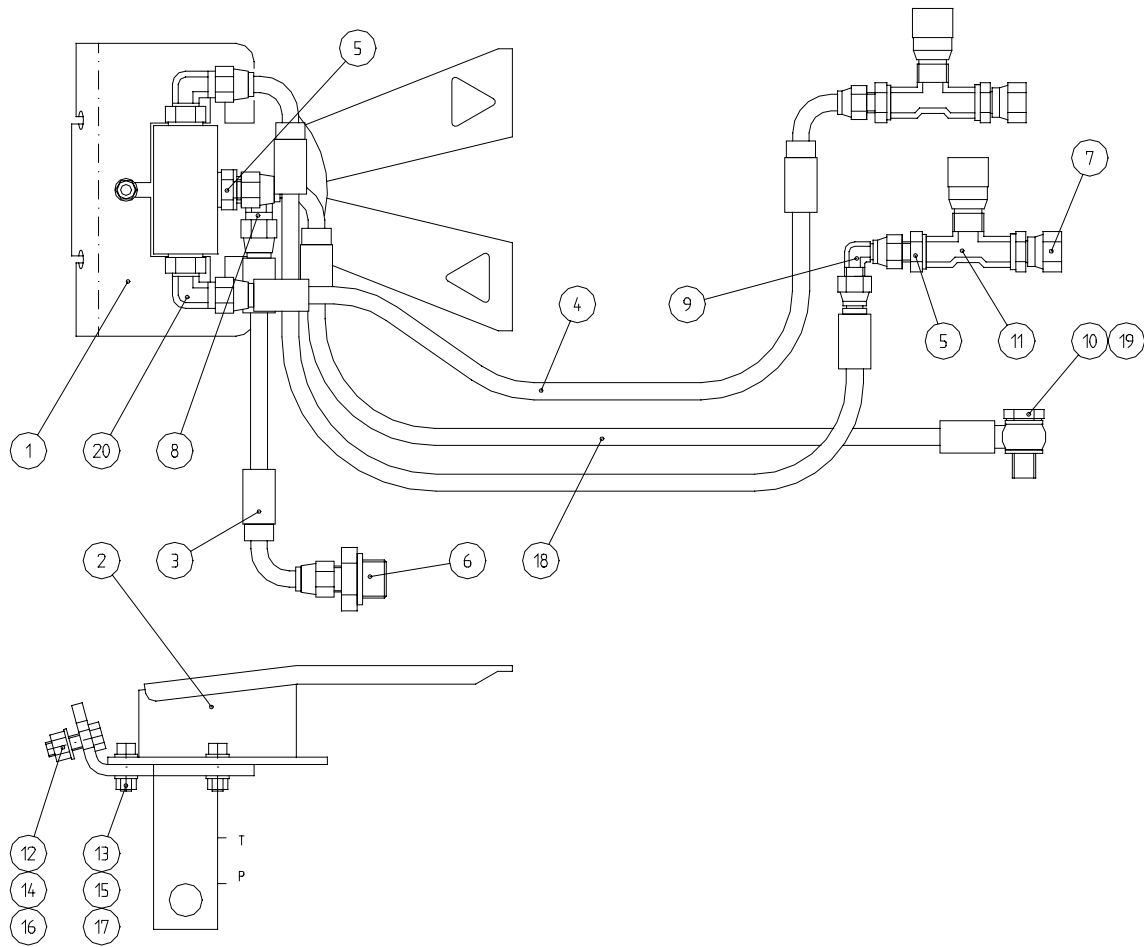
1	A45131	1	MOUNTING FLANGE, ASSEMBLY	
2	A45134	1	WHEEL HUB, ASSEMBLY	
3	64542	1	HYDRAULIC MOTOR	OMT 250
	64617		HYDRAULIC MOTOR	OMT 315
	64541		HYDRAULIC MOTOR	OMT 400
	64698		HYDRAULIC MOTOR	OMT 500
4	72220	7	HEXAGONAL SCREW	M12* 50 DIN 933 ZN
5	72324	7	HEXAGONAL NUT	M12 DIN 985 ZN NYLOC
6	73743	4	WHEEL NUT	M12*1,5DIN74361
7	73613	4	WASHER	M12 A12 DIN 127 ZN JOUSI
8	74691	4	WHEEL BOLT	M12*1.5*60

DRIVE PEDAL, MECHANICAL A31555



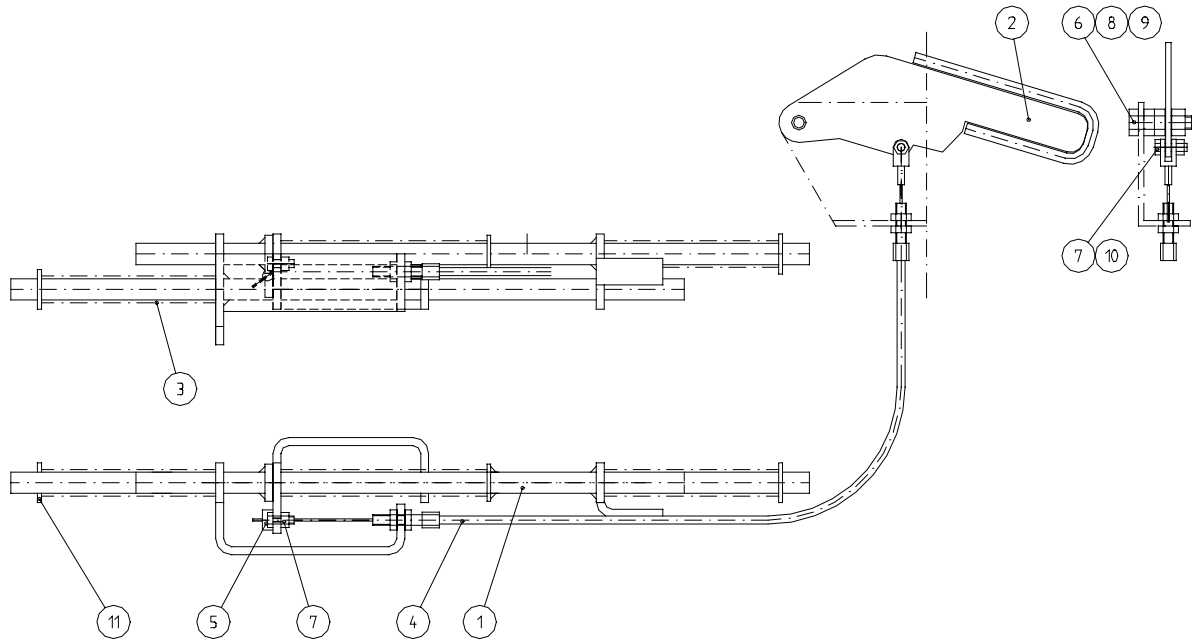
1	A43072	1	DRIVE PEDAL, LEFT
2	A43073	1	DRIVE PEDAL, RIGHT
3	A43071	1	DRIVE PEDAL FRAME
4	A43074	1	ROCKER ARM
5	A43064	1	VERTICAL AXLE
6	A44034	1	DRIVE CABLE AVANT 513, L=825 MM
	A44033	1	DRIVE CABLE AVANT 514, L=1000 MM
	A44035	1	DRIVE CABLE 520F/520+/528+ L=925 MM
7	72165	1	HEXAGONAL SCREW M12* 20 DIN 933
8	72132	2	HEXAGONAL SCREW M 8* 25 DIN 933 ZN
9	72118	2	HEXAGONAL SCREW M 6* 20 DIN 933
10	72320	5	HEXAGONAL NUT M 8 DIN 985 NYLOC
11	72318	2	HEXAGONAL NUT M 6 DIN 985 NYLOC
12	71685	5	WASHER M 8 R 9 DIN 440 ZN
13	73613	1	WASHER M12 DIN 127 JOUSI
14	72798	3	GREASE NIPPLE R 1/8" STRAIGHT
15	64466	1	ARTICULATION BEARING MORSE C0720 F12-16-54
16	64467	1	FORK MORSE C 0702 M6 F6-10

## DRIVE PEDAL, HYDRAULIC A32660

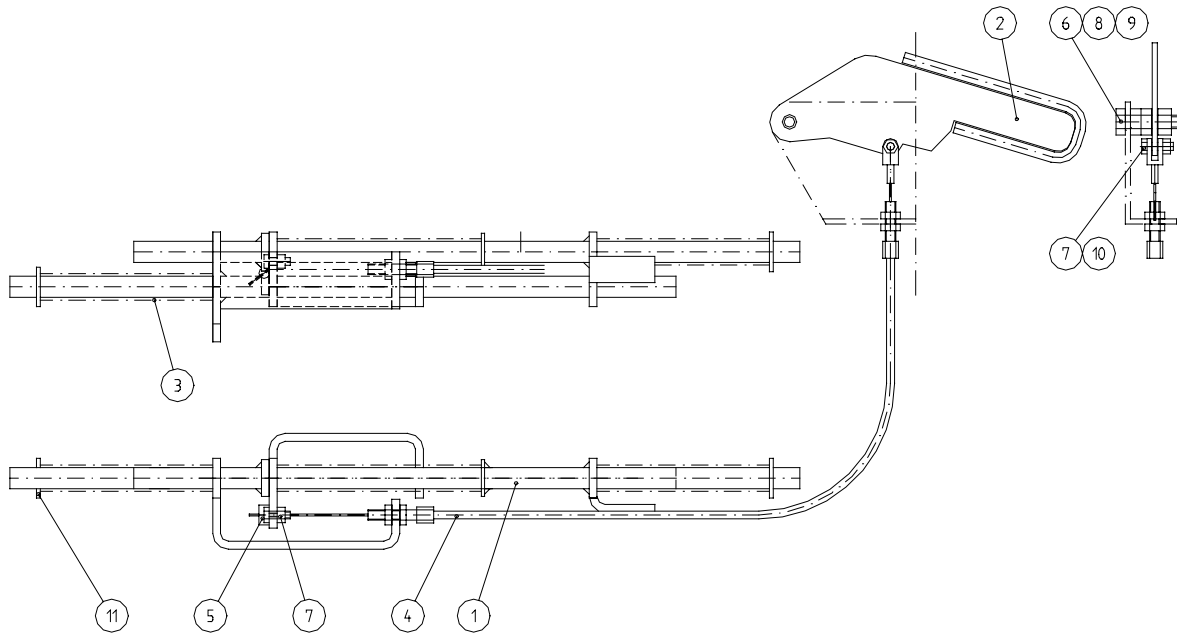


1	A45100	1	SUPPORT, DRIVE PEDAL
2	64682	1	HYDR. PEDAL AXIAL SCM 2PI 008
3	A45152	1	HYDR. HOSE L=300 1LW-04
4	A45153	3	HYDR. HOSE L=1100 TYPE 087-3/16"
5	64678	3	BASIC FITTING F40XS6-1/4"
6	64040	1	BASIC FITTING F40XS10-1/2
7	64060	2	CONNECTOR NIPPLE F64XS10-1/4
8	64087	3	ELBOW FITTING 90° C40XS10-1/4"
9	64308	1	ELBOW FITTING 90° C6XS6
10	64557	1	BANJO FITTING BANJO BOLT R 1/4"
11	63879	2	FLOW RESTRICTOR VALVE 9N400S R1/4"
12	72130	2	HEXAGONAL SCREW M8* 20 DIN 933 ZN
13	74475	3	HEXAGONAL HEAD SCREW M6*20 DIN 912 ZN
14	72320	2	HEXAGONAL NUT M8 DIN 985 ZN NYLOC
15	72318	3	HEXAGONAL NUT M6 DIN 985 ZN NYLOC
16	73122	2	WASHER M8 A8,4 DIN 125 ZN
17	71680	6	WASHER M6 A6,4 DIN 125 ZN
18	A45154	1	HYDR. HOSE L=1100 TYPE 087-3/16"
19	73754	2	RUBBER PLUG 1/2" TO FEMALE QUICK COUP
20	64687	2	ELBOW FITTING 90° C40XS6-1/4"

PARKING BRAKE, A31739



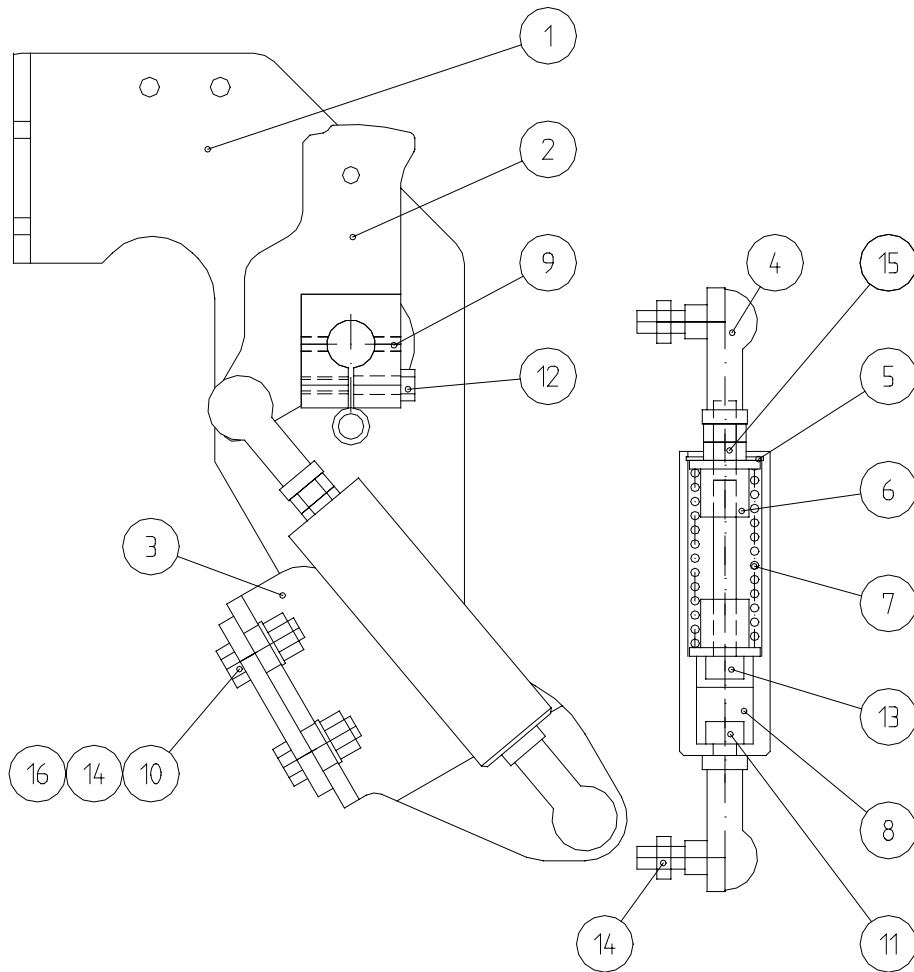
1	A31692	1	PARKING BRAKE,
2	A43438	1	PARKING BRAKE HANDLE
3	64578	4	COMPRESSION SPRING SF-TF 2,5*20*100
4	A42876	1	PARKING BRAKE WIRE
5			
6	73488	1	HEXAGONAL SCREW M10* 60 DIN 933 ZN
7	72118	2	HEXAGONAL SCREW M 6* 20 DIN 933 ZN
8	72321	2	HEXAGONAL NUT M10 DIN 934 ZN
9	72322	1	HEXAGONAL NUT M10 DIN 985 NYLOC
10	72318	2	HEXAGONAL NUT M 6 DIN 985 NYLOC
11	73461	2	WASHER M16 18 DIN 126 ZN

PARKING BRAKE, A32665 / 530+

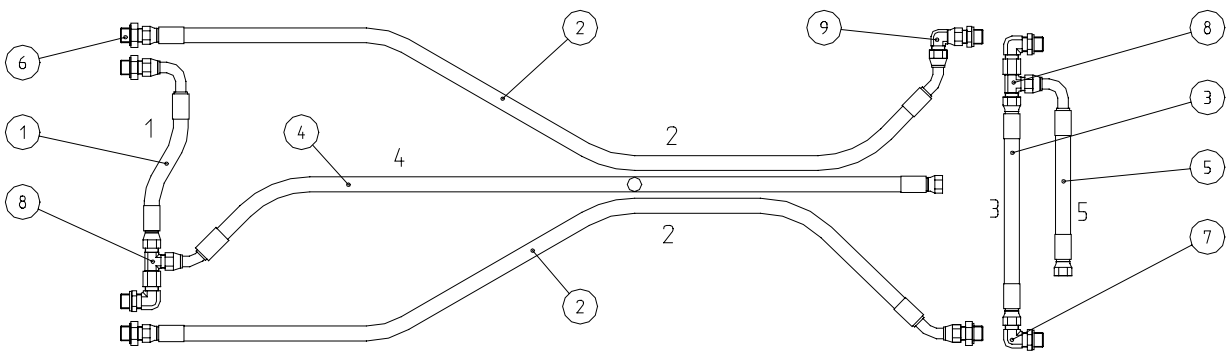
1	A32664	1	PARKING BRAKE
2	A43438	1	PARKING BRAKE HANDLE
3	64578	4	COMPRESSION SPRING SF-TF 2,5*20*100
4	A42876	1	PARKING BRAKE WIRE
5			
6	73488	1	HEXAGONAL SCREW M10* 60 DIN 933 ZN
7	72118	2	HEXAGONAL SCREW M 6* 20 DIN 933 ZN
8	72321	2	HEXAGONAL NUT M10 DIN 934 ZN
9	72322	1	HEXAGONAL NUT M10 DIN 985 NYLOC
10	72318	2	HEXAGONAL NUT M 6 DIN 985 NYLOC
11	73461	2	WASHER M16 18 DIN 126 ZN



VARIABLE DISPLACEMENT PUMP CONTROL UNIT A32672

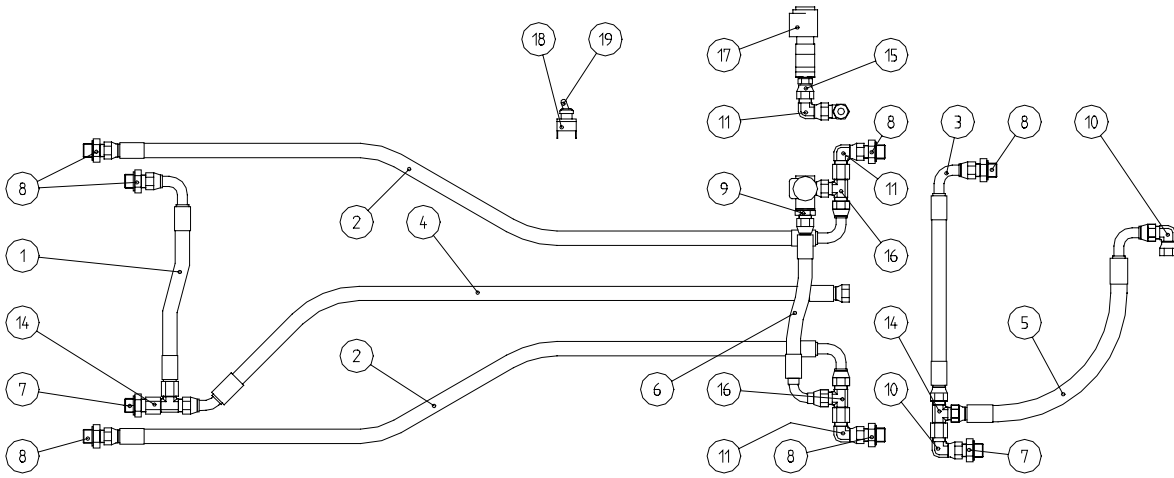


1	A44061	1	SUPPORT PLATE, DRIVE CABLE
2	A44064	1	ROCKER LEVER
3	A45271	1	ADJUSTMENT EAR
4	64697	2	BALL JOINT THK RBL 8 D
5	74664	1	SEEGER RING J 26*1,2 DIN 472
6	A44057	2	SLIDING GUIDE
7	64576	1	COMPRESSION SPRING SF-TF 3*18*85
8	A45272	1	BUSHING
9	73661	1	SPRING COTTER 5* 30 DIN 1481
10	72130	2	HEXAGONAL SCREW M8* 20 DIN 933 ZN
11	74481	1	HEXAGONAL HEAD SCREW M8* 20 DIN 912 ZN
12	73199	1	HEXAGONAL SCREW M6* 30 DIN 933 ZN
13	74485	1	HEXAGONAL HEAD SCREW M8* 90 DIN 912 ZN
14	72320	4	HEXAGONAL NUT M 8 DIN 985 ZN NYLOC
15	72319	2	HEXAGONAL NUT M 8 DIN 934 ZN
16	73962	2	WASHER M 8 A8 DIN 127 ZN JOUSI

HYDRAULIC HOSES, DRIVE A31892

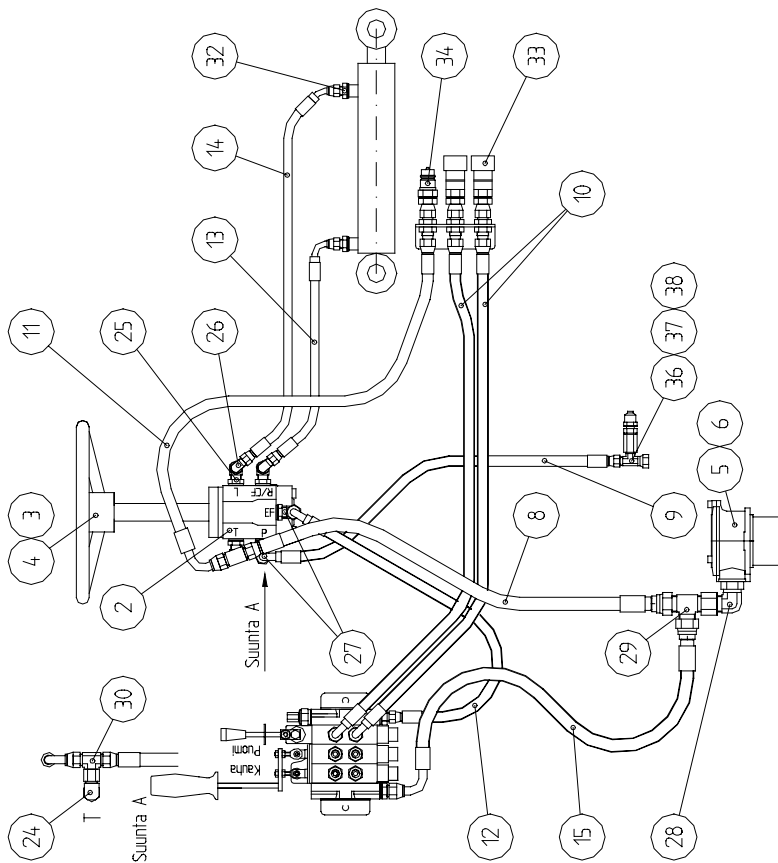
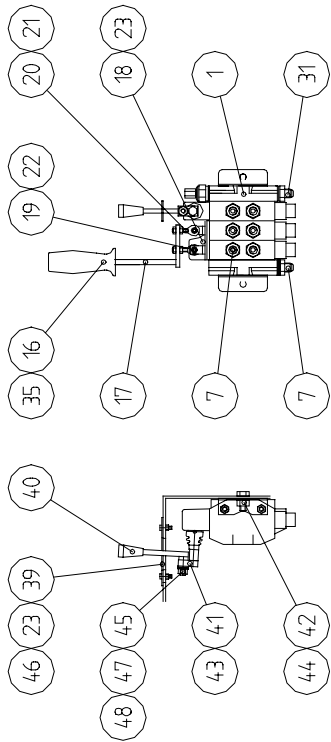
1	A44022	1	HYDRAULIC HOSE L=365 2LW-06 JIC12-JIC12 90 DEGR.
2	A44023	2	HYDRAULIC HOSE L=1450 2LW-06 JIC12-JIC12 45 DEGR.
3	A44024	1	HYDRAULIC HOSE L=340 2L W-06 JIC12-JIC12
4	A44025	1	HYDRAULIC HOSE L=1360 2L W-08 JIC12-JIC12 45 DEGR.
5	A44026	1	HYDRAULIC HOSE L=580 2L W-08 JIC12-JIC12 90
6	64058	5	BASIC FITTING F40XS12-1/2
7	64045	3	ELBOW FITTING 90 DEGREE C40XS12-1/2
8	64050	2	L FITTING BODY R6XS12
9	64134	1	ELBOW FITTING 90 DEGREE C6XS12

HYDRAULIC HOSES, DRIVE A32661 , WITH DRIVE RELEASE VALVE



1	A45155	1	HYDRAULIC HOSE L=375	2LW-08	OMT250
	A45318		HYDRAULIC HOSE L=355	2LW-08	OMT315
	A45319		HYDRAULIC HOSE L=310	2LW-08	OMT500
2	A45160	2	HYDRAULIC HOSE L=1350	2LW-08	
3	A45156	1	HYDRAULIC HOSE L=310	2LW-08	OMT250
	A45320		HYDRAULIC HOSE L=290	2LW-08	OMT315
	A45321		HYDRAULIC HOSE L=240	2LW-08	OMT500
4	A45158	1	HYDRAULIC HOSE L=1360	DIEZZE	5/8"
5	A45157	1	HYDRAULIC HOSE L=450	DIEZZE	5/8"
6	A45253	1	HYDRAULIC HOSE L=240	1LW-06	OMT250
	A45322		HYDRAULIC HOSE L=220	1LW-06	OMT315
	A45323		HYDRAULIC HOSE L=170	1LW-06	OMT500
7	64692	2	BASIC FITTING	F40XS16-3/4	
8	64544	6	BASIC FITTING	F40XS12-3/4	
9	64059	2	BASIC FITTING	F40XS10-1/4	
10	64306	2	ELBOW FITTING 90 DEGREE	C6XS16	
11	64134	3	ELBOW FITTING 90 DEGREE	C6XS12	
13	64087	1	ELBOW FITTING 90 DEGREE	C40XS10-1/4"	
14	64303	2	L FITTING BODY	R6XS16	
15	64082	1	CONNECTOR NIPPLE	F64XS12-3/8	
16	64050	2	L FITTING BODY	R6XS12	
17	64676	1	SOLENOID VALVE	WK08W-01-SB3-N-12DG	
18	64602	1	TOGGLE SWITCH B067AP		
				250VAC/10A 1-N ON-OFF	
19	64603	1	RUBBER COVER V-22		

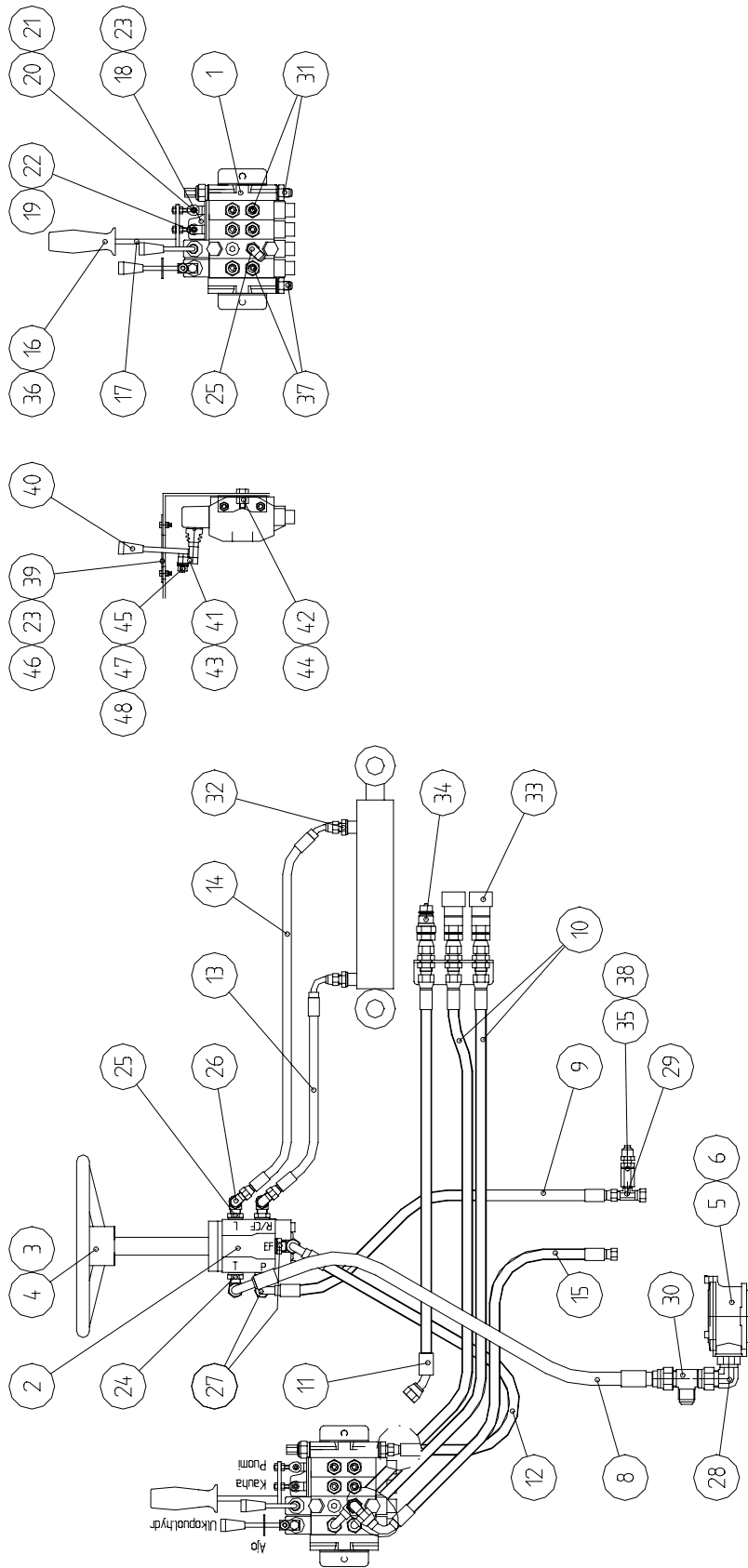
MAIN CONTROL VALVE + HOSES A32677



MAIN CONTROL VALVE + HOSES A32677

1	64551	1	CONTROL VALVE HI HDS 11/3
2	64178	1	CONTROL BLOCK DANFOSS OSPC 80 LS
3	64177	1	STEERING WHEEL ROD DANFOSS OTPB 150
4	64192	1	STEERING WHEEL COBO F300
5	64176	1	HYDR. OIL FILTER, RETURN OMTF 75 - 20
6	74093	1	FILTER CARTRIDGE MF100 F5-6/P20
7	64042	3	BASIC FITTING F40XS12-3/8
8	A44036	1	HYDRAULIC HOSE L=600 R1AT-08
9	A44051	1	HYDRAULIC HOSE L=1800 R2AT-06
10	A45305	2	HYDRAULIC HOSE L=2250 2LW-08
11	A42911	1	HYDRAULIC HOSE L=2200 R1AT-06
12	A42923	1	HYDRAULIC HOSE L=950 R2AT-06
13	A44053	1	HYDRAULIC HOSE L=1100 R1AT-04
14	A44052	1	HYDRAULIC HOSE L=1350 R1AT-04
15	A44037	1	HYDRAULIC HOSE L=900 R1 AT-08
16	A44435	1	HANDLE 500 SERIES, PLDEGREEIC, BLACK
17	A42841	1	CONTROL LEVER, ASSEMBLY
18	A42838	1	EAR, ASSEMBLY
19	A41821	2	PIN, CONTROL LEVER
20	63690	3	ROD END BEARING ASAHI JAM 6
21	72317	6	HEXAGONAL NUT M 6 DIN 934 ZN
22	A41822	4	NUT, CONTROL LEVER, M 6
23	72110	4	HEXAGONAL SCREW M 5* 16 DIN 933 ZN
24	64068	1	ELBOW FITTING 90 DEGREE C40XS12-3/8
25	64044	2	ELBOW FITTING 90 DEGREE C40XS10-3/8
26	64043	2	ELBOW FITTING 90 DEGREE C6XS10
27	64166	2	ELBOW FITTING 90 DEGREE C40XS10-1/2"
28	64167	1	ELBOW FITTING 90 DEGREE C40XS18-3/4"
29	64170	1	L FITTING BODY R6XS18
30	64307	1	T FITTING BODY S6XS12
31	64041	5	BASIC FITTING F40XS10-3/8
32	64059	2	BASIC FITTING F40XS10-1/4
33	64190	2	QUICK COUPLER, FEMALE 1/2" 2V54-T5X4
34	64189	1	QUICK COUPLER, MALE 1/2" 4V14-T5X4
35	74327	1	RUBBER COVER F12/F56-40 32053
36	64078	1	L FITTING BODY R6XS10
37	64196	1	MANOMETER FITTING R1/4"
38	64195	1	TEST FITTING TT4XS10-1/4"
39	A43989	1	LOCKING GROOVE
40	A43091	1	CONTROL LEVER
41	A43092	1	CONNECTING PIECE
42	72150	2	HEXAGONAL SCREW M10* 25 DIN 933 ZN
43	72132	1	HEXAGONAL SCREW M 8* 25 DIN 933 ZN
44	72322	2	HEXAGONAL NUT M10 DIN 985 ZNNYLOC
45	72320	1	HEXAGONAL NUT M 8 DIN 985 ZNNYLOC
46	72315	2	HEXAGONAL NUT M 5 DIN 985 ZNNYLOC
47	73122	2	WASHER M 8 A8,4 DIN 125 ZN
48	73962	1	WASHER M 8 A8 DIN 127 ZN JOUSI

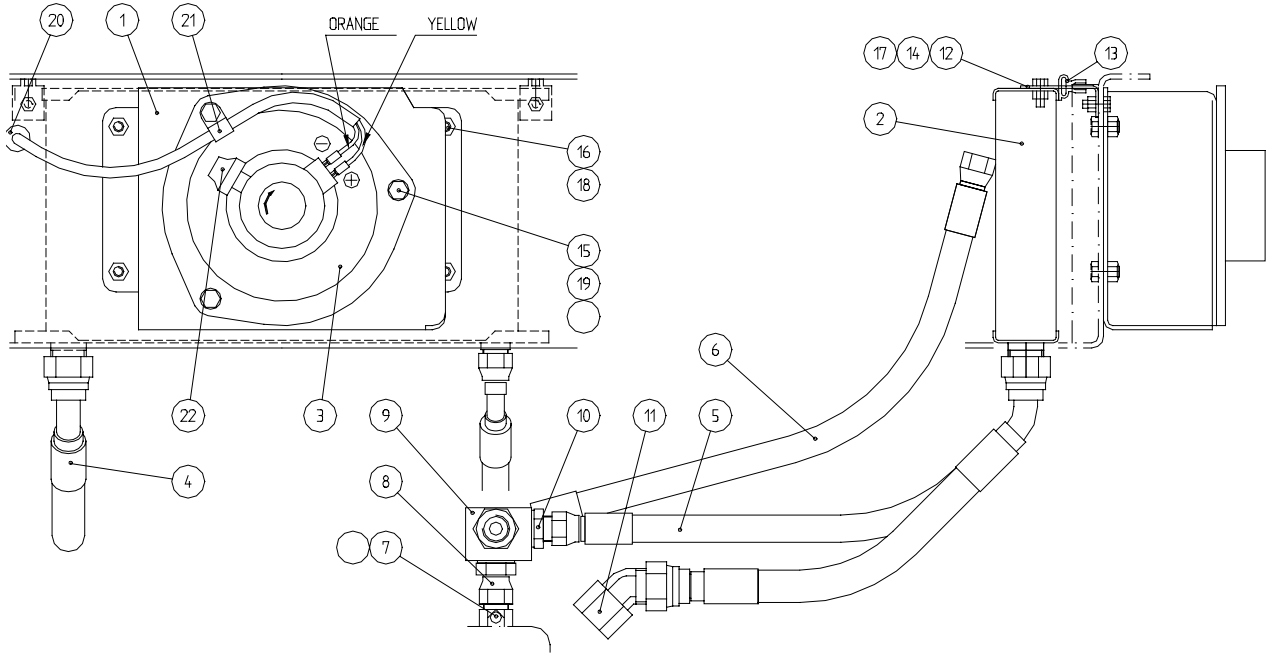
MAIN CONTROL VALVE + HOSES A32673



MAIN CONTROL VALVE + HOSES A32673

1	64553	1	CONTROL VALVE HI HDS 11/4
2	64178	1	CONTROL BLOCK DANFOSS OSPC 80 LS
3	64177	1	STEERING WHEEL ROD DANFOSS OTPB 150
4	64192	1	STEERING WHEEL COBO F300
5	64176	1	HYDR. OIL FILTER, RETURN OMTF 75 - 20
6	74093	1	FILTER CARTRIDGE MF100 F5-6/P20
7			
8	A45310	1	HYDRAULIC HOSE L=620 1LW-08
9	A44051	1	HYDRAULIC HOSE L=1800 R2AT-06
10	A45305	2	HYDRAULIC HOSE L=2250 2LW-08
11	A45346	1	HYDRAULIC HOSE L=1600 1LW-08
12	A42923	1	HYDRAULIC HOSE L=950 R2AT-06
13	A44053	1	HYDRAULIC HOSE L=1100 R1AT-04
14	A44052	1	HYDRAULIC HOSE L=1350 R1AT-04
15	A42916	1	HYDRAULIC HOSE L=1950 R2AT-06
16	A44435	1	HANDLE 500 SERIES, PLASTIC, BLACK
17	A42841	1	CONTROL LEVER, ASSEMBLY
18	A42838	1	EAR, ASSEMBLY
19	A41821	2	PIN, CONTROL LEVER
20	63690	3	ROD END BEARING ASAHI JAM 6
21	72317	6	HEXAGONAL NUT M 6 DIN 934 ZN
22	A41822	4	NUT, CONTROL LEVER, M 6
23	72110	4	HEXAGONAL SCREW M 5* 16 DIN 933 ZN
24	64068	1	ELBOW FITTING 90 DEGREE C40XS12-3/8
25	64044	3	ELBOW FITTING 90 DEGREE C40XS10-3/8
26	64043	2	ELBOW FITTING 90 DEGREE C6XS10
27	64166	2	ELBOW FITTING 90 DEGREE C40XS10-1/2"
28	64167	1	ELBOW FITTING 90 DEGREE C40XS18-3/4"
29	64078	1	L FITTING BODY R6XS10
30	64170	1	L FITTING BODY R6XS18
31	64041	5	BASIC FITTING F40XS10-3/8
32	64059	2	BASIC FITTING F40XS10-1/4
33	64190	2	QUICK COUPLER, FEMALE 1/2" 2V54-T5X4
34	64189	1	QUICK COUPLER, MALE 1/2" 4V14-T5X4
35	64196	1	MANOMETER FITTING R1/4"
36	74327	1	RUBBER COVER F12/F56-40 32053
37	64042	3	BASIC FITTING F40XS12-3/8
38	64195	1	TEST FITTING TT4XS10-1/4"
39	A43989	1	LOCKING GROOVE
40	A43091	1	CONTROL LEVER
41	A43092	1	CONNECTING PIECE
42	72150	2	HEXAGONAL SCREW M10* 25 DIN 933 ZN
43	72132	1	HEXAGONAL SCREW M 8* 25 DIN 933 ZN
44	72322	2	HEXAGONAL NUT M10 DIN 985 ZNNYLOC
45	72320	1	HEXAGONAL NUT M 8 DIN 985 ZNNYLOC
46	72315	2	HEXAGONAL NUT M 5 DIN 985 ZNNYLOC
47	73122	2	WASHER M 8 A8,4 DIN 125 ZN
48	73962	1	WASHER M 8 A8 DIN 127 ZN JOUSI

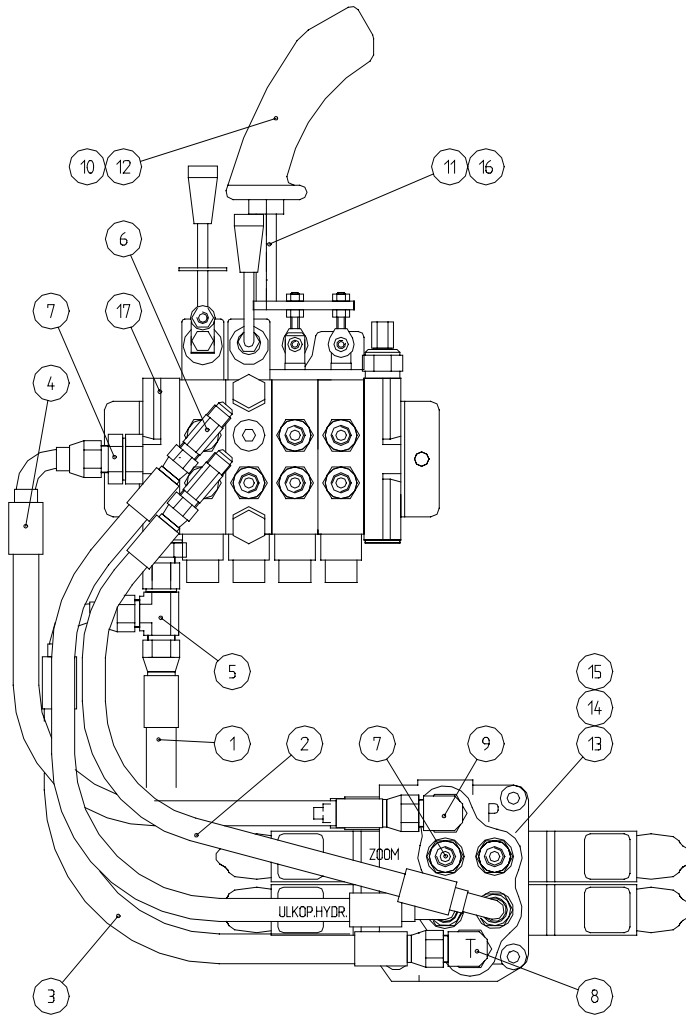
HYDRAULIC OIL COOLER A32676



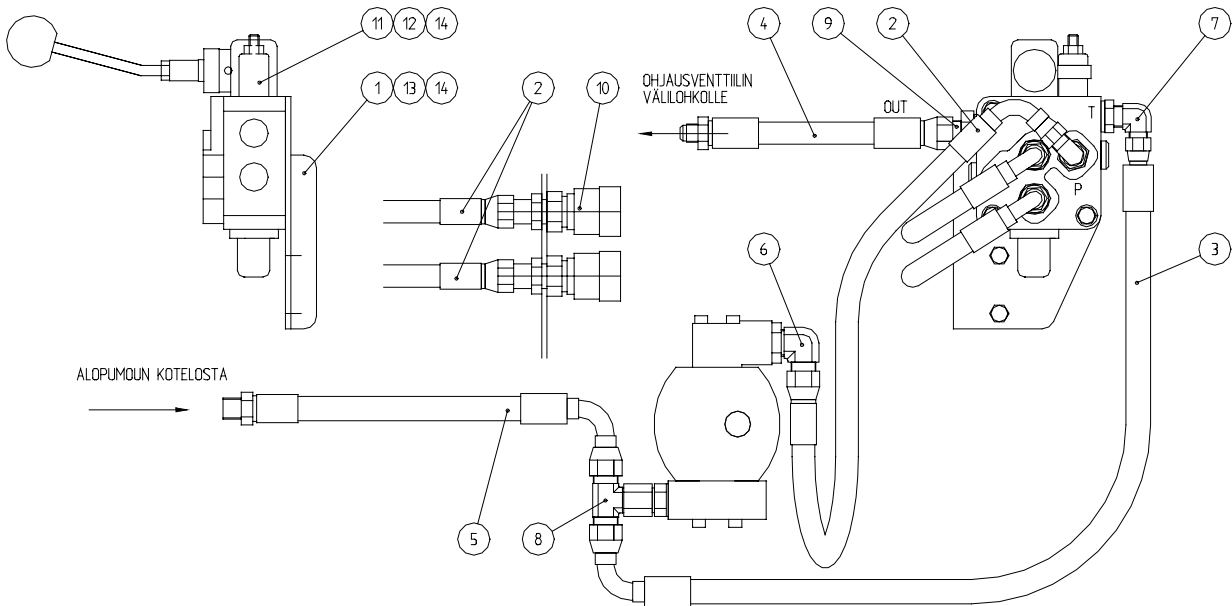
1	A43735	1	COOLER HOUSING, ASSEMBLY
2	64546	1	COOLER CELL 925AN12-AN8 405*197
3	64198	1	FAN 12 V 835 201 50002
4	A43046	1	HYDRAULIC HOSE L=900 JIC20-JIC20 45
5	A45312	1	HYDRAULIC HOSE L=420 JIC 12-JIC12 45
6	A45311	1	HYDRAULIC HOSE L=500 JIC 12-JIC12 90
7		1	CHECK VALVE 1.5BAR UNF3/4"-16
8	64047	1	CONNECTOR NIPPLE F64XS12-1/2"
9	A45316	1	CONNECTING PIECE
10	64058	3	BASIC FITTING F40XS12-1/2
11	64545	1	ELBOW FITTING 45 DEGREE V6XS20
12	A43832	2	SUPPORT, OIL COOLER CELL
13			
14	73039	4	HEXAGONAL SCREW M 8* 16 DIN 933 ZN
15	72132	3	HEXAGONAL SCREW M 8* 25 DIN 933 ZN
16	73039	4	HEXAGONAL SCREW M 8* 16 DIN 933 ZN
17	72318	4	HEXAGONAL NUT M 6 DIN 985 ZNNYLOC
18	72320	4	HEXAGONAL NUT M 8 DIN 985 ZNNYLOC
19	73122	3	WASHER M 8 A8,4 DIN 125 ZN



JOYSTICK, TELESCOPE & AUXILIARY HYDRAULICS A32442

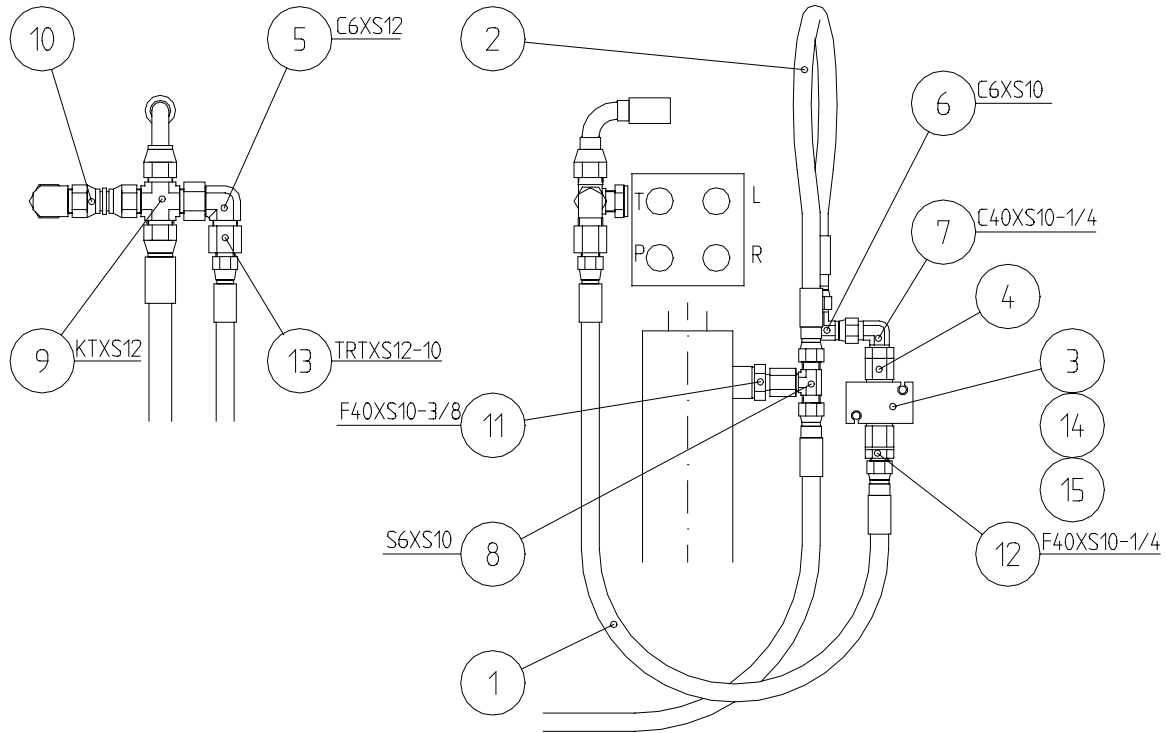


1	A44730	1	HYDRAULIC HOSE L=240 1LW-08
2	A44729	2	HYDRAULIC HOSE L=400 2L W-06
3	A44731	1	HYDRAULIC HOSE L=220 1L W-08
4	A44728	1	HYDRAULIC HOSE L=350 2L W-06
5	64050	1	L FITTING BODY R6XS12
6	64070	2	T FITTING BODY S6XS10
7	64041	5	BASIC FITTING F40XS10-3/8
8	64068	1	ELBOW FITTING 90 DEGREE C40XS12-3/8
9	64044	1	ELBOW FITTING 90 DEGREE C40XS10-3/8
10	A32435	1	WIRE HARNESS, JOYSTICK
11	A44782	1	CONTROL LEVER
12	64641	1	JOYSTICK VALVOIL HA060
13	64640	1	DIRECTIONAL VALVE SD5/2(KG3)18ES3/18ES3/AET-12VDC
14	72139	2	HEXAGONAL SCREW M 8* 60 DIN 931 ZN
15	72320	2	HEXAGONAL NUT M 8 DIN 985 ZNNYLOC
16	74676	1	HEXAGONAL NUT M14*1,5 DIN 934 ZN
17	64642	1	RETURN MANIFOLD HDS10 T+HPC P09

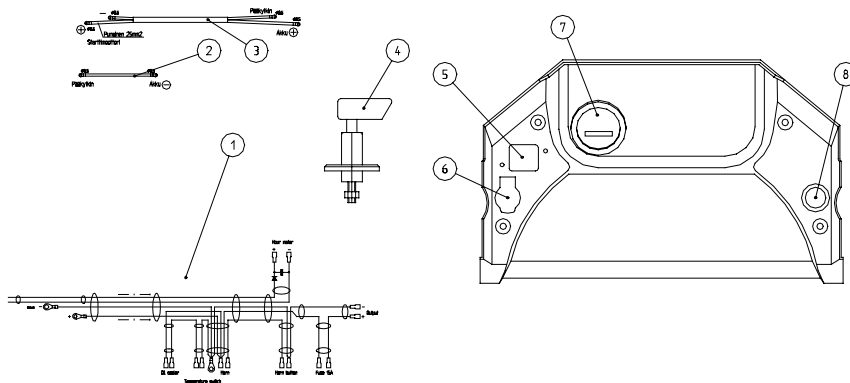
AUXILIARY HYDRAULICS, REAR, DOUBLE ACTING A32443

1	A44783	1	BRACKET, CONTROL VALVE
2	A44784	3	HYDRAULIC HOSE L=850 2LW-06
3	A44785	1	HYDRAULIC HOSE L=1150 1LW-06
4	A44786	1	HYDRAULIC HOSE L=500 2LW-06
5	A44787	1	HYDRAULIC HOSE L=340 1LW-06
6	64045	1	ELBOW FITTING 90 DEGREE C40XS12-1/2
7	64087	1	ELBOW FITTING 90 DEGREE C40XS10-1/4"
8	64307	1	T FITTING BODY S6XS12
9	64041	4	BASIC FITTING F40XS10-3/8
10	64190	2	QUICK COUPLER, FEMALE 1/2" 2V54-T5X4
11	64089	1	DIRECTIONAL VALVE CASAPPA VCD20/1P(KG3-175)/19RVI
12	72141	3	HEXAGONAL SCREW M 8* 70 DIN 931 ZN
13	72132	2	HEXAGONAL SCREW M 8* 25 DIN 933 ZN
14	72320	5	HEXAGONAL NUT M 8 DIN 985 ZNNYLOC

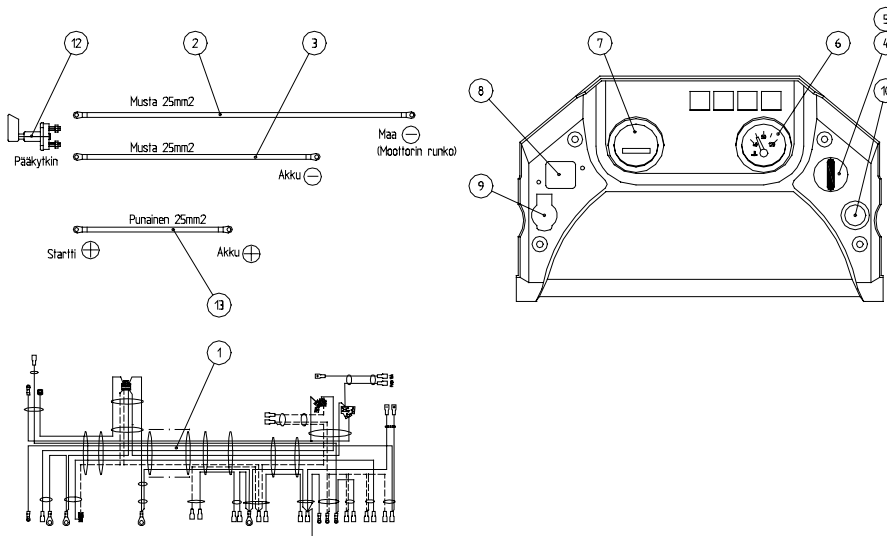
**BOOM FLOATING SYSTEM, 500 SERIES A44470**



1	A44472	1	HYDRAULIC HOSE L=720 1LW- 04
2	A44471	1	HYDRAULIC HOSE L=400 1LW- 04
3	A42714	1	MOUNTING PLATE
4	64197	1	BALL VALVE 2/2 R1/4" DN6
5	64134	1	ELBOW FITTING 90 DEGREE C6XS12
6	64043	1	ELBOW FITTING 90 DEGREE C6XS10
7	64087	1	ELBOW FITTING 90 DEGREE C40XS10-1/4"
8	64070	1	T FITTING BODY S6XS10
9	64083	1	CROSS FITTING KTXS12
10	64159	1	CONNECTOR NIPPLE O 1829
11	64041	1	BASIC FITTING F40XS10-3/8
12	64059	1	BASIC FITTING F40XS10-1/4
13	64051	1	REDUCER FITTING TRTXS12-10
14	74515	2	HEXAGONAL SCREW M 6* 45 DIN 933 ZN
15	72318	2	HEXAGONAL NUT M 6 DIN 985 ZNNYLOC

**ELECTRIC WIRING, AVANT 513 A31846**

1	A1293	1	WIRE HARNESS 500 SERIES / HONDA GX390
2	A43543	1	CABLE BATTERY DISCONN. SWITCH / BATTERY
3	A43544	1	CABLE STARTER / BATTERY
4	64141	1	BATTERY DISCONNECT SWITCH MBERS-98700
5	64292	1	FUSE HOLDER FOR 2 FUSES, MERIT 1500031A
6	64213	1	OUTLET 12V MERIT 114320
7	64152	1	HOUR METER, ISKRA HK7DC
8	64074	1	PRESS SWITCH, F22,5 MERIT 320000
9	64157	1	SIGNAL HORN 12 V DC

**ELECTRIC WIRING, AVANT 514,520F,523+,530+ A31925**

1	A1281	1	WIRE HARNESS D722 40A ALTERNATOR
2	A44121	1	CABLE BATTERY DISCONNECT SWITCH / EARTH L=900
3	A44120	1	CABLE BATTERY- / BATTERY DISCONN. SWITCH L=700
4	64202	1	IGNITION SWITCH MERIT 330332
5	64214	1	IGNITION KEY MERIT 14607
6	64243	1	THERMOMETER, WATER
7	64152	1	HOUR METER, ISKRA HK7DC
8	64292	1	FUSE HOLDER FOR 2 FUSES, MERIT
9	64213	1	OUTLET 12V MERIT 114320
10	64074	1	PRESS SWITCH, F22,5 MERIT 320000
11	64157	1	SIGNAL HORN 12 V DC
12	64141	1	BATTERY DISCONNECT SWITCH MBERS-98700
13	A44123	1	CABLE BATTERY+ / STARTER+ L=320