

AVANT

Auger

A1176

Parts list



Manufacturer:

AVANT

AVANT TECNO OY

Ylötie 1

FIN-33470 YLÖJÄRVI

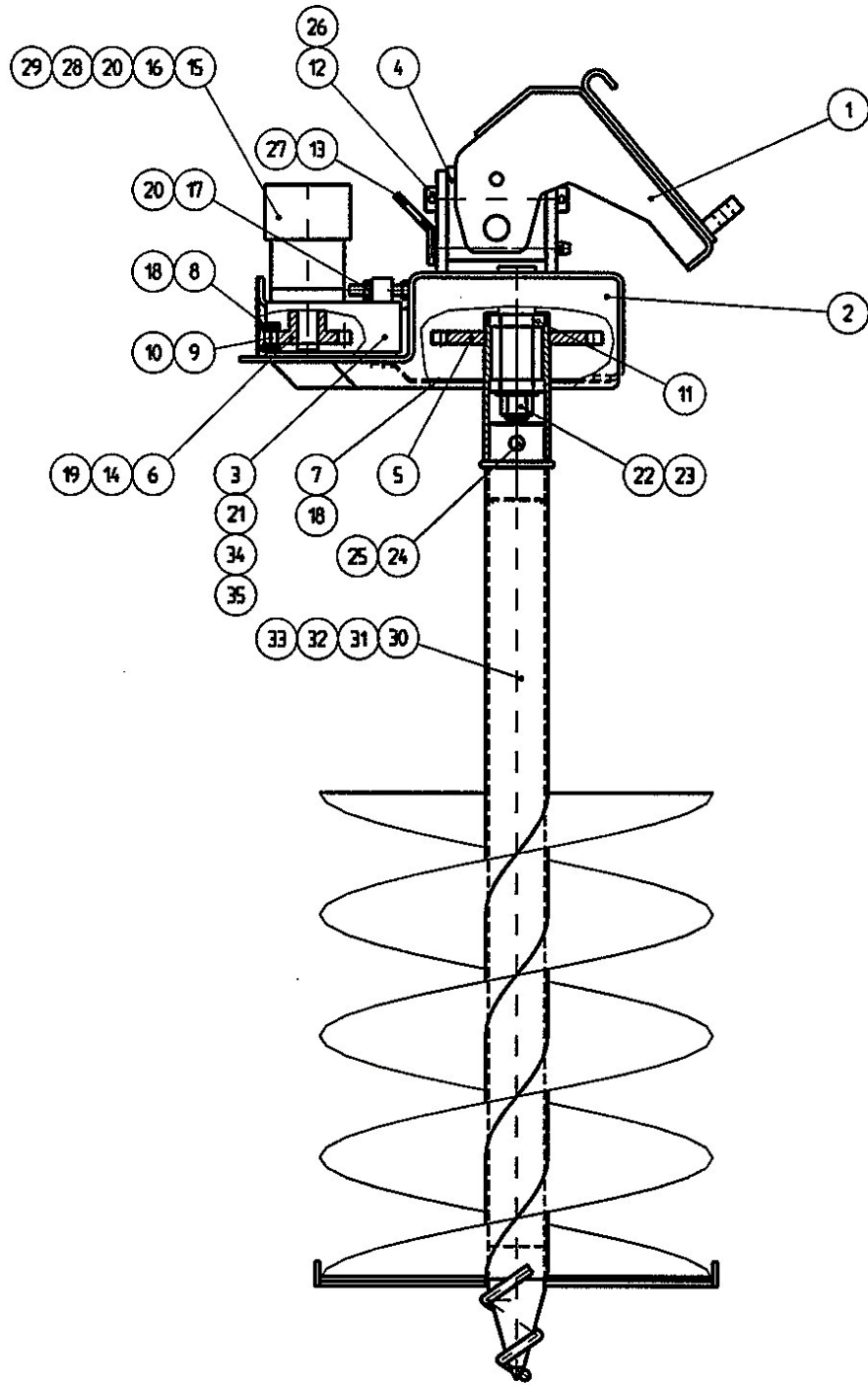
FINLAND

Tel. +358 3 347 8800

Fax. +358 3 348 5511

Web www.avanttecno.com

A1176 AUGER



A1176 AUGER

Pos.	Part no.	Description	Pcs
1	A31080	Mounting bracket	1
2	A31079	Frame	1
3	A41627	Bracket, hydraulic motor	1
4	A42006	Pivoting bracket	1
5	A42011	Hub	1
6	A42150	Sprocket, z=12 *)	1
7	A42010	Cover plate, chain, big	1
8	A42009	Cover plate, chain, small	1
9	A41663	Transmission chain 16B-1 1"	1
10	73606	Connection link, chain, 16B-1 1"	1
11	64038	Ball bearing 6008 2RS	2
12	A42007	Pivot pin	2
13	A42008	Locking pin	2
14	A41675	Washer F45*7	1
15	64076	Hydraulic motor SAM AR200 **)	1
16	73058	Hexagonal screw M12*40	2
17	73389	Hexagonal screw M12*60	2
18	72116	Hexagonal screw M6*12	6
19	73039	Hexagonal screw M8*16	1
20	72323	Hexagonal nut M12	3
21	72322	Hexagonal nut M10 Nyloc	3
22	74421	Hexagonal nut M27*2 Nyloc	1
23	71705	Washer M27 DIN 125	1
24	74397	Hexagonal screw M16*100	1
25	72330	Hexagonal nut M16 Nyloc	1
26	71774	Spring pin 8*40 DIN 1481	1
27	71724	Cotter 4 mm	1
28	A31081	Hydraulic hose	2
29	A31082	Hydraulic hose	1
30-33		Auger drill Augertorque (100, 150, 200, 225, 250, 300, 400, 500 etc. mm)	
34	72150	Hexagonal screw M10*25	3
35	73121	Bricka M10	3

*) and **) On older augers with Avant auger drills the hydraulic motor and sprocket are different:

A41631 Sprocket z=11

64094 Hydraulic motor SAM AR160