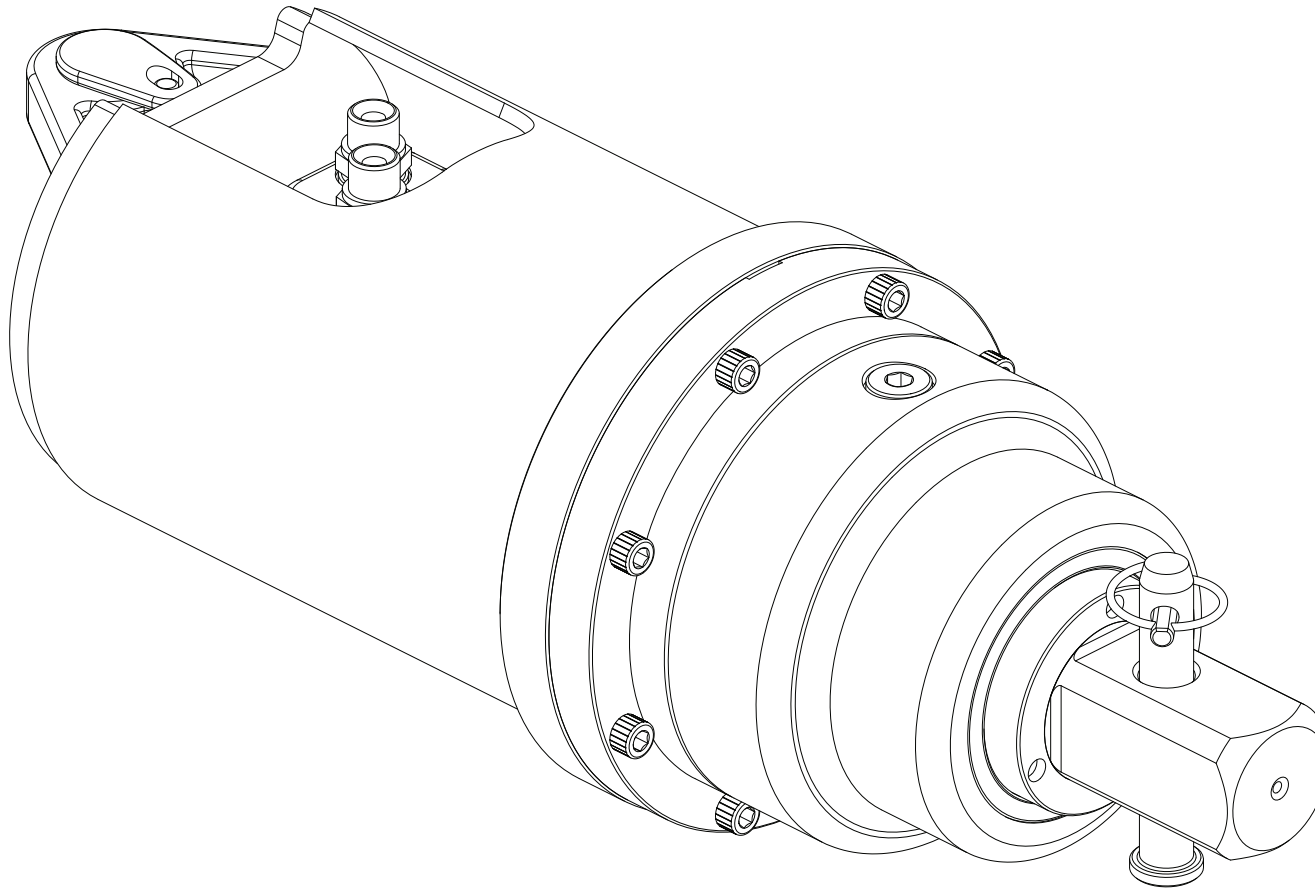


# AVANT

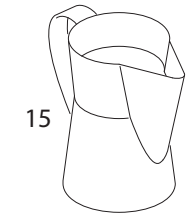
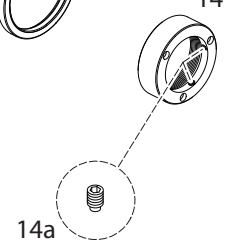
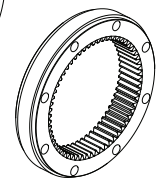
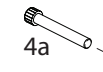
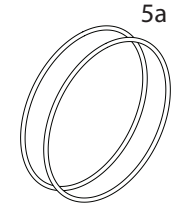
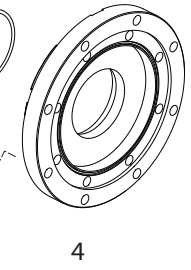
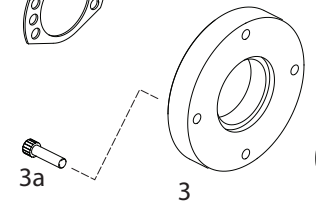
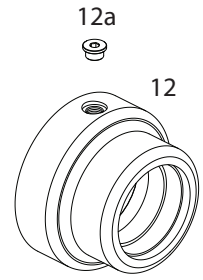
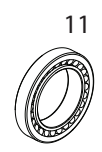
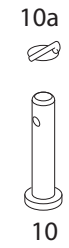
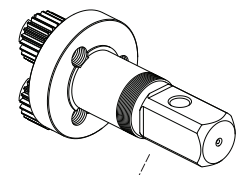
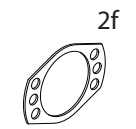
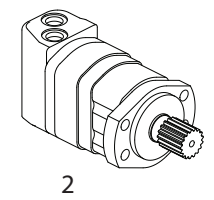
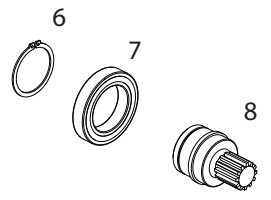
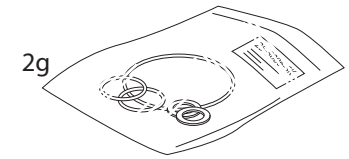
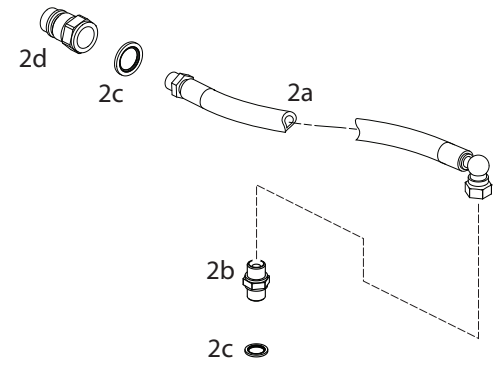
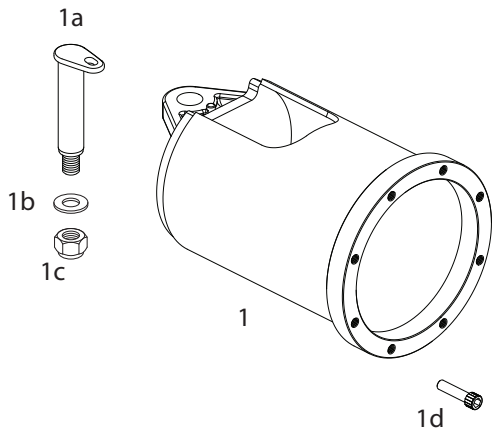
## Auger Drive Unit Illustrated Parts List

HD112

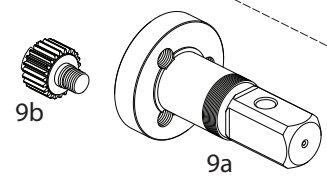
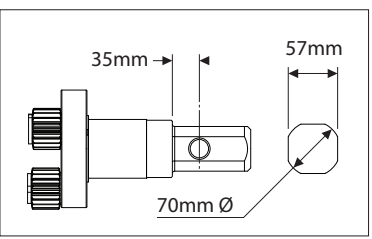


# AVANT

## Auger Drive Unit Illustrated Parts List HD112



9  
Complete assembly 21-3906  
comprising items 9a & 9b



21-31212  
Models Covered:  
HD112  
Serial Nos: 304XXXX  
September 2008 Issue 1



21-31212

# HD112 Auger Drive Unit Illustrated Parts List

ITEM	PART No	QTY	DESCRIPTION	NOTES
<b>1</b>	<b>23-3901</b>	<b>1</b>	<b>Hood Assembly</b>	
1a	23-2904	1	Hood Pin	
1b	99-9157-Y	1	Washer M20	
1c	99-9187-Y	1	Nut Nyloc M20	
1d	99-9135-040-Y	8	Socket Cap Screw M12 x 40	(22)
<b>2</b>	<b>25-2309</b>	<b>1</b>	<b>Motor</b>	
2a	99-7515	2	Hose	(Includes 2b - 2c)
2b	99-7013	2	Adaptor	
2c	99-7003	4	Seal	
2d	99-7061M	4	Coupling	(22)
2e	99-9135-035	4	Socket Cap Screw M12 x 35	
2f	99-1501	1	Gasket	
2g	25-2312	1	Seal Kit	
<b>3</b>	<b>21-3011</b>	<b>1</b>	<b>Housing -Top Motor</b>	
3a	99-9135-035	4	Socket Cap Screw M12 x 35	(22)
3b	99-1530	1	O Ring (104.5mm ID)	
<b>4</b>	<b>21-3002</b>	<b>1</b>	<b>Housing -Input</b>	
4a	99-9135-075	8	Socket Cap Screw M12 x 75	(22)
<b>5</b>	<b>21-3004</b>	<b>1</b>	<b>Ring Gear</b>	
5a	99-1532	1	O Ring (162mm ID)	
<b>6</b>	<b>99-1601</b>	<b>1</b>	<b>Circlip</b>	
<b>7</b>	<b>99-1202</b>	<b>1</b>	<b>Bearing</b>	(21) & (25)
<b>8</b>	<b>21-3009</b>	<b>1</b>	<b>Shaft Adaptor</b>	
<b>9</b>	<b>21-3906</b>	<b>1</b>	<b>Shaft Assembly</b> -----	(Includes 9a & 9b)
9a	21-3017	1	Shaft	
9b	21-3911	3	Gear Assembly	(24)
<b>10</b>	<b>30-0002</b>	<b>1</b>	<b>Pin</b>	
10a	99-99020	1	Clip	
<b>11</b>	<b>99-1104</b>	<b>2</b>	<b>Bearing -Taper</b>	
<b>12</b>	<b>21-3018</b>	<b>1</b>	<b>Housing -Output</b>	
12a	21-5071	2	Plug 1/2"	
<b>13</b>	<b>99-1504</b>	<b>1</b>	<b>Seal -Oil</b>	(21) & (23)
<b>14</b>	<b>21-3019</b>	<b>1</b>	<b>Locking Nut</b>	(21) & (23)
14a	99-9213-012	2	Socket Set Screw M8 x 12	(22)
<b>15</b>	<b>99-8101</b>	<b>1</b>	<b>Gear Oil EP320 1 Litre</b>	Capacity 0.7L
<b>16</b>	<b>99-5098</b>	<b>1</b>	<b>Label -Avant</b>	
<b>17</b>	<b>99-5020</b>	<b>1</b>	<b>Label -Caution</b>	
<b>18</b>	<b>99-51XX</b>	<b>1</b>	<b>Manual (State Language)</b>	

ITEM	PART No	QTY	DESCRIPTION	NOTES
<b>19</b>	<b>99-8203</b>	<b>1</b>	<b>Loctite -7471 Activator</b>	
<b>20</b>	<b>99-8205</b>	<b>1</b>	<b>Loctite -243 Threadlocker</b>	
<b>21</b>	<b>99-8212</b>	<b>1</b>	<b>Loctite -515 Flange Sealant</b>	
<b>22</b>	<b>99-8206</b>	<b>1</b>	<b>Loctite -270 Threadlocker</b>	
<b>23</b>	<b>99-8214</b>	<b>1</b>	<b>Loctite -641 Bearing Retainer</b>	