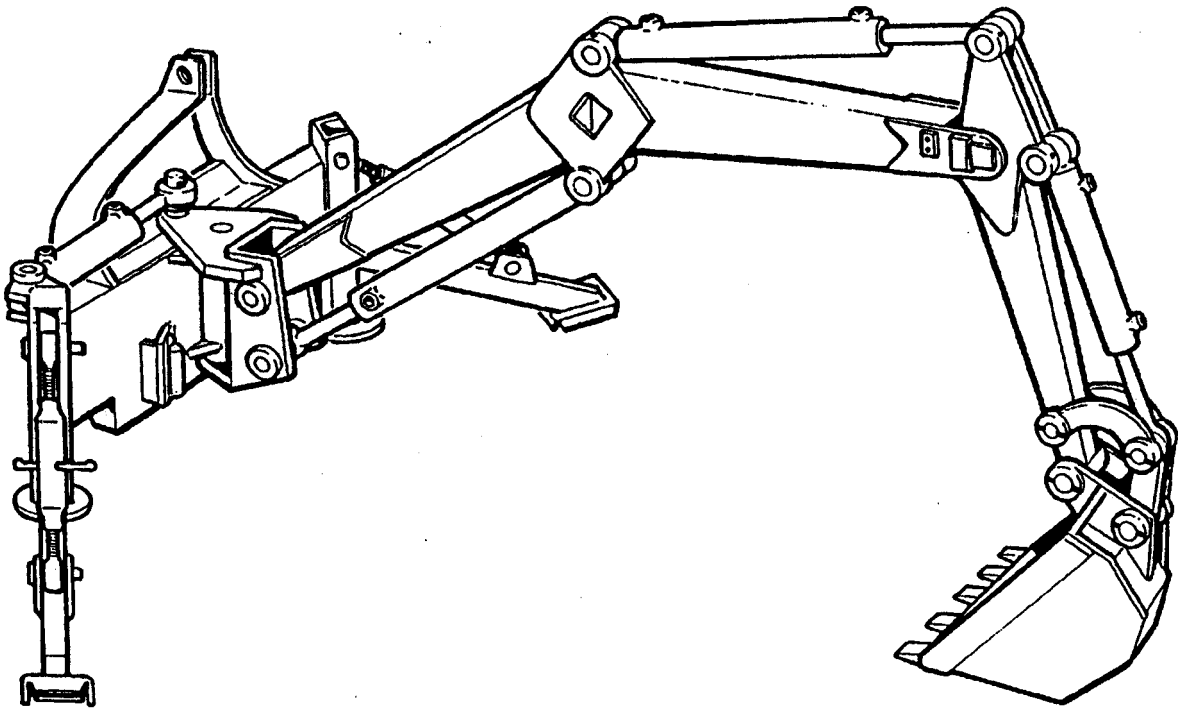
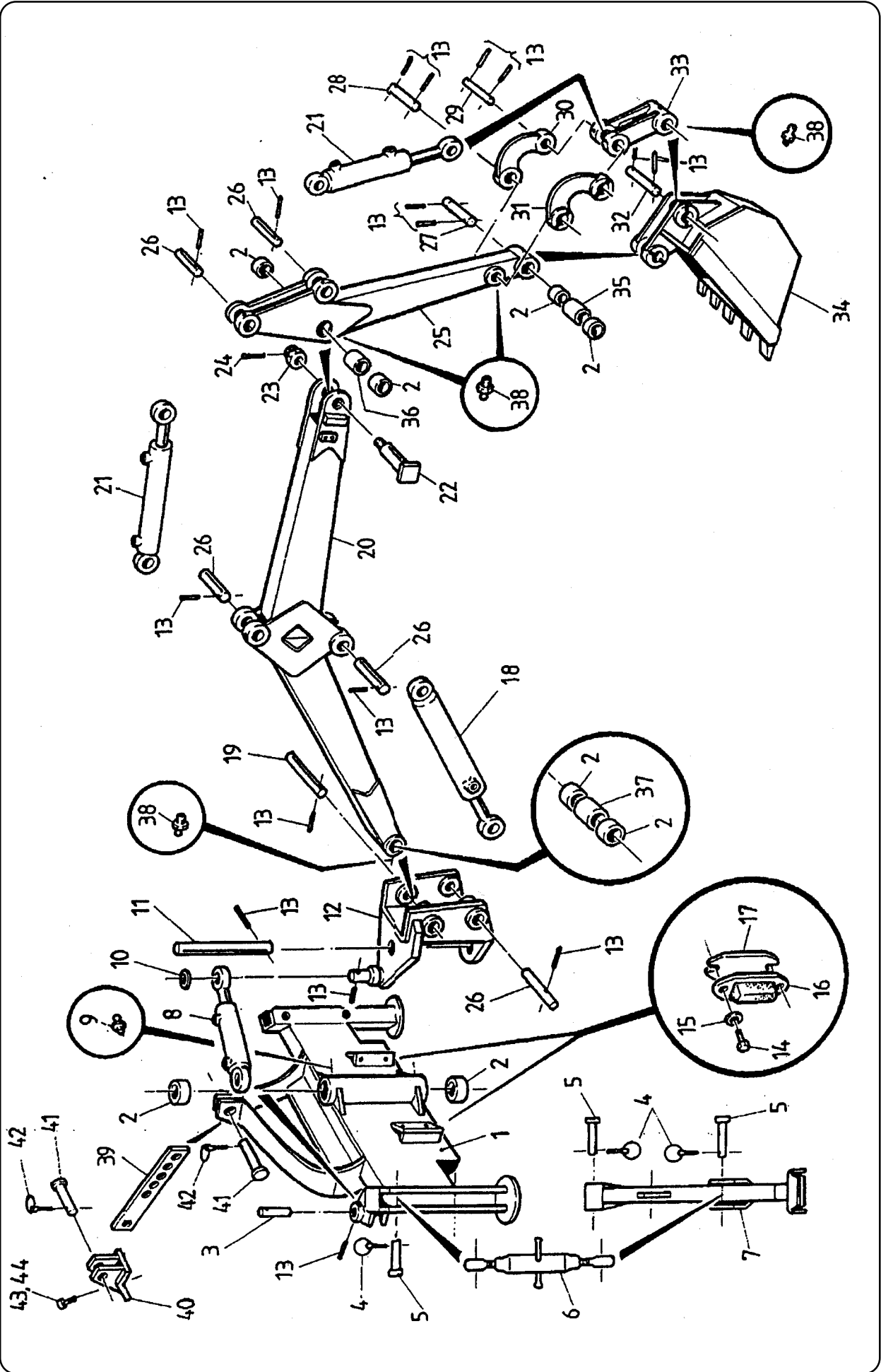


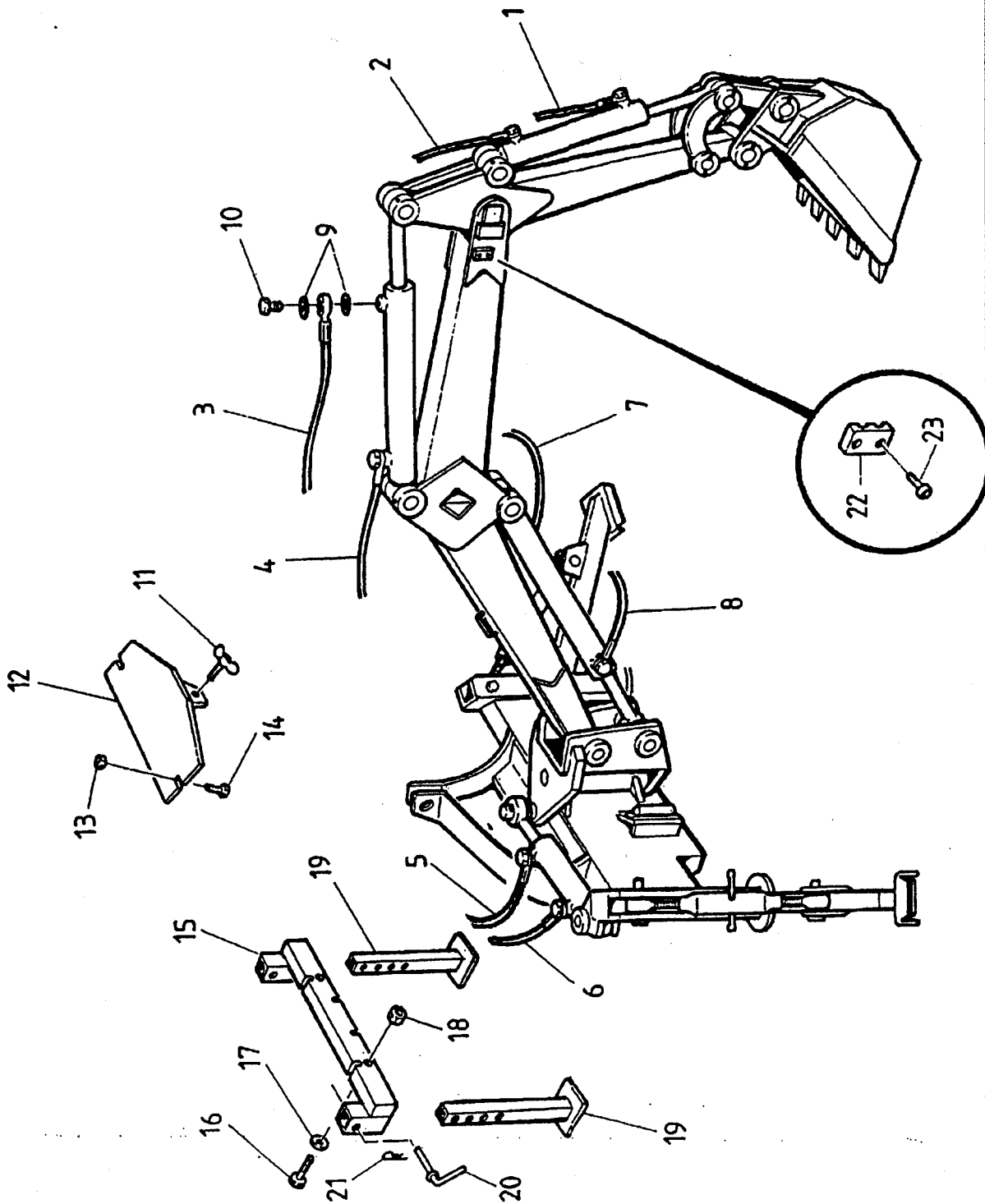
# AVANT backhoe A025

## Parts list

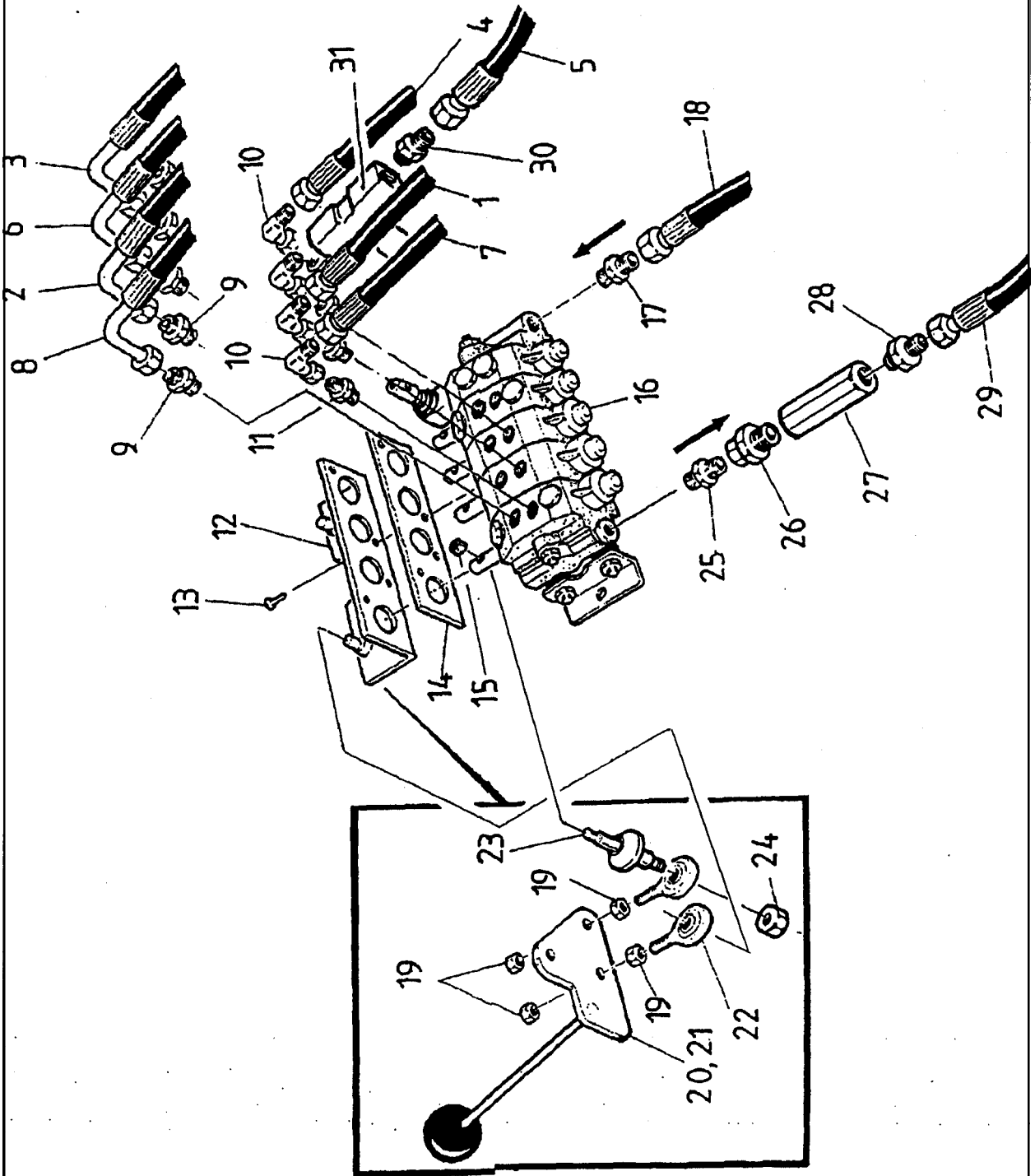




1	A1174	1	FRAME, BACKHOE 205
2	64142	8	BEARING F40/F30 - 30
3	A41733	1	PIN F30 - 80
4	71727	6	RING PIN
5	A41807	6	PIN
6		2	STRETCHING SCREW, L=520
7	A2409	2	OUTRIGGER
8	A3921	1	HYDRAULIC CYLINDER, TURNING, F63/F32-188
9	72799	2	GREASE NIPPLE M6
10	A41715	1	RING
11	A41732	1	PIVOT PIN, TURNING, F30-355
12	A2404	1	FRAME, TURNING SYSTEM
13	71785	17	SPRING COTTER F10*60
14	73039	4	HEXAGONAL SCREW M8*16
15	73122	4	SPACER M8
16		2	RUBBER STOPPER
17	A42370	1	STOPPER PLATE
18	A3919	1	HYDRAULIC CYLINDER 60/32-350
19	A41735	1	PIN F30 - 175
20	A1172	1	LIFT BOOM
21	A3920	2	HYDRAULIC CYLINDER 60/32-300
22	A41707	1	PIN
23	73742	1	CROWN NUT M27
24	71837	1	COTTER PIN
25	A1171	1	DIGGING BOOM
26	A41734	5	PIN F30-120
27	A41753	1	PIN F30-171
28	A41731	1	PIN F25-154
29	A41730	1	PIN F30-154
30	A3969	1	ARTICULATION BAR, RIGHT
31	A3968	2	ARTICULATION BAR, LEFT
32	A41754	1	PIN F25-168
33	A3970	1	ARTICULATION BAR , BUCKET
34	A1180	1	BUCKET, WIDTH 400 MM, or
	A1173	1	BUCKET, WIDTH 250 MM
35	A41817	1	BUSHING F38-35
36	A41818	1	BUSHING F38-40
37	A41819	1	BUSHING F38-55
38	72798	6	GREASE NIPPLE R1/8"
39	A41760	1	FIXING PLATE
40	A41825	1	FIXING EAR
41	A41808	2	LOCKING PIN F20-80
42	71725	2	RING PIN 4,5 MM
43	72191	2	HEXAGONAL SCREW M16*40
44	72330	2	HEXAGONAL NUT M16 NYLOC



1	A41793	1	HYDRAULIC HOSE, L=3700
2	A41794	1	HYDRAULIC HOSE, L=3400
3	A41791	1	HYDRAULIC HOSE, L=2700
4	A41796	1	HYDRAULIC HOSE, L=2300
5	A41787	1	HYDRAULIC HOSE, L=1200
6	A41788	1	HYDRAULIC HOSE, L=1300
7	A41796	1	HYDRAULIC HOSE, L=2300
8	A41791	1	HYDRAULIC HOSE, L=2700
9	73379	16	SEAL RING, USIT R3/8"
10	73954	8	BANJO BOLT R3/8", L=29
11		1	WING SCREW
12	A1182	1	MOUNTING PLATE, CONTROL VALVE
13	72322	2	HEXAGONAL NUT M10 NYLOC
14	72150	2	HEXAGONAL SCREW M10*25
15	A31210	1	REAR WEIGHT
16	72178	4	HEXAGONAL SCREW M12*80
17	73356	4	SPACER M12
18	72324	4	HEXAGONAL NUT M12 NYLOC
19	A41801	2	JACK
20		2	PIN
21	71725	2	RING PIN 4,5 MM
22	64145	4	PIPE CLAMP RSB N218
23	71880	1	HEXAGONAL HEAD SCREW M6*25



1	A41793	1	HYDRAULIC HOSE, L=3700
2	A41794	1	HYDRAULIC HOSE, L=3400
3	A41791	1	HYDRAULIC HOSE, L=2700
4	A41796	1	HYDRAULIC HOSE, L=2300
5	A41787	1	HYDRAULIC HOSE, L=1200
6	A41788	1	HYDRAULIC HOSE, L=1300
7	A41796	1	HYDRAULIC HOSE, L=2300
8	A41791	1	HYDRAULIC HOSE, L=2700
9	64041	1	BASIC FITTING F40XS10-3/8"
10	64043	4	ELBOW FITTING C6XS10
11	64041	4	BASIC FITTING F40XS10-3/8"
12	A3951	1	CONTROL LEVER FIXING PLATE
13	74120	4	HEXAGONAL HEAD SCREW M5*20
14	A41637	1	SUPPORT PLATE
15	A41822	4	NUT, CONTROL LEVER
16	A41668	1	CONTROL VALVE + LEVER
17	64041	1	BASIC FITTING F40XS10-3/8"
18	A41789	1	HYDRAULIC HOSE, PRESSURE L=1040
19	72317	12	HEXAGONAL NUT M6
20	A41786	1	CONTROL LEVER, RIGHT
21	A41785	1	CONTROL LEVER, LEFT
22	63690	6	ARTICULATION BEARING JAM6
23	A41821	4	PIN, CONTROL LEVERS
24	A41822	4	NUT, CONTROL LEVERS
25	64042	1	BASIC FITTING F40XS12-3/8"
26	64082	1	CONNECTOR FITTING F64XS12-3/8"
27	64065	1	CHECK VALVE VUC20
28	64042	1	BASIC FITTING F40XS12-3/8"
29	A41790	1	HYDRAULIC HOSE, RETURN L=1140
30	64059	1	BASIC FITTING F40XS10-1/4"
31	63879	1	RESTRICTOR VALVE
32	64040	1	CONNECTOR FITTING F64XS10-1/4" (FOR RESTRICTOR VALVE)