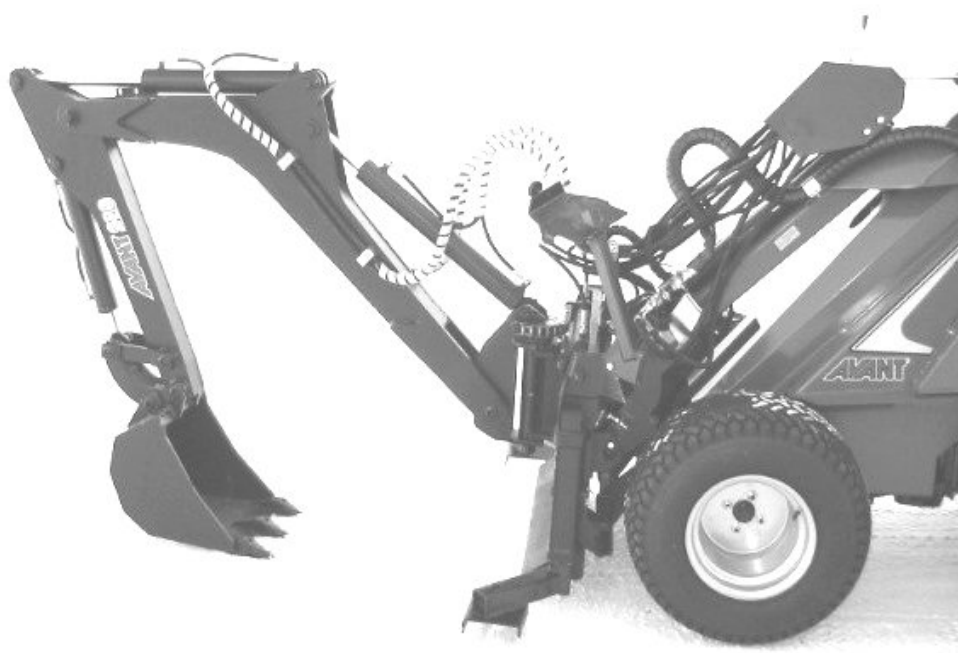


AVANT BACKHOE 220 & 250

A2865, A2890

PARTS LIST

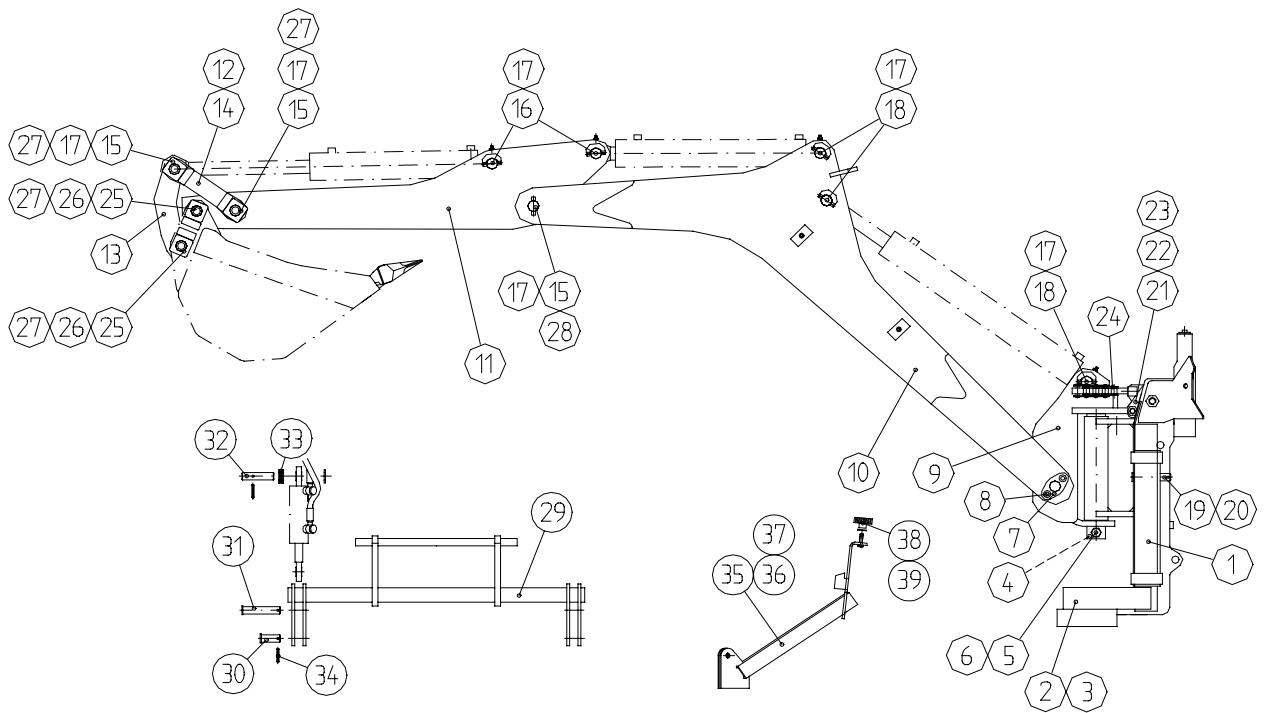


Manufacturer:

AVANT

AVANT TECNO OY
FIN-33470 YLÖJÄRVI, FINLAND
Tel. +358 3 347 8800
Fax. +358 3 348 5511
www.avanttecno.com

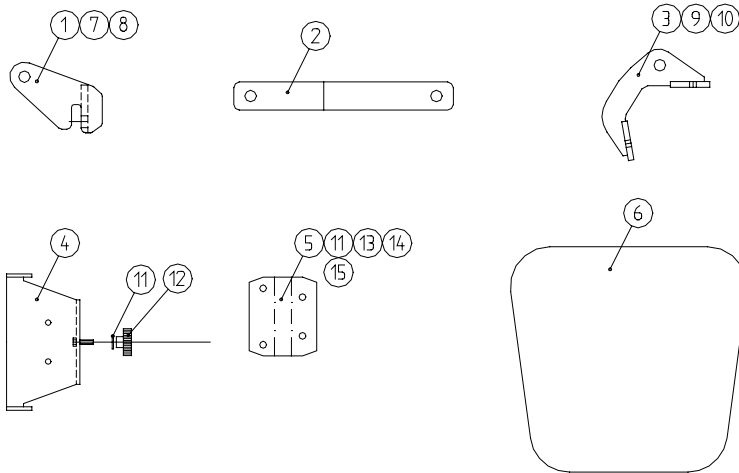
FRAME, BOOMS & STABILISER SYSTEM



FRAME, BOOMS & STABILISER SYSTEM

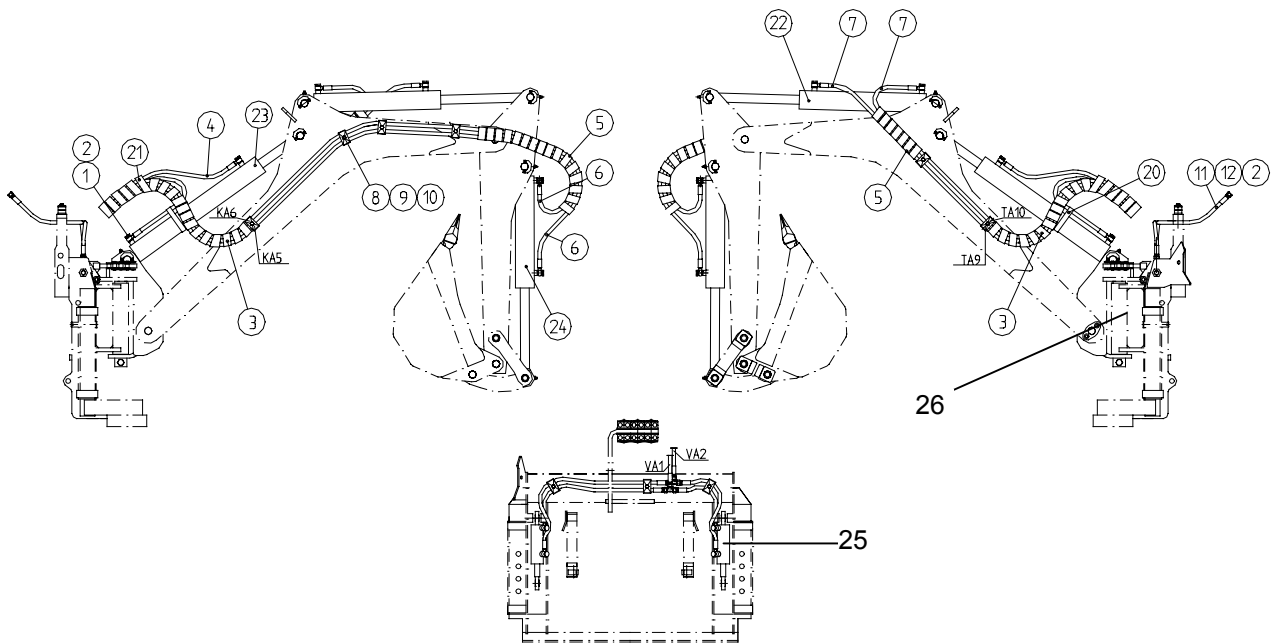
1	A2874	1	Frame
2	A44712	1	Outrigger, left
3	A44540	1	Outrigger, right
4	A44532	1	Pivot pin
5	72196	1	Hexagonal screw M16*70 Din 931 zn
6	72330	1	Hexagonal nut M16 Din 985
7	A44538	1	Pivot pin
8	72053	2	Countersunk hex. head screw M10*20 Din 7991 zn
9	A32372	1	Boom slewing system with bearings
10	A2883	1	Lower boom (Backhoe 220)
10	A2891	1	Lower boom (Backhoe 250)
11	A32424	1	Upper boom with bearings
12	A44394	1	Linkage plate, bucket
13	A44536	1	Linkage lever, bucket
14	A44716	1	Linkage, plate, bucket
15	A44549	3	Pivot pin
16	A44546	2	Pivot pin
17	71784	13	Spring splint 10*50 Din 1481
18	A44550	3	Pivot pin
19	A44554	2	Pin, outrigger
20	71725	2	Ring spling 4.5 mm
21	72335	2	Hexagonal nut M20 Din 985
22	74540	1	Hexagonal nut M20 Din 936 zn
23	A44548	1	Plate
24	A32427	1	Chain, boom slewing, complete
25	A45580	2	Pivot pin
26	74692	2	Ring splint 10.5 Rubig
27	74435	4	Washer M30 Din 125 zn
28	A45581	1	Bushing
29	A32379	1	Stabiliser bar
30	A44553	2	Pivot pin, cylinder lower
31	A44554	2	Pivot pin, stabiliser
32	A44547	2	Pivot pin, cylinder upper
33	74660	8	Washer M20 Din 126
34	71770	6	Spring splint 6*35 Din 1481
35	A44836	1	Bracket, control valve
36	74505	1	Hexagonal screw M10*35 Din 933 zn
37	72322	1	Hexagonal nut M10 Din 985
38	64188	1	Finger screw M8
39	71685	1	Washer R9 Din 440

MOUNTING BRACKETS AND OTHER EQUIPMENT



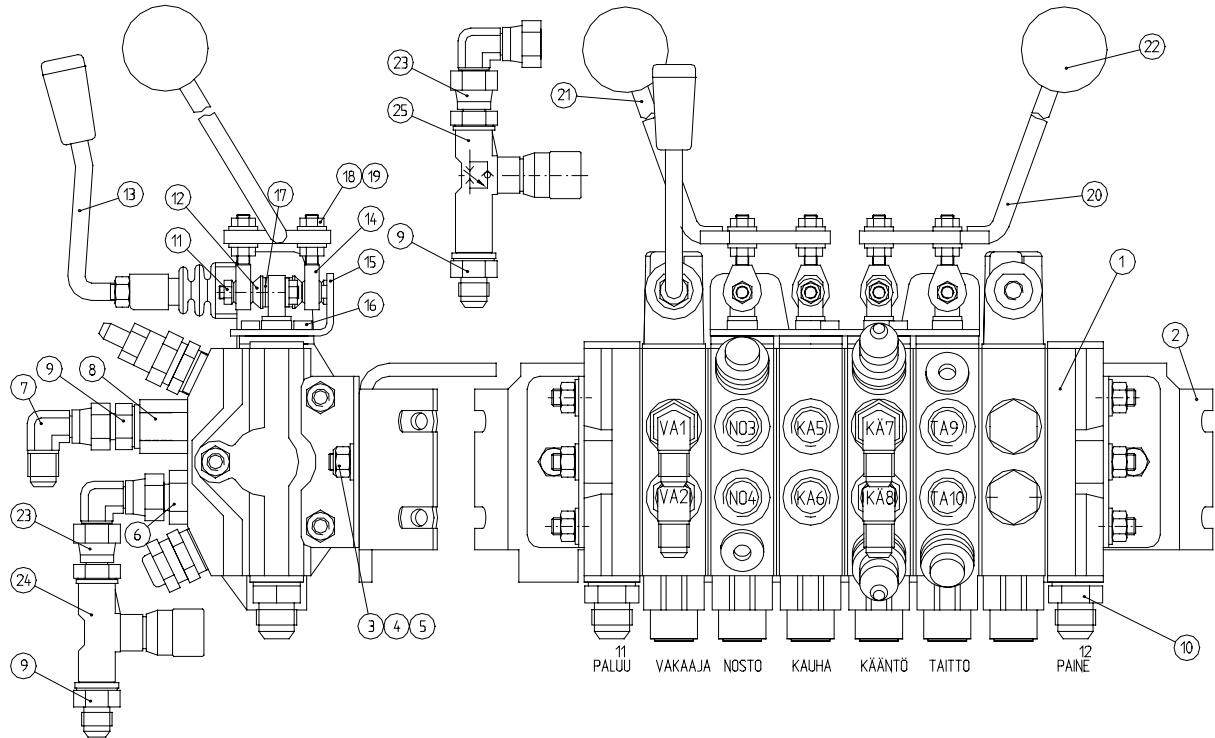
1	A2889	1	Bracket, backhoe-telescopic boom
2	A32385	1	Support bar, backhoe-standard boom
3	A43690	1	Bracket, on standard boom
4	A45365	1	Mounting plate, control valve
5	A42732	1	Plate (control valve mounting plate-standard boom)
6	A44846	1	Pillow 72330
7	A41166	2	Pivot pin
8	71725	2	Ring splint 4.5
9	72192	2	Hexagonal screw M16*45 Din 933 zn
10	72330	2	Hexagonal nut M16 Din 985
11	71685	5	Washer R9 Din 440 zn
12	64188	1	Finger screw M8
13	73039	2	Hexagonal screw M8*16 Din 933 zn
14	72132	2	Hexagonal screw M8*25 Din 933 zn
15	72320	2	Hexagonal nut M8 Din 985

HYDRAULIC CYLINDERS & HOSES



1	64557	6	Banjo bolt R1/4"
2	73757	14	Seal ring Usit R1/4"
3	64296	2	Hose cover, spiral, SP-032 0.7 m
4	A44645	2	Hydraulic hose L=1900 mm
5	64296	2	Hose cover, spiral, SP-032 0.35 m
6	A44565	2	Hydraulic hose L=3900 mm (Kaivuri 220)
6	A44845	2	Hydraulic hose L=4050 mm (Kaivuri 250)
7	A44566	2	Hydraulic hose L=3080 mm (Kaivuri 220)
7	A44844	2	Hydraulic hose L=3230 mm (Kaivuri 250)
8	73443	12	Hexagonal screw M8*35 DIN 933
9	64145	12	Pipe clamp, double
10	73767	12	Plate
11	A44564	2	Hydraulic hose L=1450 mm
12	64059	2	Basic fitting R1/4 outs thr – UNF9/16 jic outs thr
13	A44646	1	Hydraulic hose L=1050 mm
14	64040	2	Basic fitting R1/2 outs thr – UNF9/16 jic outs thr
15	73409	1	Quick coupling nipple 1/2" male
16	73753	1	Cover, quick coupling nipple
17	A44647	1	Hydraulic hose L=1140 mm
18	73457	1	Quick coupling 1/2" female
19	73754	1	Cover, quick coupling
20	64146	3	Strap
21	64248	1	Hose cover, spiral, SP-050 0.6 m
22	A2885	1	Hydraulic cylinder, upper 63/36-370 L=600 mm
23	A2886	1	Hydraulic cylinder, boom lift 63/36-480 L=710 mm
24	A2884	1	Hydraulic cylinder, bucket 63/36-310 L=540 mm
25	A32381	2	Hydraulic cylinder, stabiliser 40/20-60 L=262 mm
26	A31534	1	Hydraulic cylinder, slewing 63/32-305L L=908 mm

CONTROL VALVE, COMPLETE A2894



NIPPA NO. / LETKU, KUMPAAN PÄÄHÄN SYLINTERIÄ

VA1 / VAKAAJA A44563, SYL. PÄÄTYLAIPPA
 VA2 / VAKAAJA A44563, SYL. VARSI
 NO3 / NOSTO A44645, SYL. PÄÄTYLAIPPA
 NO4 / NOSTO A44645, SYL. VARSI
 KA5 / KAUHA A44565 (220), A44845 (250), SYL. PÄÄTYLAIPPA
 KA6 / KAUHA A44565 (220), A44845 (250), SYL. VARSI
 KA7 / KÄÄNTÖ A44564, SYL. VAS.
 KA8 / KÄÄNTÖ A44564, SYL. OIK.
 TA9 / TAITTO A44566 (220), A44844 (250), SYL. VARSI
 TA10 / TAITTO A44566 (220), A44844 (250), SYL. PÄÄTYLAIPPA
 11 / PALUU A44647
 12 / PAINE A44646

VASTUSVENTTIILI, OSA 24, TULEE AUKKOON KÄ8
 VASTUSVASTAVENTTIILI, OSA 25, TULEE AUKKOON NO4

1	A2895	1	Control valve
2	A44827	1	Mounting plate, control valve
3	72130	2	Hexagonal screw M8*20 Din 933
4	72320	2	Hexagonal nut M8 Din 985
5	73122	2	Washer 8.4 Din 125 zn
6	64041	5	Basic fitting R3/8 outs thr – UNF9/16 outside thread
7	64043	10	Elbow fitting 90° UNF9/16 jic ins th–UNF9/16 jic outs t
8	64324	5	Reducer fitting R3/8 outside thr – R1/4 inside thread
9	64059	7	Basic fitting R1/4 outs thr – UNF9/16 jic outs thr
10	64042	2	Basic fitting R3/8 outs thr – UNF3/4 jic outs thr
11	A41822	4	Nut, levers, M6
12	A41821	6	Pin, control levers
13	A42358	1	Control lever
14	63690	6	Rod end bearing, Asahi

15	A3951	1	Control lever frame
16	74472	4	Hexagonal head screw M5*16 Din 912 zn
17	74530	4	Washer, pair, M6
18	72317	16	Hexagonal nut M6 Din 934 zn
19	71680	16	Washer 6.4 DIN 125 zn
20	A44794	1	Control lever, left
21	A44795	1	Control lever, right
22	72624	2	Ball knob M8 C40, bakelite
23	64060	2	Connector nipple R1/4 outs thr – UNF9/16 jic ins thr.
24	63879	1	Restrictor valve, adjustable, R1/4 – R1/4
25	64764	1	One-way restrictor valve, adjustable, R1/4 – R1/4
26	A44651	1	Cover plate, control valve*)
27	72130	4	Hexagonal screw M8*20 Din 933
28	73122	4	Washer 8.4 Din 125 zn

*) Cover plate and screws, part nos. 26, 27 and 28 not shown in the picture.