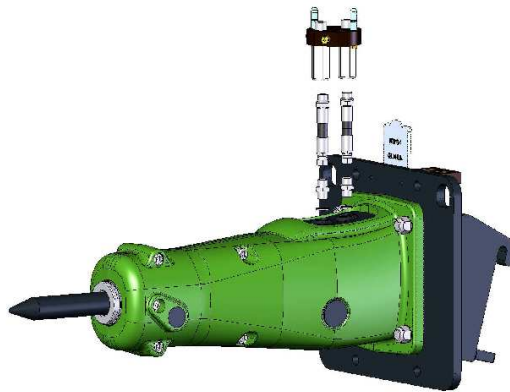


AVANT®

VARAOSAKIRJA
PART LIST
DELLISTA
ERSATZTEILLISTE



Avant Breaker, B105
Hydraulic Breaker, Avant, B105
Pilhammare, Avant, B105
Hydraulikhammer, B105
A36423

22.2.2016

Manufacturer:

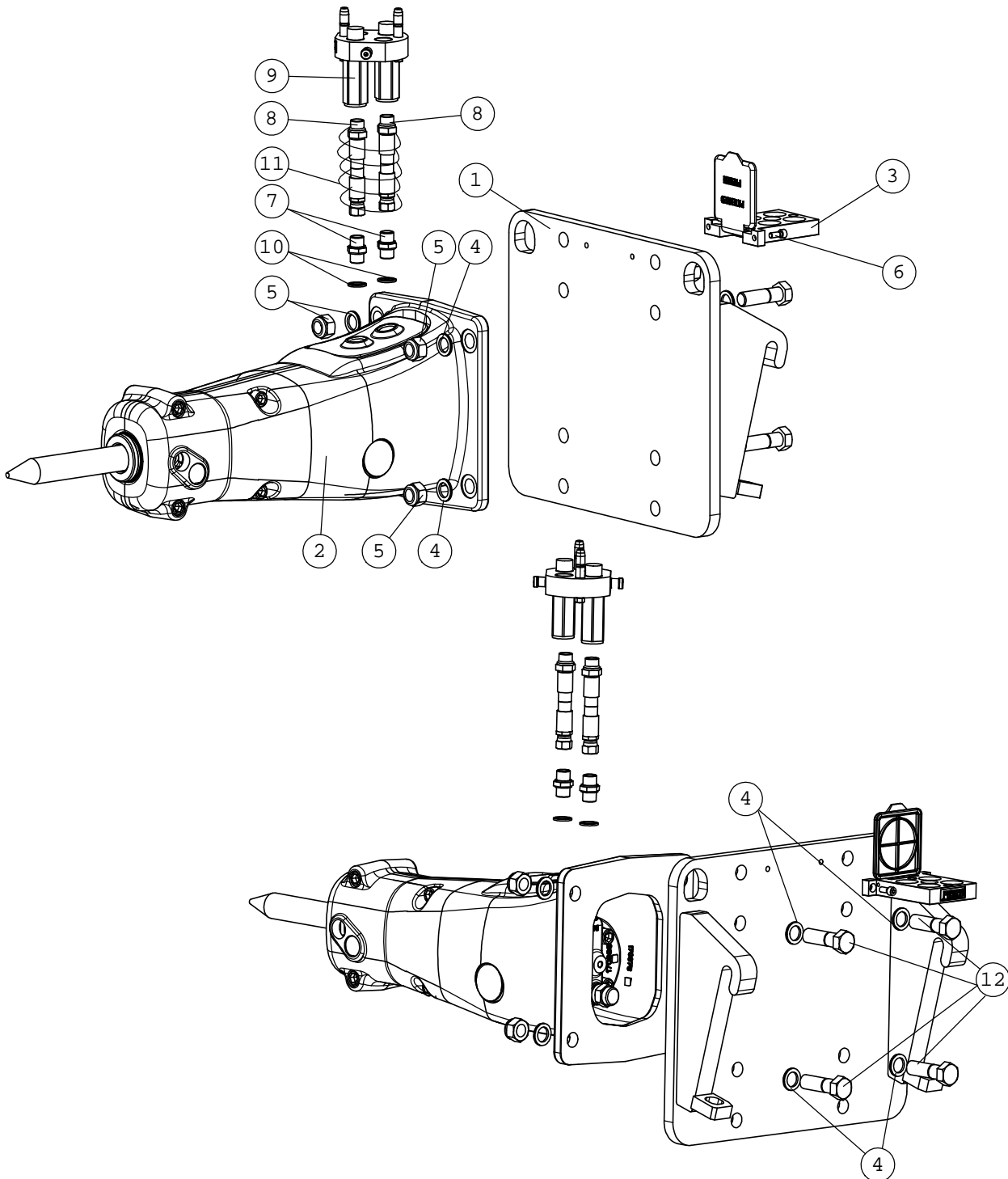
AVANT®
AVANT TECNO OY
e-mail: sales@avanttecno.com

Ylötie 1
33470 Ylöjärvi
FINLAND
Tel. +358 3 347 8800
Fax +358 3 348 5511

www.avanttecno.com

A36423 AVANT BREAKER B105 KOKOONPANO

NRO REF POS TEIL	OSAN NRO PART NO BESTÄLL.NR BEST.NR	KPL QTY ST ST	NIMITYS	DESCRIPTION	BENÄMNING	BEZEICHNUNG
1	A36192	1	ADAPTERI	ATTACHMENT PLATE, B	REDSKAPSFÄSTE, HAMMA	AUFNAHMEPLATTE, BREA
2	66014	1	ISKUVASARA AVANT BRE	HYDRAULIC BREAKER B1	PILHAMMARE B105 UTA	HYDRAULIKHAMMER B105
3	65594	1	PIKALIITINRYHMÄN TEL	PARKING FOR MULTI CO	PARKING FÖR FLERSNAB	PARKING FÜR MULTI-KU
4	74934	8	ALUSLEVYPARI M22	WASHER, PAIR M22 NOR	BRICKA, PAR, M22 NOR	UNTERLEGSCHEIBE-PAAR
5	72339	4	KUUSIOMUTTERI ZN	HEXAGONAL NUT M22 DI	SEKKANTMUTTER M22 DI	SECHSKANTMUTTER M22
6	74481	2	KUUSIOKOLORUUVI ZN	HEXAGONAL HEAD SCREW	SEKKANTHÄLSKRUV M8x2	INNEN-SECHSKANTSCHRA
7	73414	2	KAKSOISNIPPA R1/2"UK	UNION ADAPTER R1/2"U	DUBBELNIPPEL R1/2"U	GERADER STUTZE R1/2
8	a415596	2	HYDR.LETKU L=1500	HYDR. HOSE L=1500	HYDRAULSLANG L=1500	HYDR. SCHLAUCH L=15
9	65371	1	PIKALIITINRYHMÄ	MULTI CONNECTOR, 2 C	FLERKOPPLING, 2 KOPP	MULTI-KUPPLUNG, 2 KU
10	73047	2	USIT-TIIVISTE R1/2"	USIT SEAL RING R/12"	USIT-PACKNING 1/2" F	USIT-DICHTUNGSSCHEIB
11	a412416	1	SUOJASPIRAALI SP-032	HOSE PROTECTOR SPIRA	SLANGSKYDD, SPIRAL,	SCHLAUCHSCHUTZ SPIRA
12	74977	4	KUUSIORUUVI ZN	HEXAGONAL SCREW M22x	SEKKANTSKRUV M22x75	SECHSKANTSCHRAUBE M2

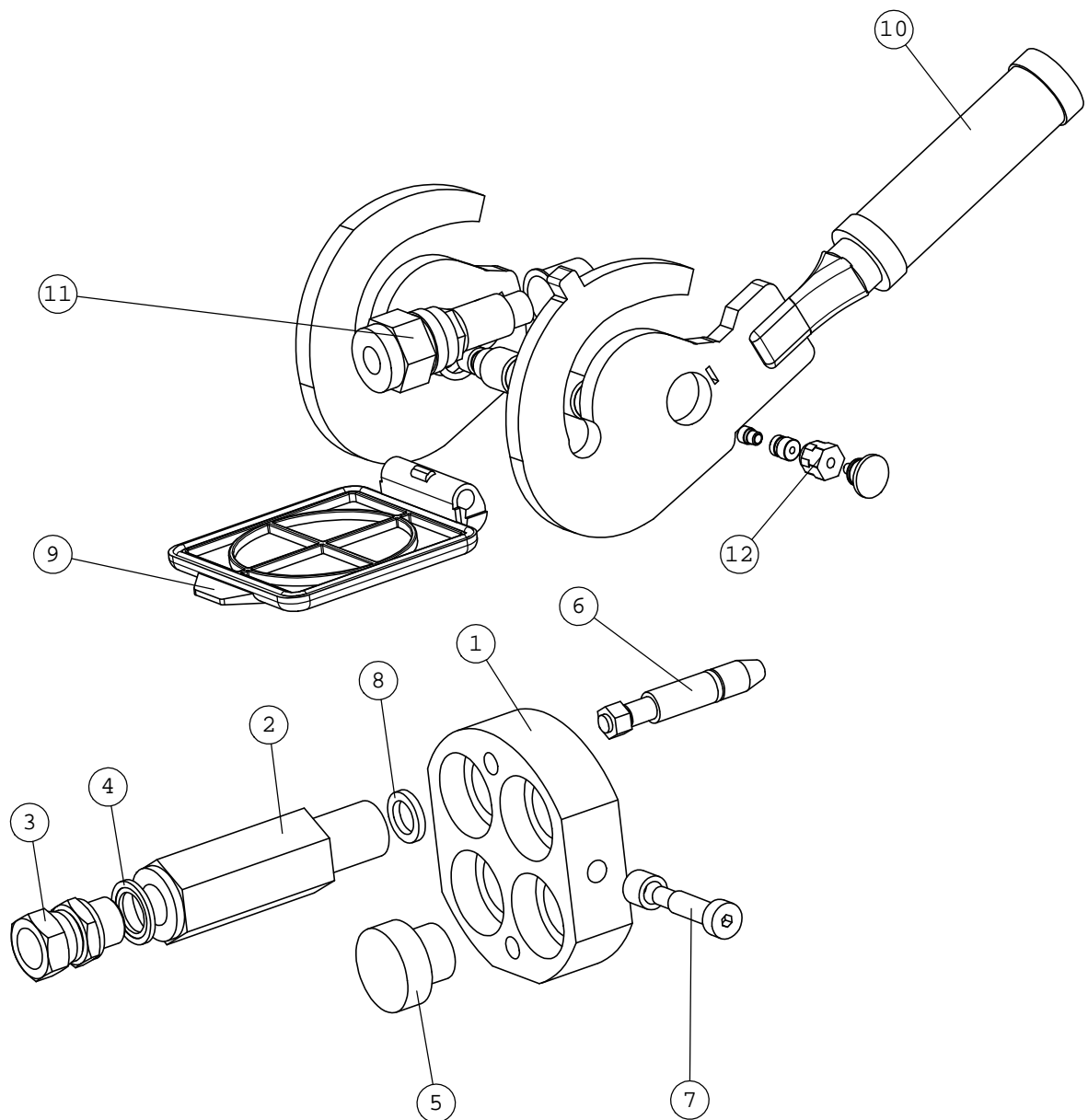


A417531

PIKALIITINRYHMÄ

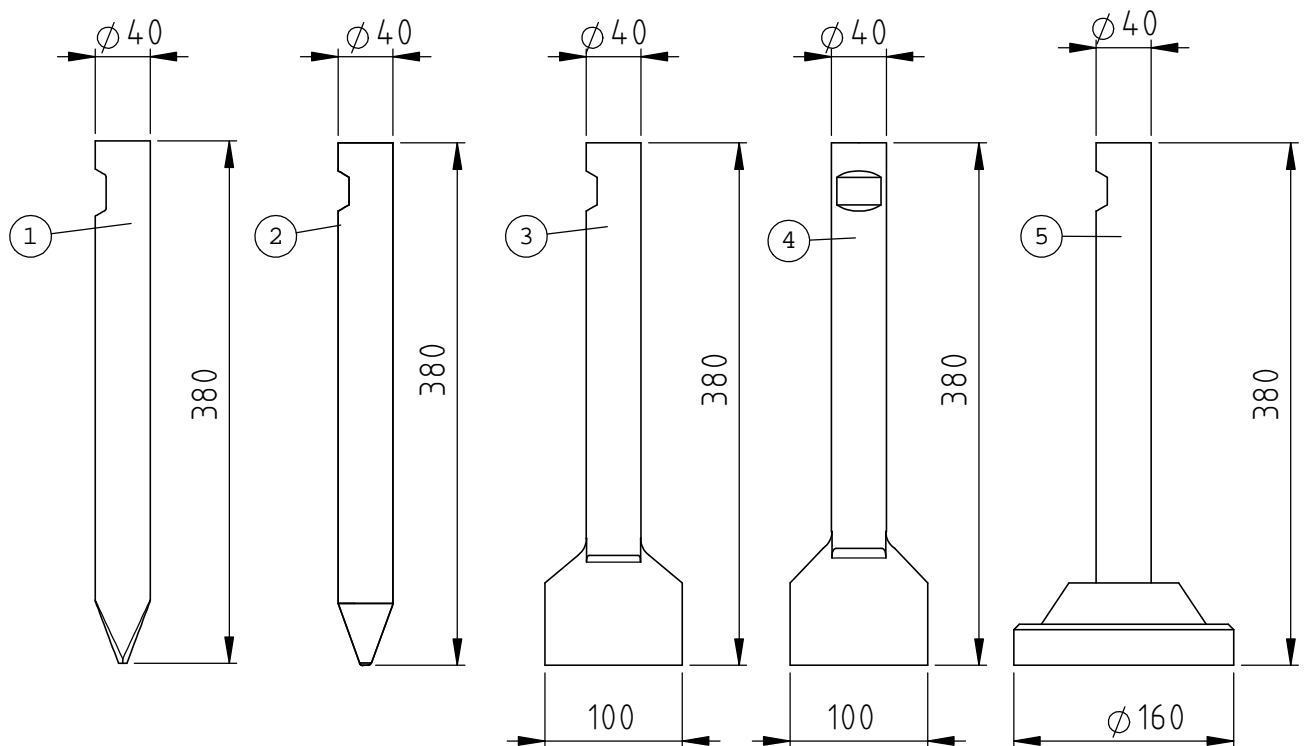
VARAOSAKOKOONPANO

NRO REF POS TEIL	OSAN NRO PART NO BESTÄLL.NR BEST.NR	KPL QTY ST ST	NIMITYS	DESCRIPTION	BENÄMNING	BEZEICHNUNG
1	65628	1	PIKALIITINRUNKO KIT	MULTIFASTER MOBILE B	MULTIFASTER MOBILE B	MULTIFASTER MOBILE B
2	65627	1	PIKALIITIN UROS	CHECK VALVE CARTRIDG	KONTRASTVENTILPATRON	RÜCKSCHLAGVENTIL-PAT
3	65600	1	YHDYSNIPPA	CONNECTOR NIPPLE 8	FÖRBINDINGSNIPPEL	VERBINDUNGSNIPPEL
4	73047	1	USIT-TIIVISTE R1/2"	USIT SEAL RING R/12"	USIT-PACKNING 1/2" F	USIT-DICHTUNGSSCHEIB
5	65626	1	PIKALIITINTULPPA	PLUG, MULTI CONNECTO	PROPP, FLERSNABBKOPP	PROPFEN, KIT, MULTIK
6	65878	1	PIKALIITIN OHJAINAP	GUIDE PIN MULTIFASTE	STYRTAPP MULTIFASTER	STEUERBOLZEN MULTIFA
7	65879	1	PIKALIITIN LUKITUSTA	LOCKING PIN MULTIFAS	LÄSTAPP MULTIFASTER	VERRIEGELUNGSBOLZEN
8	65880	1	PIKALIITIN TIIVISTE	SEAL RING, MULTI CON	PACKNING, FLERSNABBK	DICHTUNG, MULTI-KUPP
9	65882	1	PIKALIITIN SUOJALEVY	CAP PLATE, KIT, MULT	LOCK, KIT, FLERSNABB	SCHUTZDECKEL, KIT, M
10	65884	1	PIKALIITIN LUKITUSVI	HANDLE, KIT, MULTI C	HANDTAG, KIT, FLERSN	GRIFF, KIT, MULTI-KU
11	65881	1	PIKALIITINRUNKO KIT	QUICK COUPLER, ON MU	SNABBKOPPLING, PÅ FL	SCHNELLKUPPLUNG, AUF
12	65883	1	PIKALIITIN LUKITUSPA	SAFETY BUTTON, KIT,	SAKERHETSKNAPP, KIT,	DRUCKKNOPF, KIT, MUL

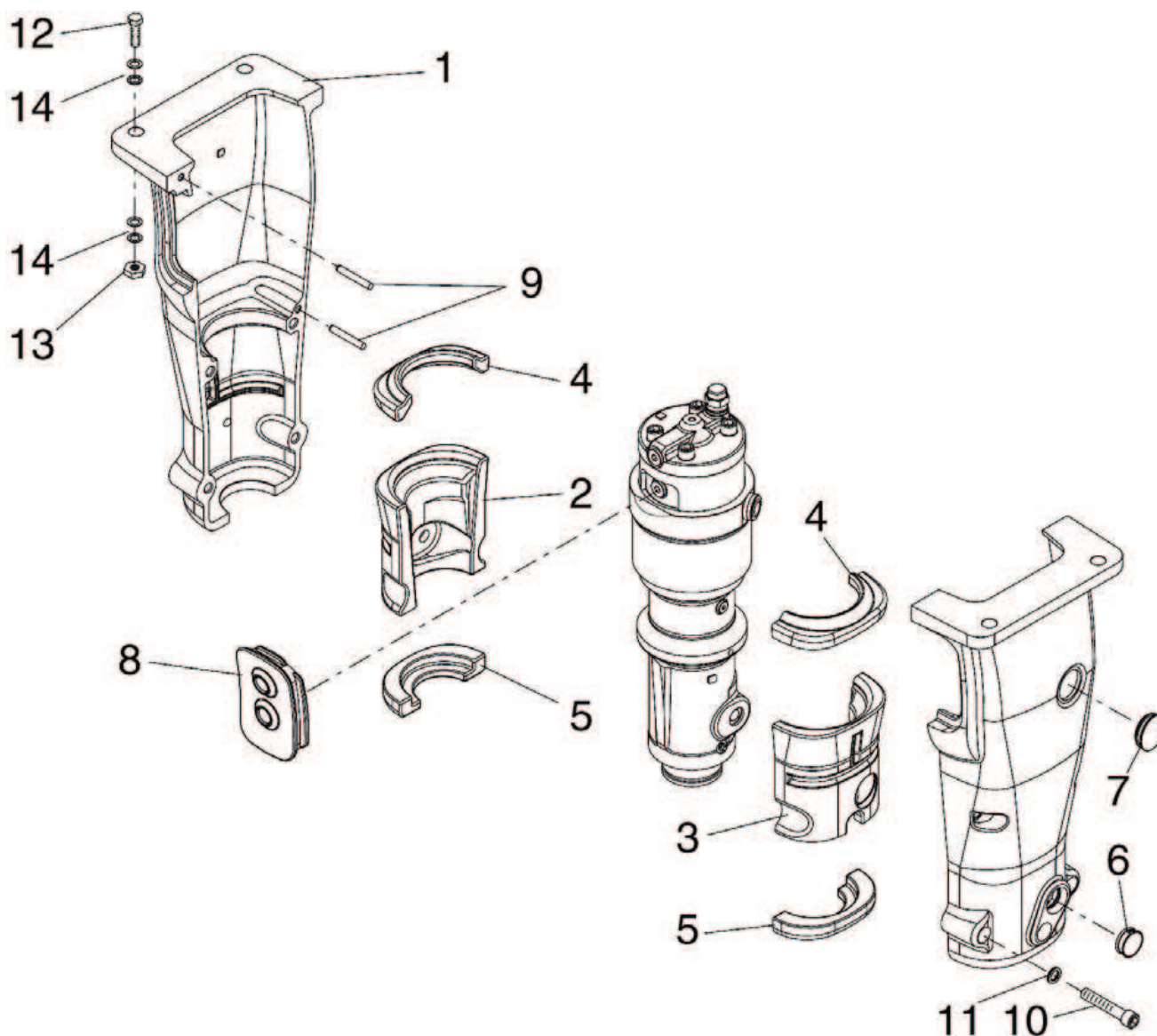


A36834 ISKUVASARA , A36423, ISKUTALTAT

NRO REF POS TEIL	OSAN NRO PART NO BESTÄLL.NR BEST.NR	KPL QTY ST ST	NIMITYS	DESCRIPTION	BENÄMNING	BEZEICHNUNG
1	66016	1	ISKUTALTTA KAPEATALT	TOOL CHISEL, L=380,	ARBETSVERKTYG "CHISE	ARBEITSWERKZEUG "CHI
2	66017	1	ISKUTALTTA PISTEKÄRK	TOOL MOIL POINT, L=3	ARBETSVERKTYG MOIL P	EINSTECKWERKZEUG "MO
3	66018	1	ISKUTALTTA LEVEÄTALT	TOOL SPADE PARALL B0	ARBETSVERKTYG "SPADE	EINSTECKWERKZ. "SPAD
4	66019	1	ISKUTALTTA LEVEÄTALT	TOOL SPADE 90DEG/ B0	ARBETSVERKTYG "SPADE	EINSTECKWERKZ. "SPAD
5	66020	1	ISKUTALTTA TIIVISTIN	TOOL COMPACTING PLAT	ARBETSVERKTYG COMPAC	EINSTECKWERKZ. COMPA

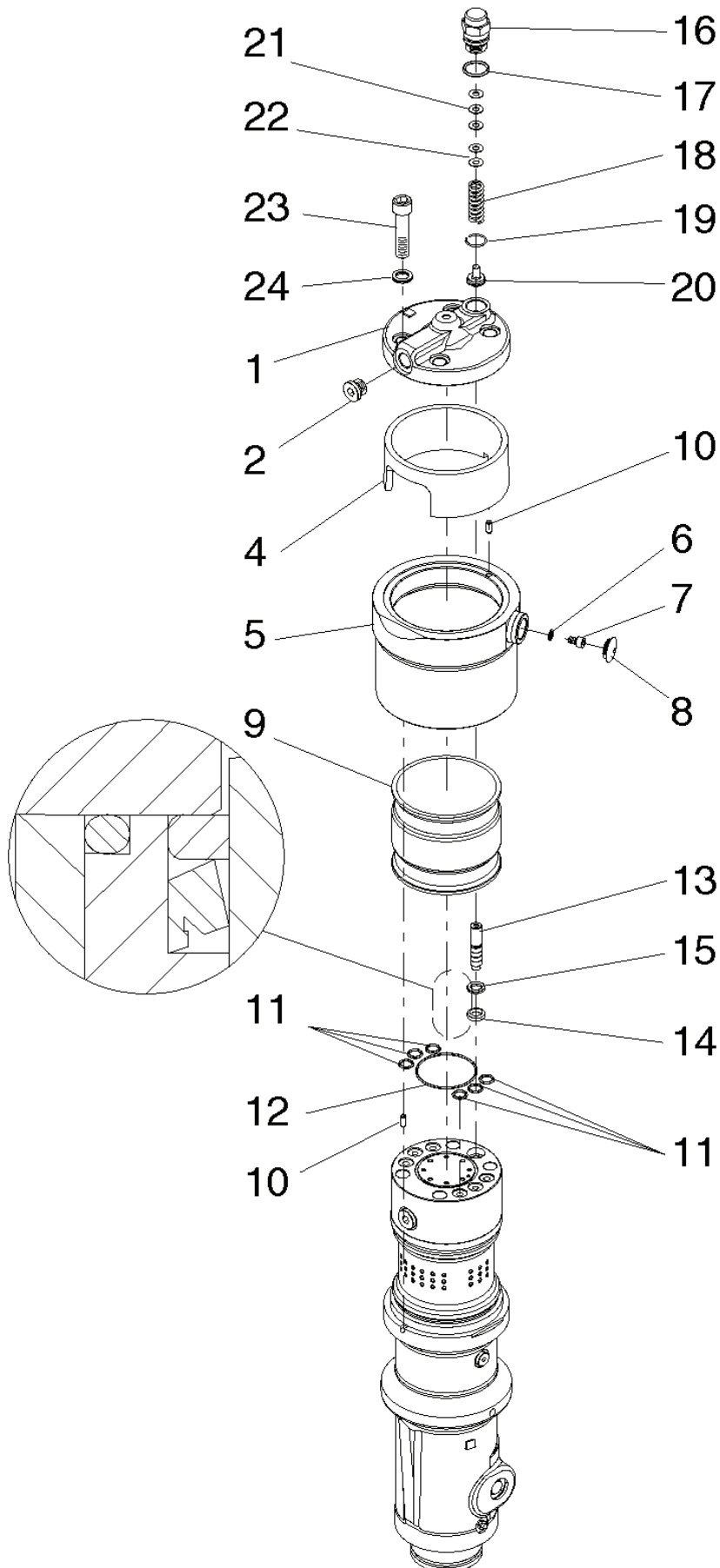


Housing unit



Item	Description	Part no.	Qty
1.	Housing plates	B172984	1
2.	Damper	B170877	1
3.	Damper	B170878	1
4.	Pad	B170879	2
5.	Pad	B170880	2
6.	Plug	B171451	1
7.	Plug	B170871	1
8.	Shield cover	B170894	1
9.	Parallel pin, 10m6x70 ISO 8734	B901101	2
10.	Hex. socket screw, M16x80-8.8 ISO 4762	B900040	4
11.	Lock washer, M16 NORD-LOCK	B90597	4
12.	Hex. screw, M20x70-8.8 ISO 4014	B91027	4
13.	Hex. nut, M20-8 ISO 4032	B91017	4
14.	Lock washer, M20 NORD-LOCK	B91010	8
20.	Label set (incl. part 20.1)	B172988	1
20.1	Safety label set, english	B169400	1

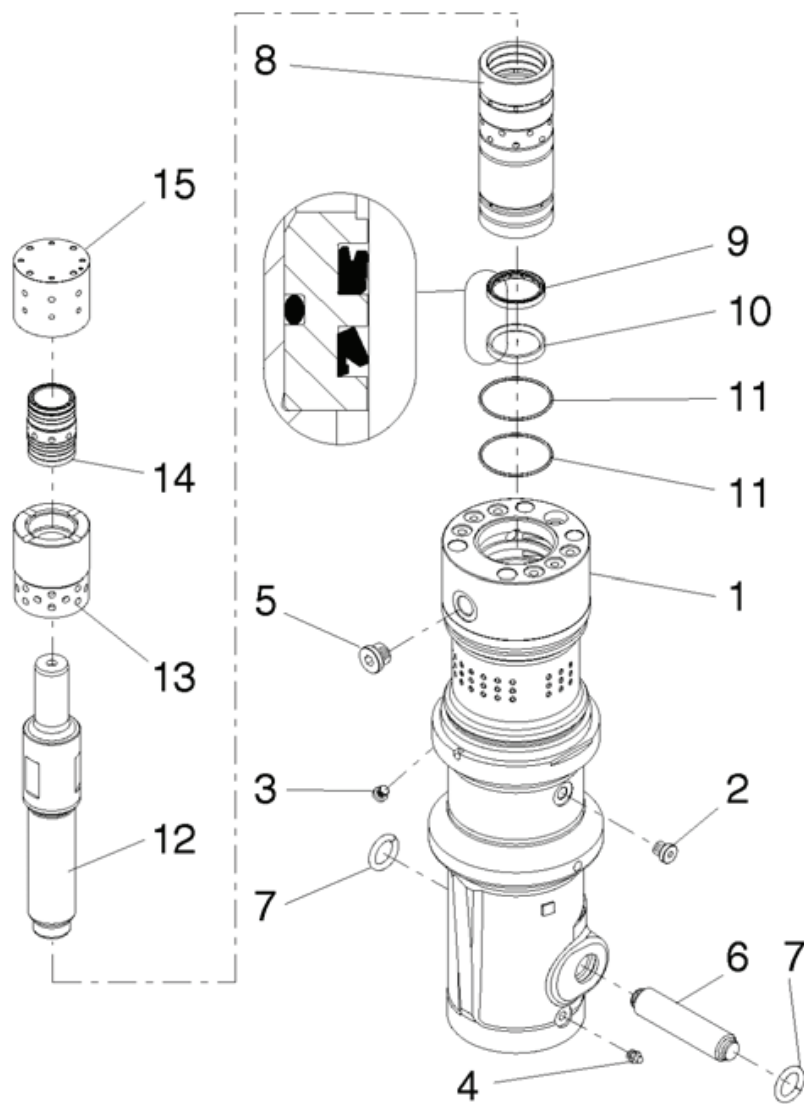
Accumulator and pressure adjusting valve



Item	Description	Part no.	Qty
1.	Cover	B172984	1
2.	Flange plug, R1/2	B170877	1
4.	Assembly ring	B170879	1
5.	Accumulator cover	B170880	1
6.	Usit-ring, 8-13.9-1 *	B171451	1
7.	Filling plug	B170871	1
8.	Shield plug	B170894	1
9.	Membrane	B901101	1
10.	Split pin, 6x16 ISO 8750	B900040	2
11.	O-ring, D11 *	B90597	6
12.	O-ring, D60 *	B91027	1
13.	Pressure adjusting spool	B91017	1
14.	Seal *	B91010	1
15.	Washer	B172988	1
16.	Spring housing	B169400	1
17.	O-ring, D27 *	B172984	1
18.	Spring	B170877	1
19.	Spring ring, B25 DIN 7993	B170878	1
20.	Spring guide	B170879	1
21.	Shim plate, S=1	B170880	X
22.	Shim plate, S=0.5	B171451	X
23.	Hex. socket screw, M16x70-10.9 ISO 4762	B170871	4
24.	Lock washer, M16 NORD-LOCK	B170894	4

*) Are included in seal set

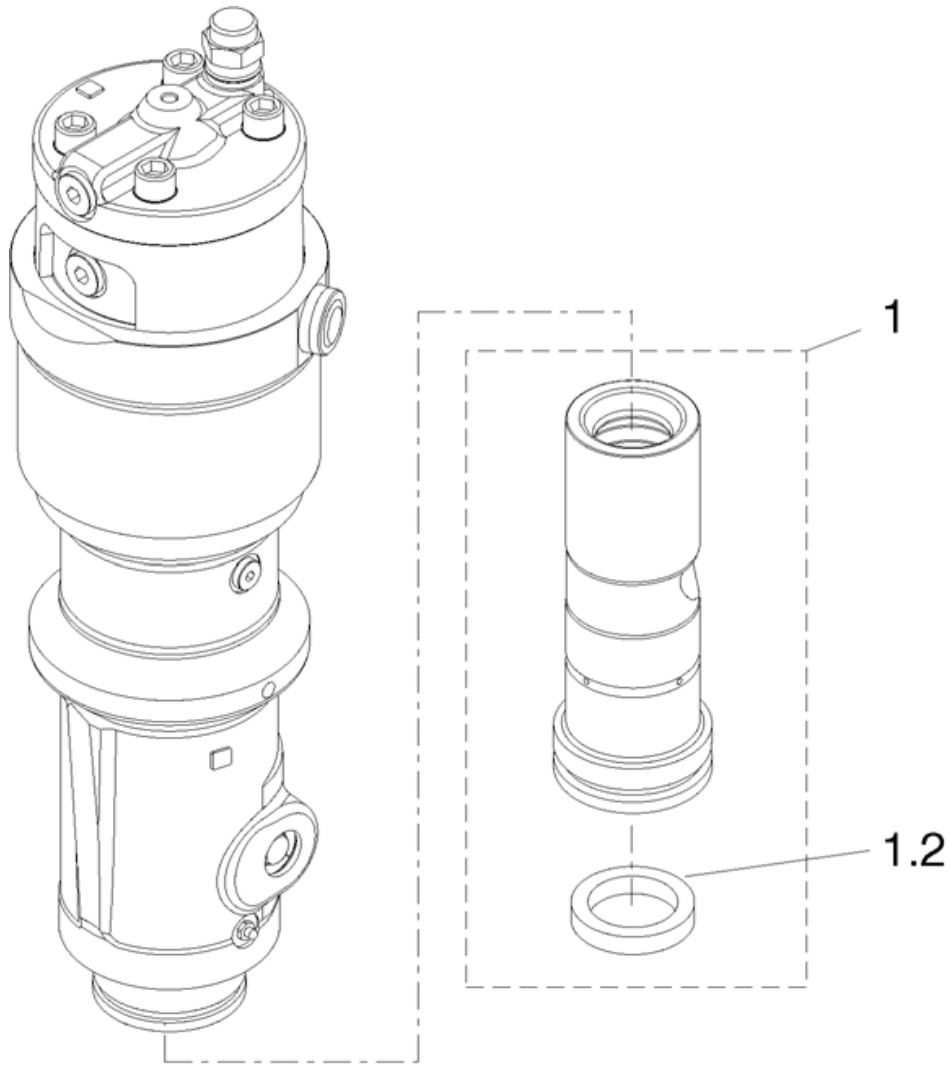
Body parts



Item	Description	Part no.	Qty
1.	Cylinder (incl. parts 2-4)	B170882	1
2.	Flange plug, R1/4	B90403	1
3.	Flange plug, R1/8	B93203	1
4.	Grease nipple, R1/8	B90201	1
5.	Flange plug, R1/2	B90424	1
6.	Tool retaining pin	B170893	1
7.	Rubber ring *	B155532	2
8.	Bushing	B170886	1
9.	Seal *	B954177	1
10.	Seal *	B954179	1
11.	O-ring, D52 *	B951628	2
12.	Piston	B170890	1
13.	Steering ring	B170891	1
14.	Distributor	B170887	1
15.	Distributor cover	B170889	1

*) Are included in seal set

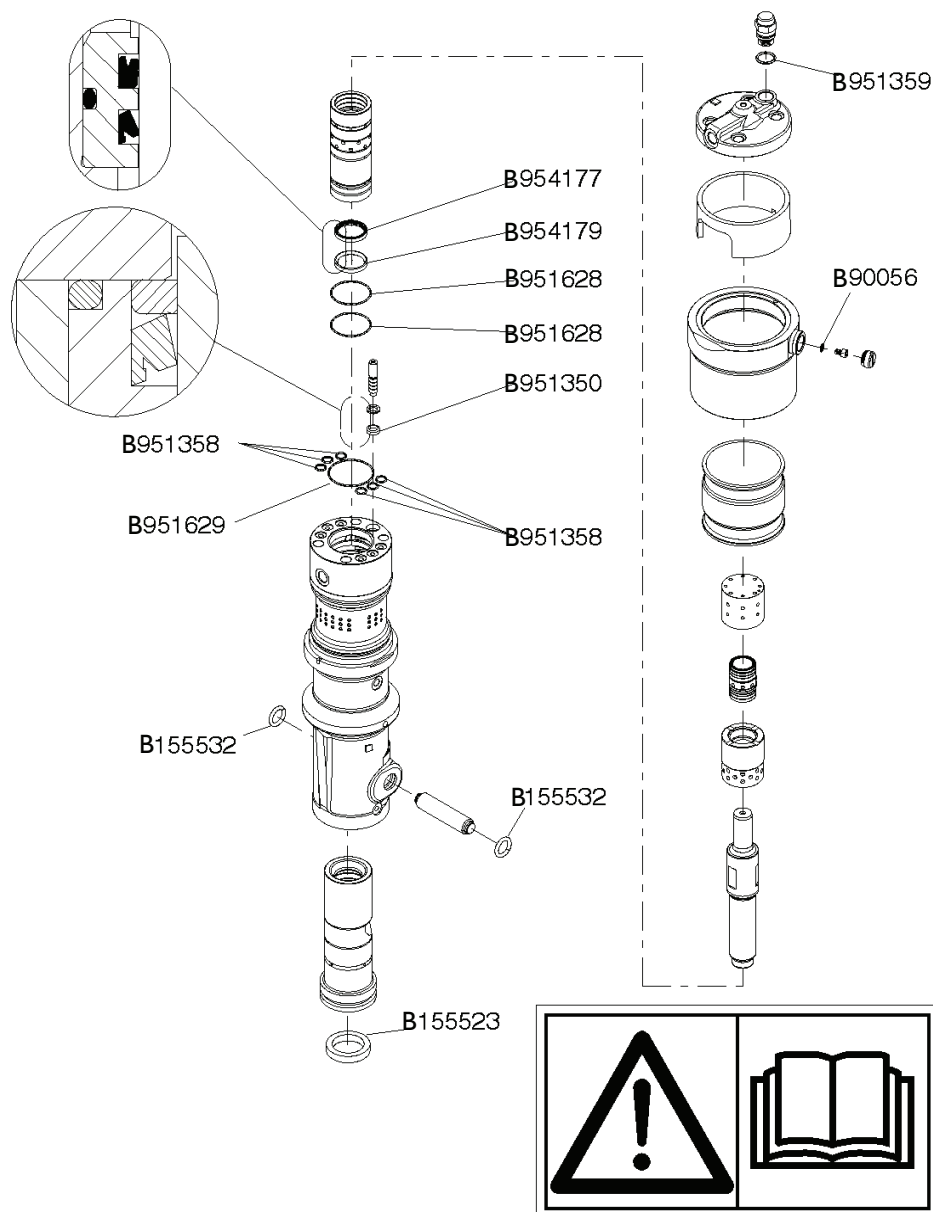
Lower tool bushing



Item	Description	Part no.	Qty
1.	Lower tool bushing (incl. part 1.2)	B170884	1
1.2	Seal *	B155523	1

*) Are included in seal set

Seal set



This summary only indicates the position of the seals. It must NOT be used as assembly instruction. Read the manual.

Item	Description	Part no.	Qty
Kit	Seal set (incl. parts 1-10)	B171119	1
1.	Rubber ring	B155532	2
2.	Seal	B954177	1
3.	Seal	B954179	1
4.	O-ring, D52	B951628	2
5.	Usit-ring, 8-13.9-1	B90056	1
6.	O-ring, D11	B951358	6
7.	O-ring, D60	B951629	1
8.	Seal	B951350	1
9.	O-ring, D27	B951359	1
10.	Seal	B155523	1