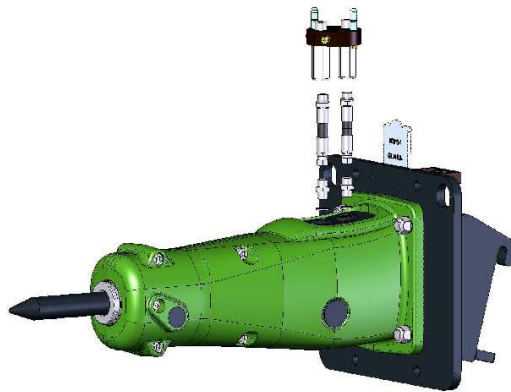


# AVANT®

VARAOSAKIRJA  
PART LIST  
DELLISTA  
ERSATZTEILLISTE



---

Avant Breaker,B155  
Hydraulic Breaker,Avant,B155  
Pilhammare, Avant,B155  
Hydraulikhammer,B155  
**A36424**

22.2.2016

---

Manufacturer:

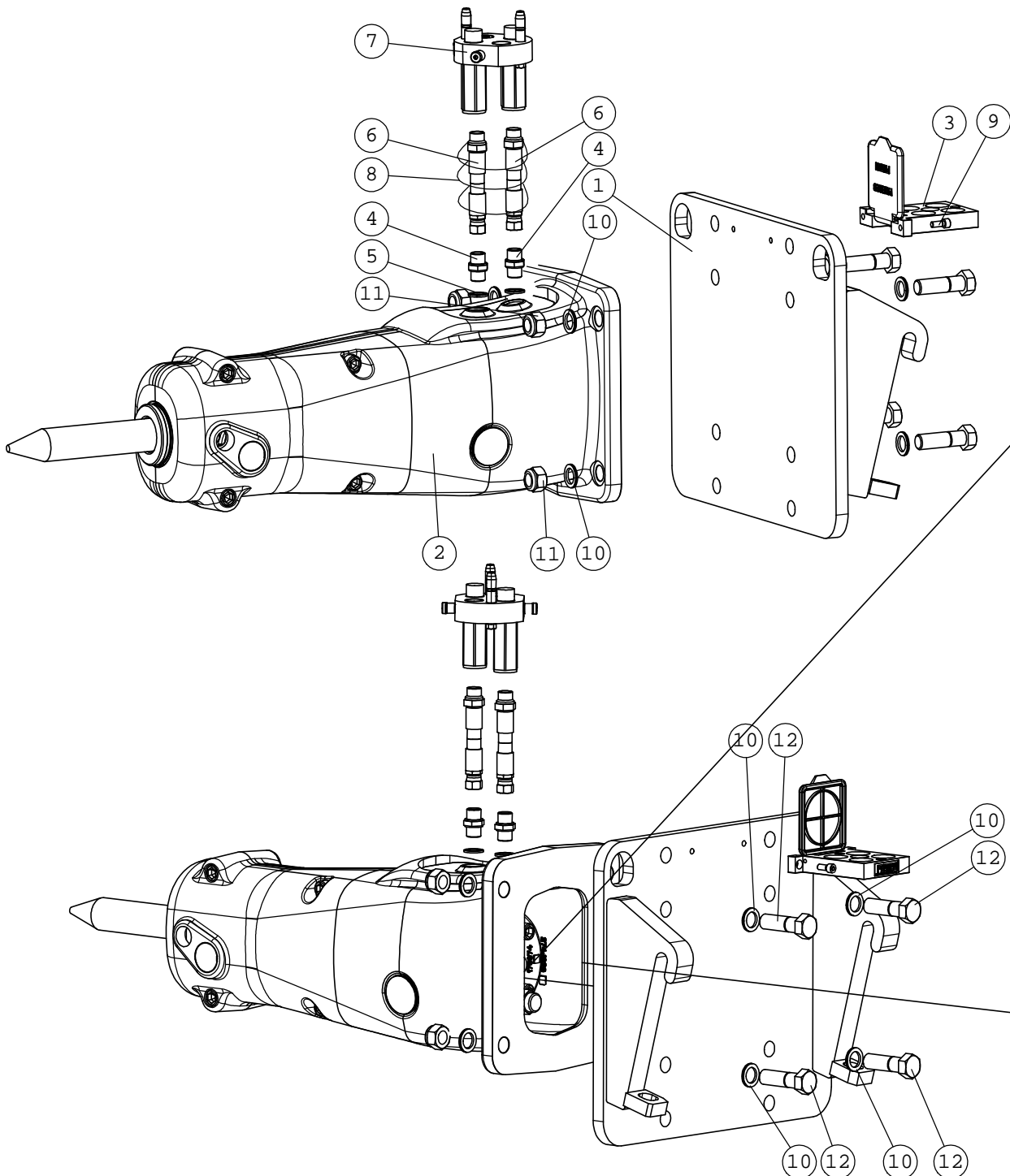
**AVANT**<sup>®</sup>  
AVANT TECNO OY  
e-mail: sales@avanttecno.com

Ylötie 1  
33470 Ylöjärvi  
FINLAND  
Tel. +358 3 347 8800  
Fax +358 3 348 5511

[www.avanttecno.com](http://www.avanttecno.com)

# A36424 AVANT BREAKER B155 KOKOONPANO

NRO REF POS TEIL	OSAN NRO PART NO BESTÄLL.NR BEST.NR	KPL QTY ST ST	NIMITYS	DESCRIPTION	BENÄMNING	BEZEICHNUNG
1	A36192	1	ADAPTERI	ATTACHMENT PLATE, B	REDSKAPSFASTE, HAMMA	AUFNAHMEPLATTE, BREA
2	66015	1	ISKUVASARA AVANT BRE	HYDRAULIC BREAKER B1	PILHAMMARE B155 UTA	HYDRAULIKHAMMER B155
3	65594	1	PIKALIITINRYHMÄN TEL	PARKING FOR MULTI CO	PARKING FÖR FLERSNAB	PARKING FÜR MULTI-KU
4	73414	2	KAKSOISNIPPA R1/2"UK	UNION ADAPTER R1/2"U	DUBBELNIPPEL R1/2"U	GERADER STUTZE R1/2
5	73047	2	USIT-TIIVISTE R1/2"	USIT SEAL RING R/12"	USIT-PACKNING 1/2" F	USIT-DICHTUNGSSCHEIB
6	a415596	2	HYDR.LETKU L=1500	HYDR. HOSE L=1500	HYDRAULSLANG L=1500	HYDR. SCHLAUCH L=15
7	65371	1	PIKALIITINRYHMÄ	MULTI CONNECTOR, 2 C	FLERKOPPLING, 2 KOPP	MULTI-KUPPLUNG, 2 KU
8	a412416	1	SUOJASPIRAALI SP-032	HOSE PROTECTOR SPIRA	SLANGSKYDD, SPIRAL,	SCHLAUCHSCHUTZ SPIRA
9	74481	2	KUUSIOKOLORUUVI ZN	HEXAGONAL HEAD SCREW	SEXKANTHÅLSKRUV M8x2	INNEN-SECHSKANTSCHRA
10	74934	8	ALUSLEVYPARI M22	WASHER, PAIR M22 NOR	BRICKA, PAR, M22 NOR	UNTERLEGSSCHEIBE-PAAR
11	72339	4	KUUSIOMUTTERI ZN	HEXAGONAL NUT M22 DI	SEXKANTMUTTER M22 DI	SECHSKANTMUTTER M22
12	74977	4	KUUSIORUUVI ZN	HEXAGONAL SCREW M22x	SEXKANTSKRUV M22x75	SECHSKANTSCHRAUBE M2

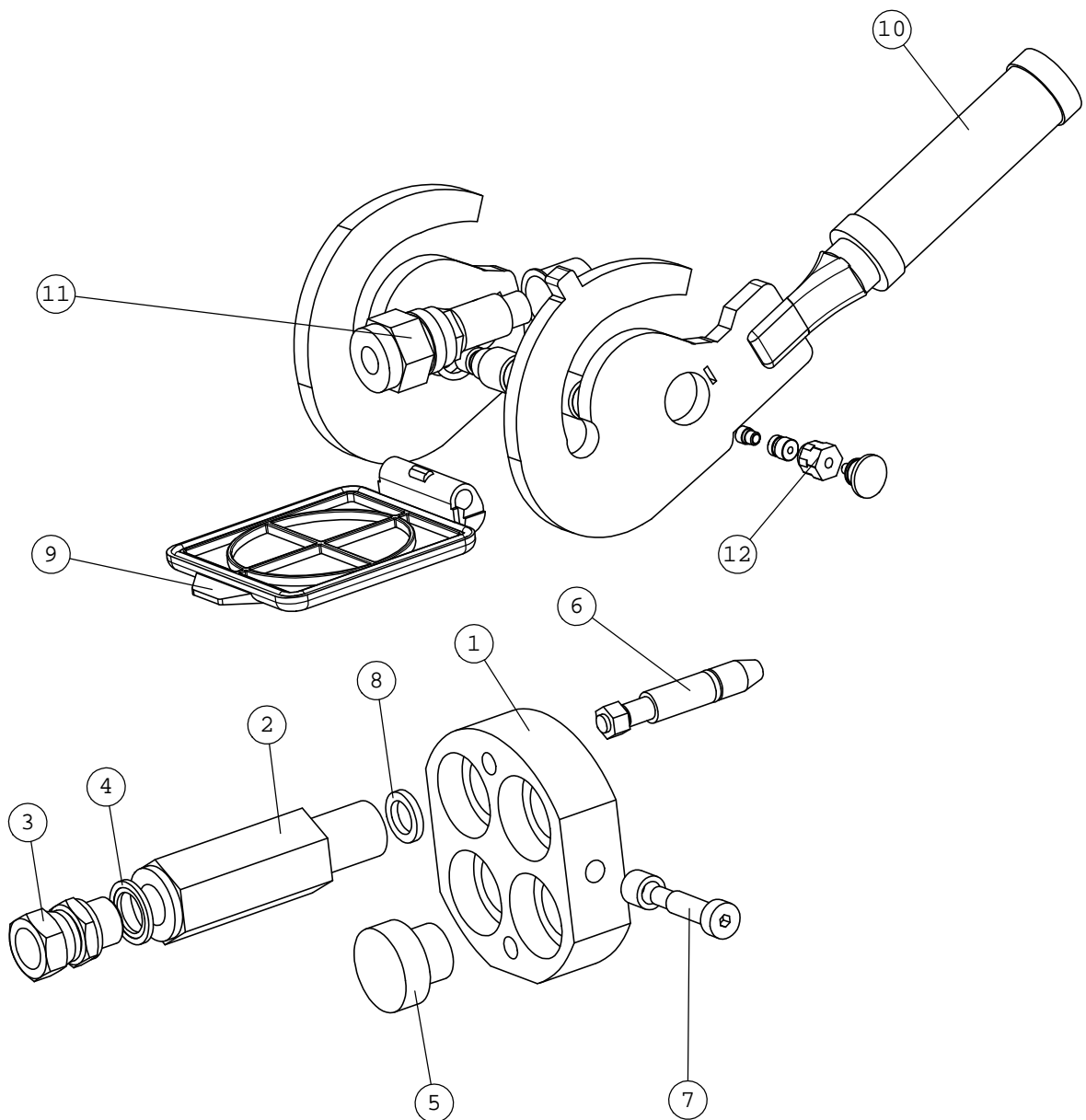


A417531

PIKALIITINRYHMÄ

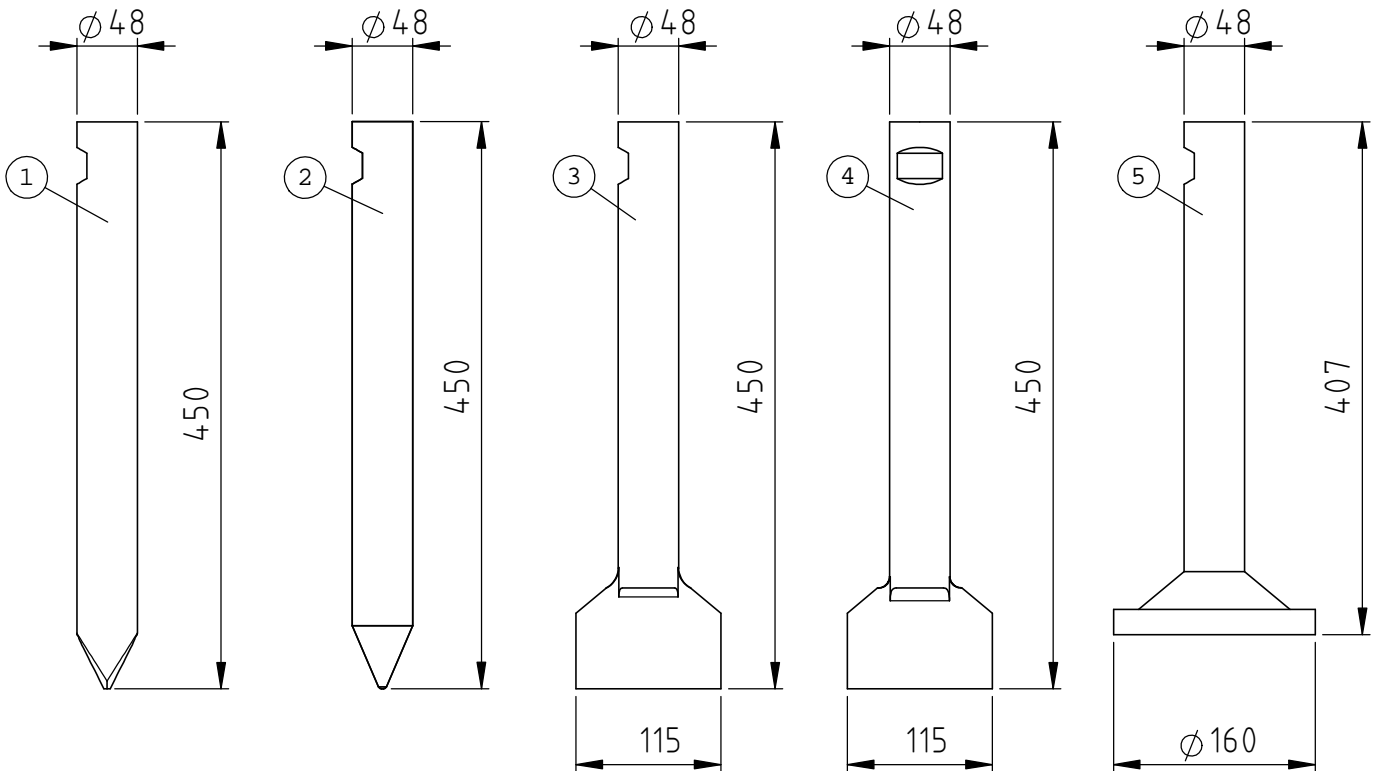
VARAOSAKOKOONPANO

NRO REF POS TEIL	OSAN NRO PART NO BESTÄLL.NR BEST.NR	KPL QTY ST ST	NIMITYS	DESCRIPTION	BENÄMNING	BEZEICHNUNG
1	65628	1	PIKALIITINRUNKO KIT	MULTIFASTER MOBILE B	MULTIFASTER MOBILE B	MULTIFASTER MOBILE B
2	65627	1	PIKALIITIN UROS	CHECK VALVE CARTRIDG	KONTRASTVENTILPATRON	RÜCKSCHLAGVENTIL-PAT
3	65600	1	YHDYSNIPPA	CONNECTOR NIPPLE 8	FÖRBINDINGSNIPPEL	VERBINDUNGSNIPPEL
4	73047	1	USIT-TIIVISTE R1/2"	USIT SEAL RING R/12"	USIT-PACKNING 1/2" F	USIT-DICHTUNGSSCHEIB
5	65626	1	PIKALIITINTULPPA	PLUG, MULTI CONNECTO	PROPP, FLERSNABBKOPP	PROPFEN, KIT, MULTIK
6	65878	1	PIKALIITIN OHJAINAP	GUIDE PIN MULTIFASTE	STYRTAPP MULTIFASTER	STEUERBOLZEN MULTIFA
7	65879	1	PIKALIITIN LUKITUSTA	LOCKING PIN MULTIFAS	LÄSTAPP MULTIFASTER	VERRIEGELUNGSBOLZEN
8	65880	1	PIKALIITIN TIIVISTE	SEAL RING, MULTI CON	PACKNING, FLERSNABBK	DICHTUNG, MULTI-KUPP
9	65882	1	PIKALIITIN SUOJALEVY	CAP PLATE, KIT, MULT	LOCK, KIT, FLERSNABB	SCHUTZDECKEL, KIT, M
10	65884	1	PIKALIITIN LUKITUSVI	HANDLE, KIT, MULTI C	HANDTAG, KIT, FLERSN	GRIFF, KIT, MULTI-KU
11	65881	1	PIKALIITINRUNKO KIT	QUICK COUPLER, ON MU	SNABBKOPPLING, PÅ FL	SCHNELLKUPPLUNG, AUF
12	65883	1	PIKALIITIN LUKITUSPA	SAFETY BUTTON, KIT,	SAKERHETSKNAPP, KIT,	DRUCKKNOPF, KIT, MUL

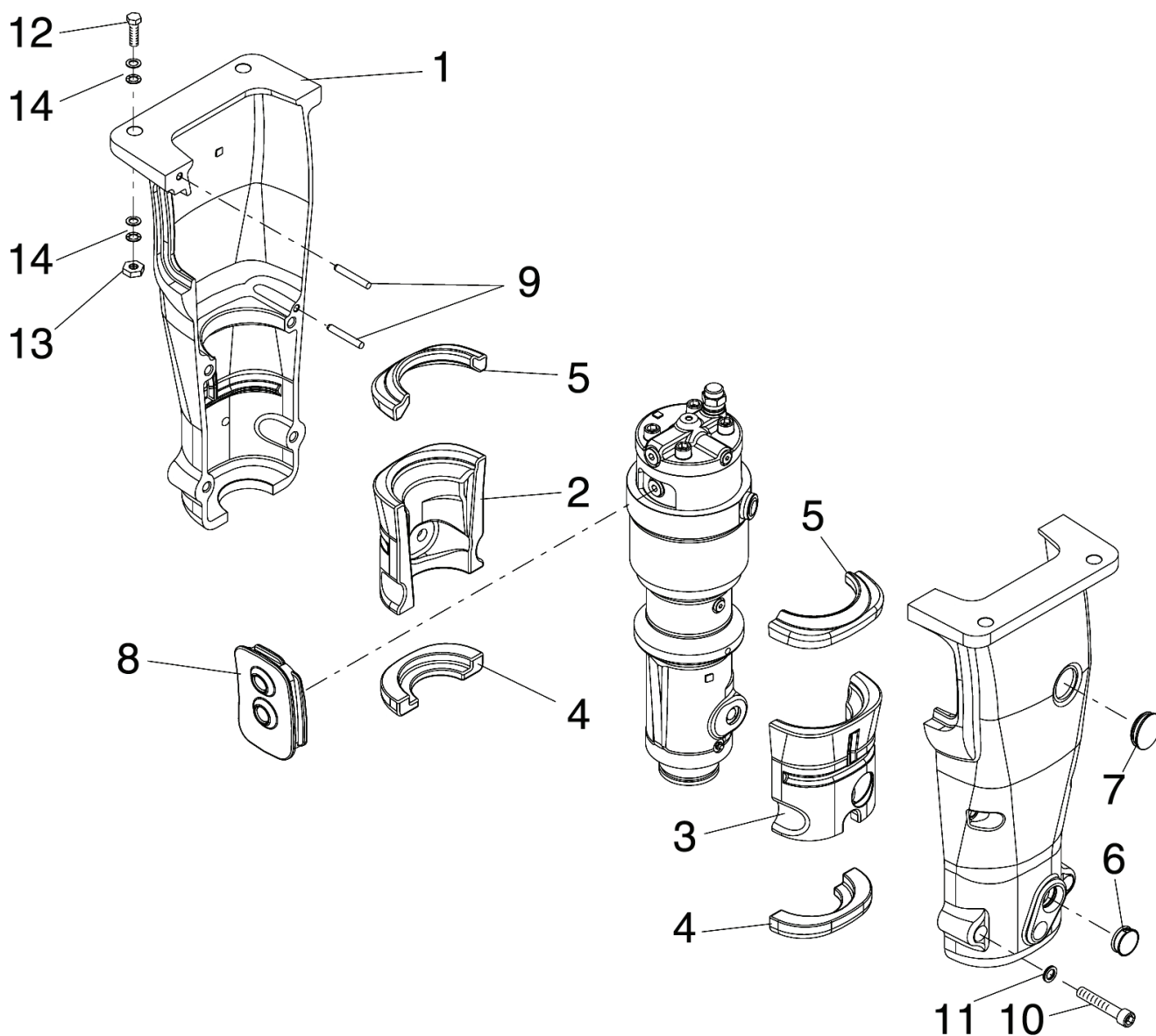


# A36835 ISKUVASARA, A36424, ISKUTALTAT

NRO REF POS TEIL	OSAN NRO PART NO BESTÄLL.NR BEST.NR	KPL QTY ST ST	NIMITYS	DESCRIPTION	BENÄMNING	BEZEICHNUNG
1	66021	1	ISKUTALTTA KAPEATALT	TOOL CHISEL, L=450,	ARBETSVERKTYG "CHISE	EINSTECKWERKZEUG CHI
2	66022	1	ISKUTALTTA PISTEKÄRK	TOOL MOIL POINT, L=4	ARBETSVERKTYG MOIL P	EINSTECKWERKZEUG "MO
3	66023	1	ISKUTALTTA LEVEÄTALT	TOOL SPADE PARALL BO	ARBETSVERKTYG "SPADE	EINSTECKWERKZ. "SPAD
4	66024	1	ISKUTALTTA LEVEÄTALT	TOOL SPADE 90DEG/ BO	ARBETSVERKTYG "SPADE	EINSTECKWERKZ. "SPAD
5	66025	1	ISKUTALTTA TIIVISTIN	TOOL COMPACTING PLAT	ARBETSVERKTYG COMPAC	EINSTECKWERKZ. COMPA

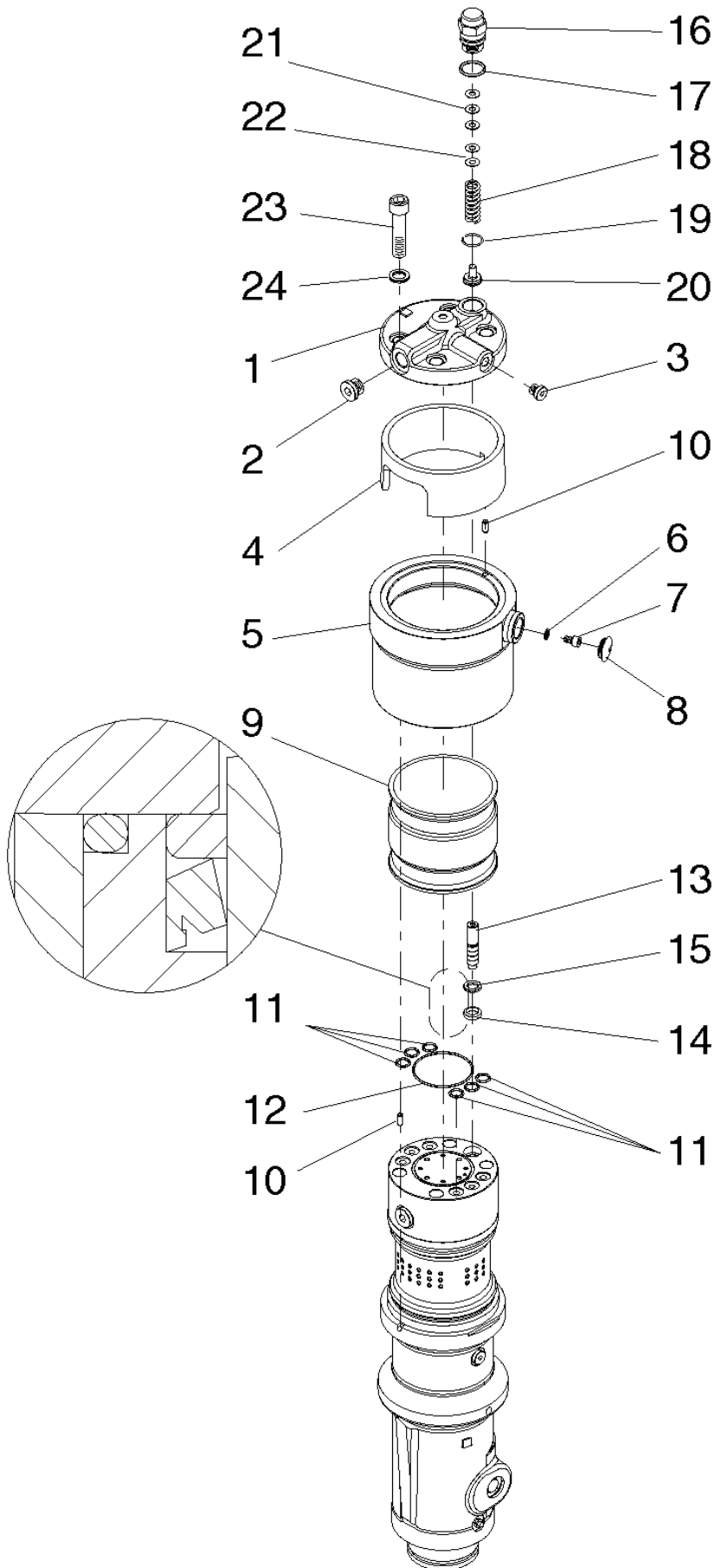


## Housing unit



Item	Description	Part no.	Qty
1.	Housing plates	B172985	1
2.	Damper	B170900	1
3.	Damper	B170901	1
4.	Pad	B170898	2
5.	Pad	B170899	2
6.	Plug	B171450	1
7.	Plug	B170871	1
8.	Shield cover	B170894	1
9.	Parallel pin, 10m6x70 ISO 8734	B901101	2
10.	Hex. socket screw, M16x80-8.8 ISO 4762	B900004	4
11.	Lock washer, M16 NORD-LOCK	B90597	4
12.	Hex. screw, M20x70-8.8 ISO 4014	B91022	4
13.	Hex. nut, M20-8 ISO 4032	B91017	4
14.	Lock washer, M20 NORD-LOCK	B91010	8
20.1	Safety label set, english	B169400	1

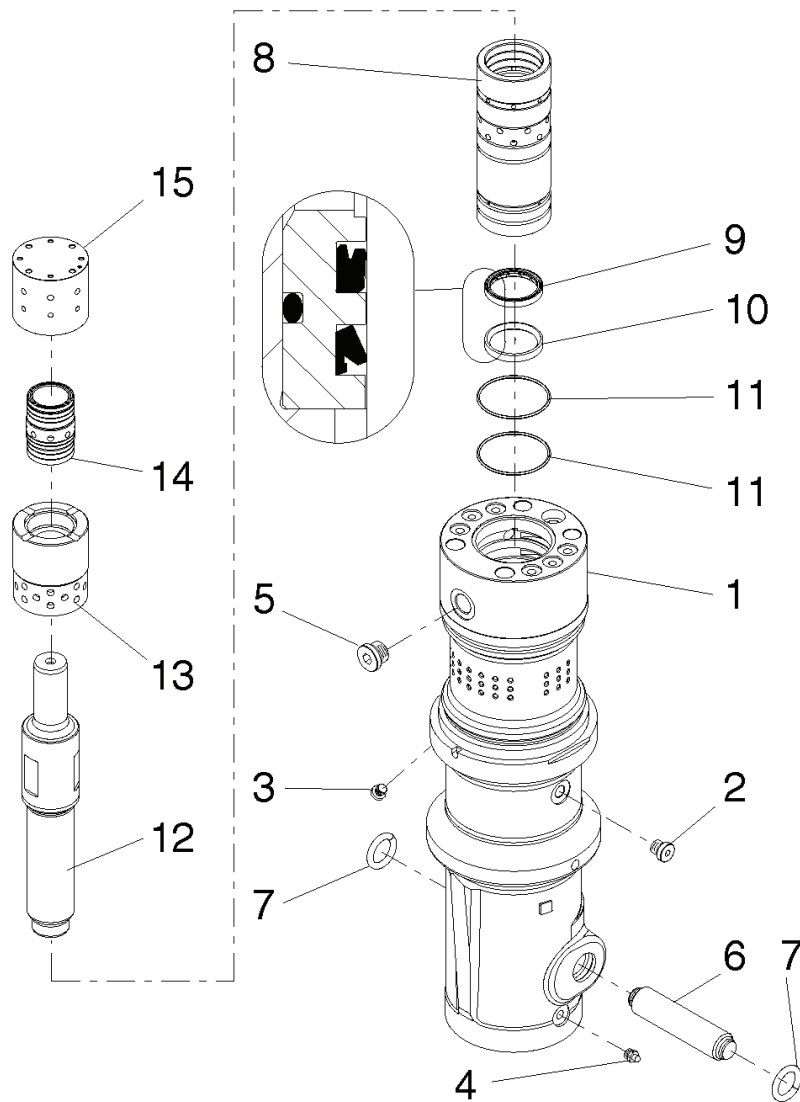
**Accumulator and pressure adjusting valve**



Item	Description	Part no.	Qty
1.	Cover	B170974	1
2.	Flange plug, R1/2	B90424	1
3.	Flange plug, R1/4	B90403	1
4.	Assembly ring	B170982	1
5.	Accumulator cover	B170897	1
6.	Usit-ring, 8-13.9-1 *	B90056	1
7.	Filling plug	B42074	1
8.	Shield plug	B954323	1
9.	Membrane	B113062	1
10.	Split pin, 6x16 ISO 8750	B90327	2
11.	O-ring, D14 *	B94024	6
12.	O-ring, D73 *	B951912	1
13.	Pressure adjusting spool	B170892	1
14.	Seal *	B951350	1
15.	Washer	B170868	1
16.	Spring housing	B170870	1
17.	O-ring, D27 *	B951359	1
18.	Spring	B951625	1
19.	Spring ring, B25 DIN 7993	B902988	1
20.	Spring guide	B170869	1
21.	Shim plate, S=1	B41640	X
22.	Shim plate, S=0.5	B41639	X
23.	Hex. socket screw, M16x70-10.9 ISO 4762	B951631	4
24.	Lock washer, M16 NORD-LOCK	B90597	4

\*) Are included in seal set

## Body parts

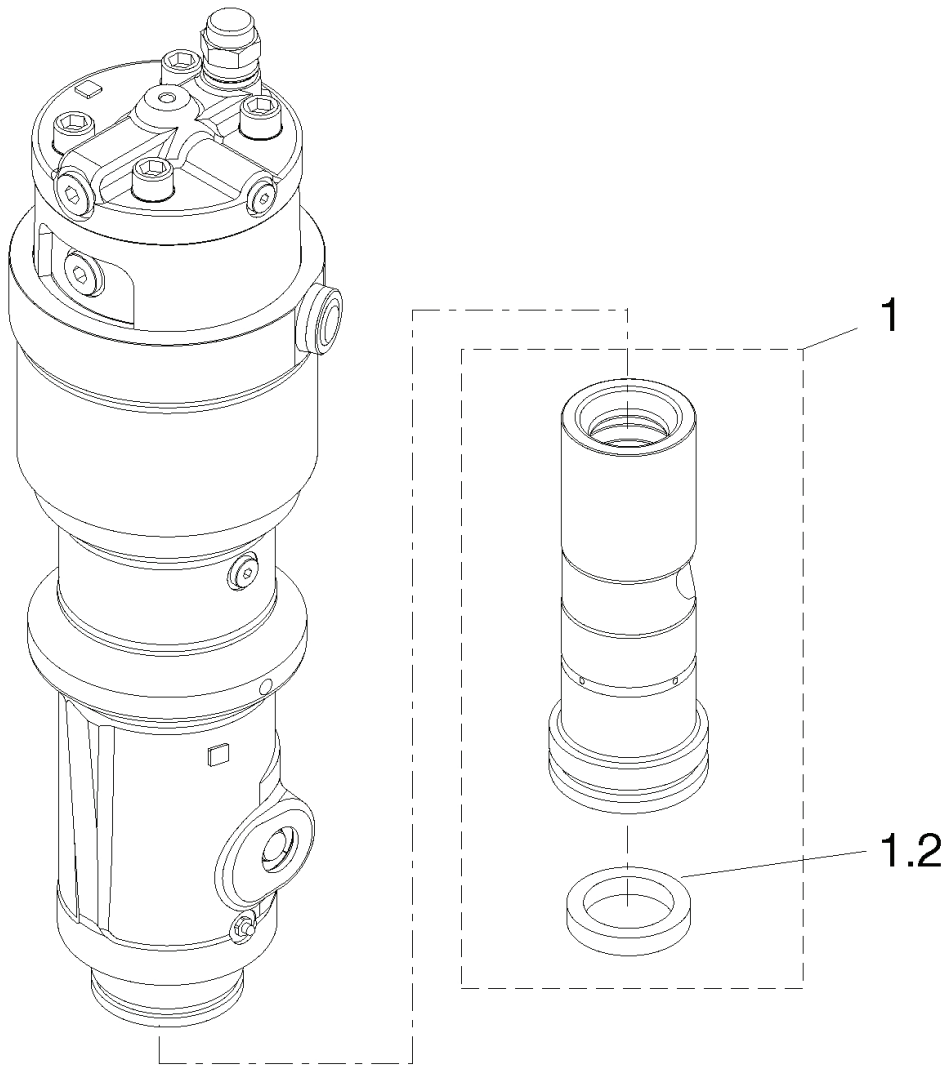


Item	Description	Part no.	Qty
1.	Cylinder (incl. parts 2-4)	B170971	1
2.	Flange plug, R1/4	B90403	1
3.	Flange plug, R1/8	B93203	1
4.	Grease nipple, R1/8	B90201	1
5.	Flange plug, R1/2	B90424	1
6.	Tool retaining pin	B170981	1
7.	Rubber ring *	B157313	2
8.	Bushing	B170975	1
9.	Seal *	B952220	1
10.	Seal *	B950059	1
11.	O-ring, D65 *	B951913	2
12.	Piston	B170976	1
13.	Steering ring	B170978	1
14.	Distributor	B170980	1
15.	Distributor cover	B170979	1

\*) Are included in seal set



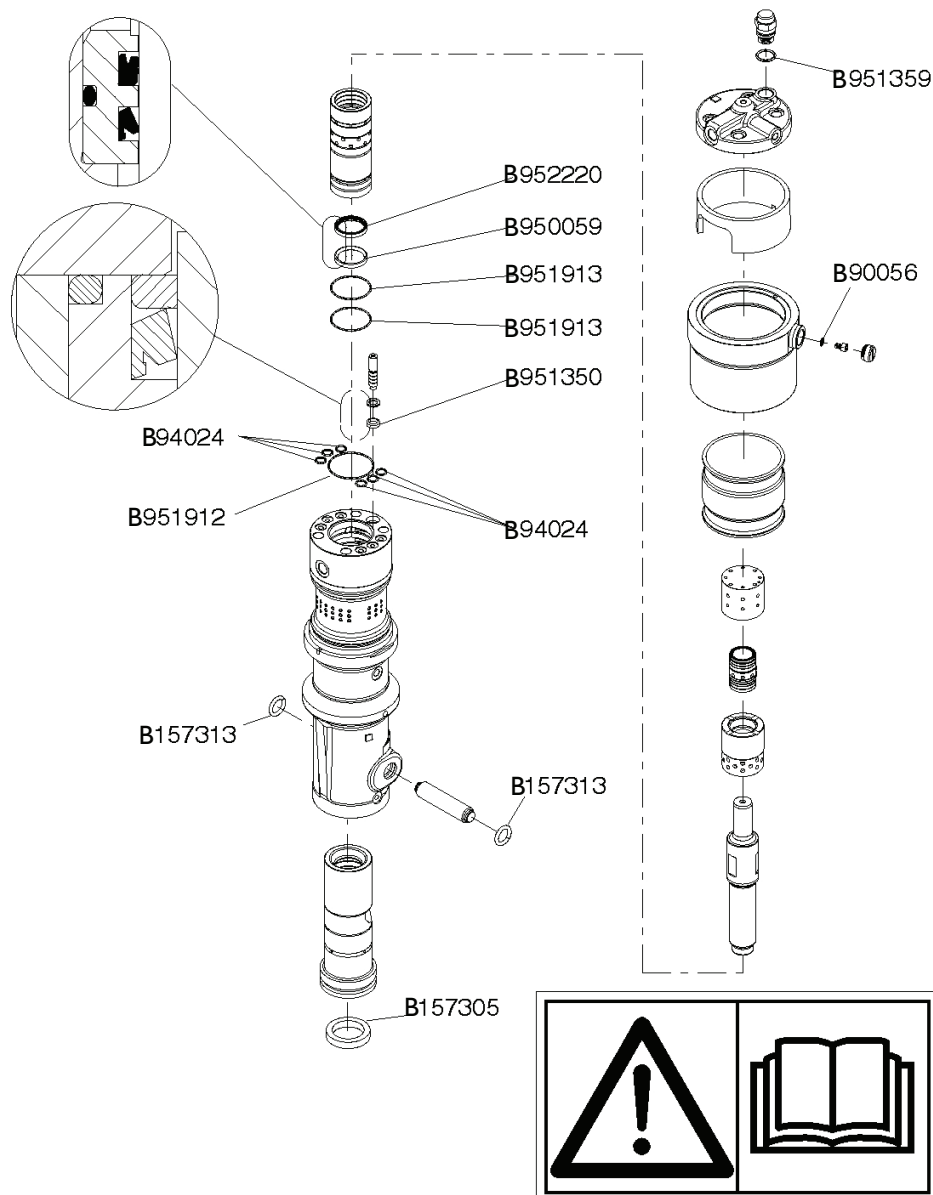
## Lower tool bushing



Item	Description	Part no.	Qty
1.	Lower tool bushing (incl. part 1.2)	B170977	1
1.2	Seal *	B157305	1

\*) Are included in seal set

## Seal set



This summary only indicates the position of the seals. It must NOT be used as assembly instruction. Read the manual.

Item	Description	Part no.	Qty
Kit	Seal set (incl. parts 1-10)	B171120	1
1.	Seal	B952220	1
2.	Seal	B950059	1
3.	O-ring, D65	B951913	2
4.	O-ring, D14	B94024	6
5.	O-ring, D73	B951912	1
6.	Seal	B951350	1
7.	O-ring, D27	B951359	1
8.	Usit-ring, 8-13.9-1	B90056	1
9.	Seal	B157305	1
10.	Rubber ring	B157313	2