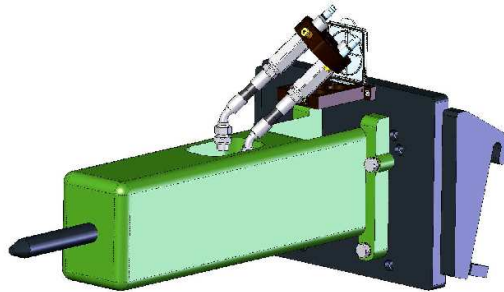


AVANT[®]

VARAOSAKIRJA
PART LIST
DELLISTA
ERSATZTEILLISTE



Avant Breaker,B160
Hydraulic Breaker,Avant,B160
Pilhammare, Avant, B160
Hydraulikhammer,B160
A33813

22.2.2016

Manufacturer:

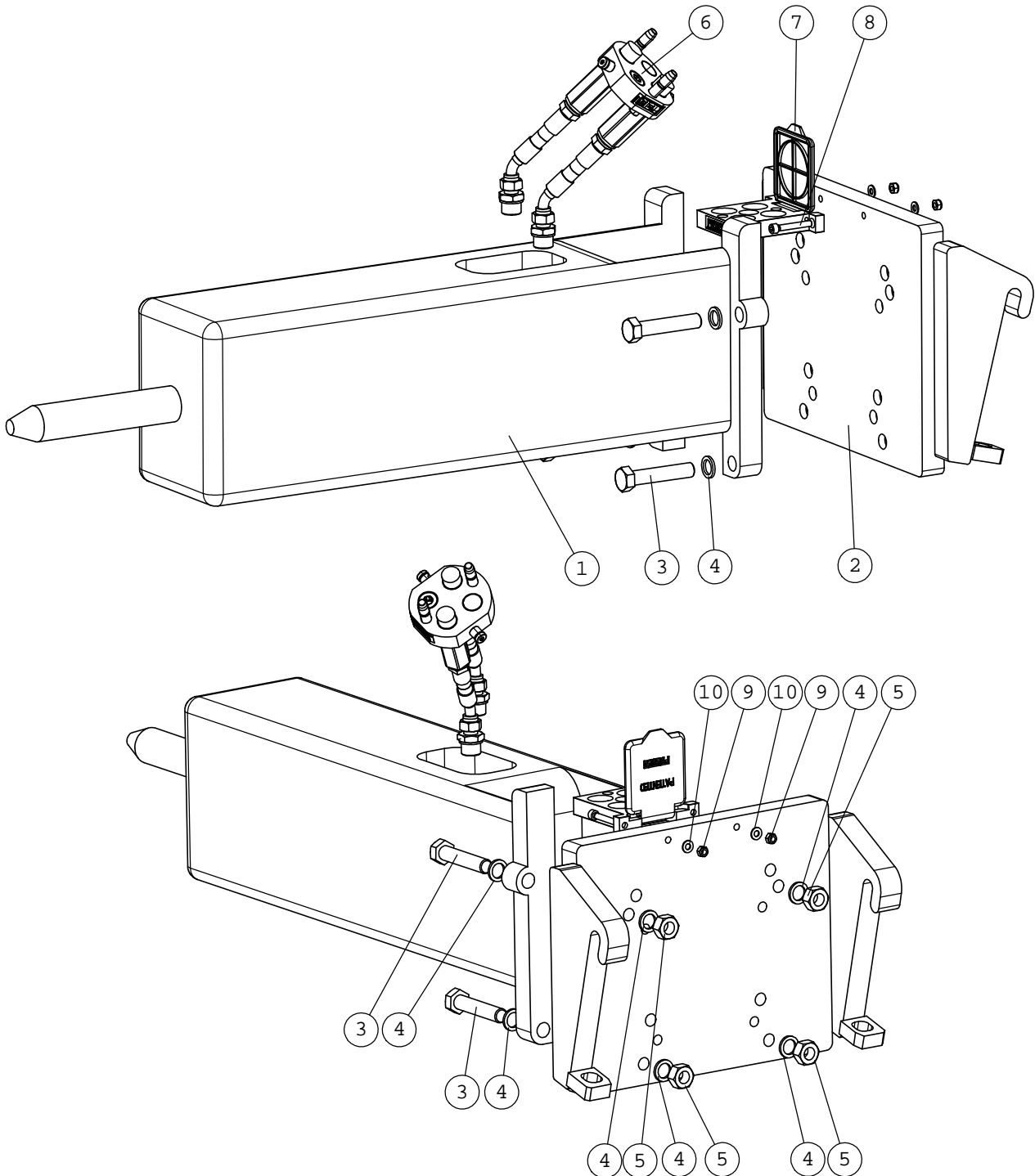
AVANT[®]
AVANT TECNO OY
e-mail: sales@avanttecno.com

Ylötie 1
33470 Ylöjärvi
FINLAND
Tel. +358 3 347 8800
Fax +358 3 348 5511

www.avanttecno.com

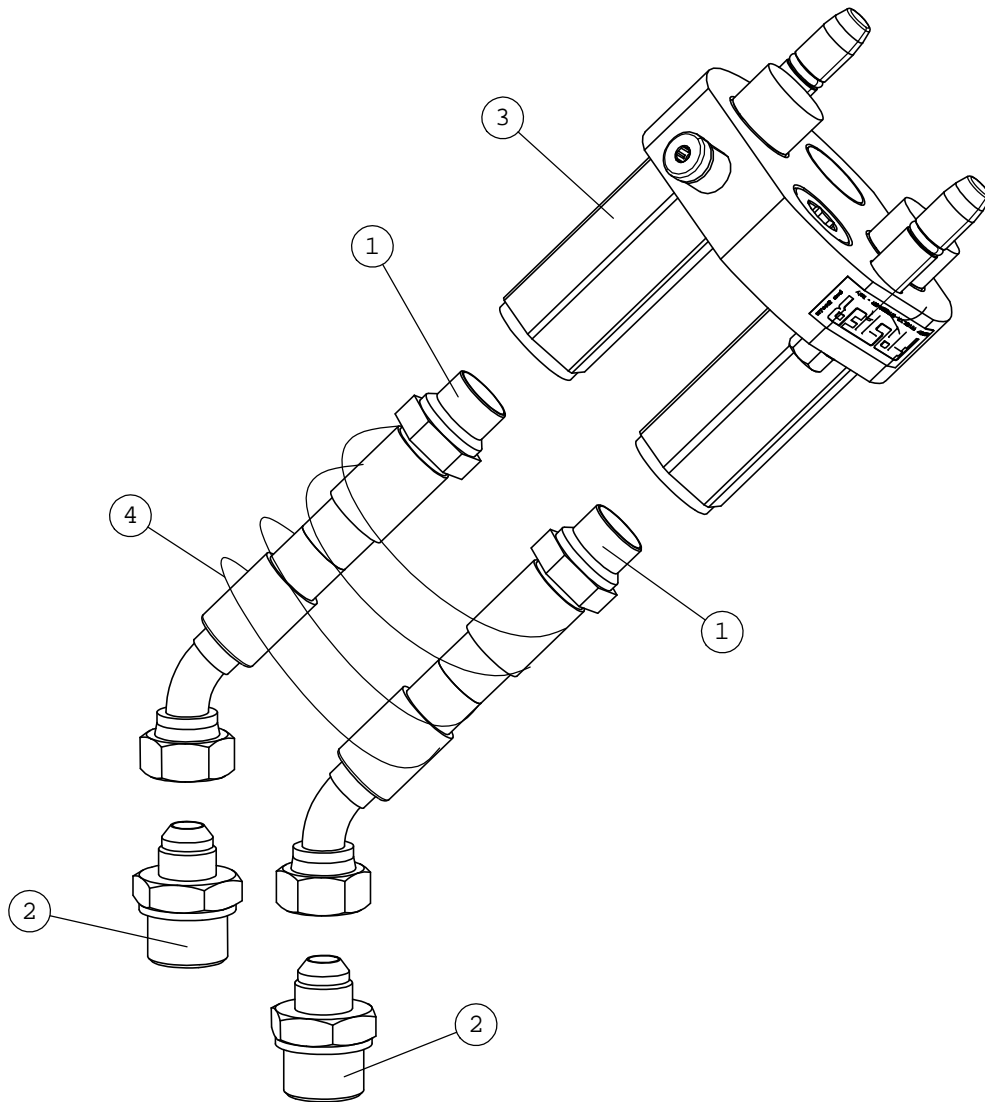
A33813 AVANT BREAKER B160

NRO REF POS TEIL	OSAN NRO PART NO BESTÄLL.NR BEST.NR	KPL QTY ST ST	NIMITYS	DESCRIPTION	BENÄMNING	BEZEICHNUNG
1	65104	1	ISKUVASARA AVANT BRE	HYDRAULIC BREAKER B1	PILHAMMARE B160, UTA	HYDRAULIKHAMMER B160
2	a21241	1	ADAPTERI AVANT-ISKUV	ADAPTER PLATE, HYDRA	ADAPTERPLATTA, PILHA	ANBAUPLATTE, HYDRAUL
3	74944	4	KUUSIORUUVI ZN	HEXAGONAL SCREW	SEXXANTSKRUV M20	SECHSKANTSCHRAUBE
4	74534	8	ALUSLEVYPARI M20	WASHER, PAIR M20 NOR	BRICKA, PAR, M20 NOR	UNTERLEGSCHIEBE-PAAR
5	72334	4	KUUSIOMUTTERI ZN	HEXAGONAL NUT M20 DI	SEXXANTMUTTER M20 DI	SECHSKANTMUTTER M20
6	A33815	1	LETKUTUS	HOSE KIT, AVANT BR	SLANGSATS, AVANT B	SCHLAUCHSATZ, AVANT
7	65594	1	PIKALIITINRYHMÄN TEL	PARKING FOR MULTI CO	PARKING FÖR FLERSNAB	PARKING FÜR MULTI-KU
8	74401	2	KUUSIOKOLORUUVI	HEXAGONAL HEAD SCREW	SEXXANTHUVUDSKRUV M	INNEN-SECHSKANTSCHR.
9	72320	2	KUUSIOMUTTERI ZN	NUT M8 NYLOC DIN 98	SEXXANTMUTTER M8 NY	SECHSKANTMUTTER M 8
10	73122	2	ALUSLEVY M 8	WASHER M8 A8	BRICKA M8 A8,	UNTERLEGSCHIEBE M8



A33815 LETKUTUS

NRO REF POS TEIL	OSAN NRO PART NO BESTÄLL.NR BEST.NR	KPL QTY ST ST	NIMITYS	DESCRIPTION	BENÄMNING	BEZEICHNUNG
1	a33810	2	HYDR.L. L=1530 2LW-8	HYDR. HOSE L=1530	HYDRAULSLANG L=1530	HYDR. SCHLAUCH L=15
2	64544	2	PERUSLIITIN	BASIC FITTING F40XS1	RAK KOPPLING F40XS12	GERADE EINSCHR. F40X
3	65371	1	PIKALIITINRYHMÄ	MULTI CONNECTOR, 2 C	FLERKOPPLING, 2 KOPP	MULTI-KUPPLUNG, 2 KU
4	a49450	1	SUOJASPIRAALI SP-032	HOSE PROTECTION SPIR	SLANGSKYDD, SPIRAL,	SCHLAUCHSCHUTZ, SPIR

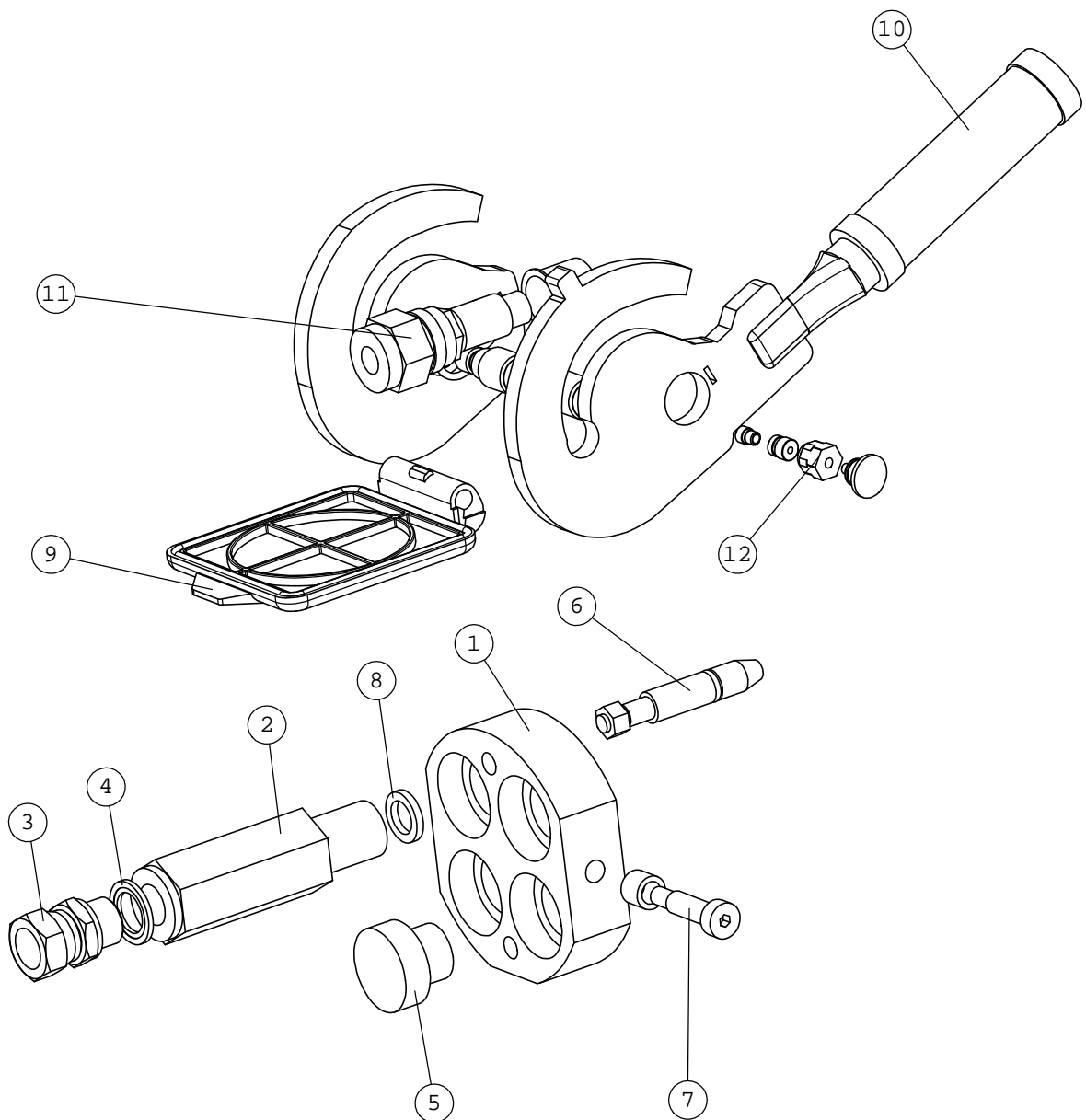


A417531

PIKALIITINRYHMÄ

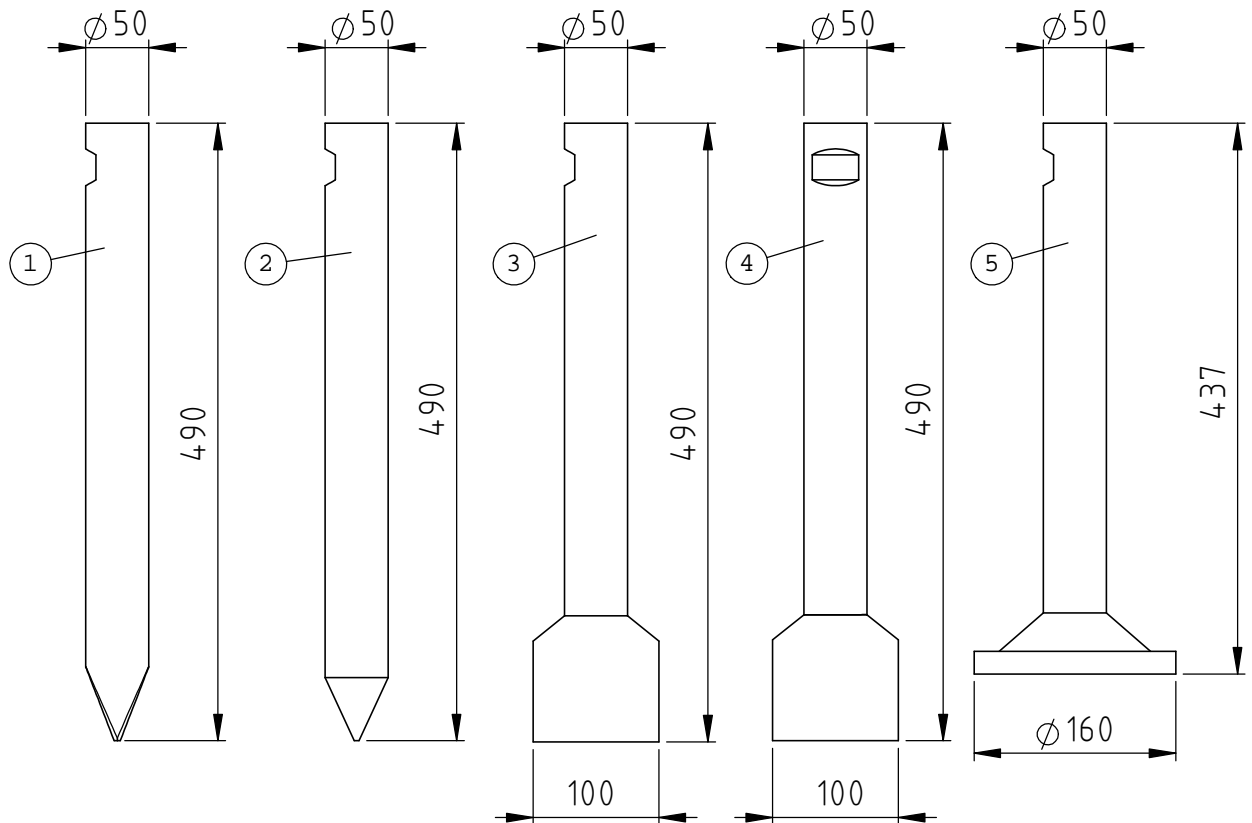
VARAOSAKOKOONPANO

NRO REF POS TEIL	OSAN NRO PART NO BESTÄLL.NR BEST.NR	KPL QTY ST ST	NIMITYS	DESCRIPTION	BENÄMNING	BEZEICHNUNG
1	65628	1	PIKALIITINRUNKO KIT	MULTIFASTER MOBILE B	MULTIFASTER MOBILE B	MULTIFASTER MOBILE B
2	65627	1	PIKALIITIN UROS	CHECK VALVE CARTRIDG	KONTRASTVENTILPATRON	RÜCKSCHLAGVENTIL-PAT
3	65600	1	YHDYSNIPPA	CONNECTOR NIPPLE 8	FÖRBINDINGSNIPPEL	VERBINDUNGSNIPPEL
4	73047	1	USIT-TIIVISTE R1/2"	USIT SEAL RING R/12"	USIT-PACKNING 1/2" F	USIT-DICHTUNGSSCHEIB
5	65626	1	PIKALIITINTULPPA	PLUG, MULTI CONNECTO	PROPP, FLERSNABBKOPP	PROPFEN, KIT, MULTIK
6	65878	1	PIKALIITIN OHJAIN TAP	GUIDE PIN MULTIFASTE	STYRTAPP MULTIFASTER	STEUERBOLZEN MULTIFA
7	65879	1	PIKALIITIN LUKITUSTA	LOCKING PIN MULTIFAS	LÄSTAPP MULTIFASTER	VERRIEGELUNGSBOLZEN
8	65880	1	PIKALIITIN TIIVISTE	SEAL RING, MULTI CON	PACKNING, FLERSNABBK	DICHTUNG, MULTI-KUPP
9	65882	1	PIKALIITIN SUOJALEVY	CAP PLATE, KIT, MULT	LOCK, KIT, FLERSNABB	SCHUTZDECKEL, KIT, M
10	65884	1	PIKALIITIN LUKITUSVI	HANDLE, KIT, MULTI C	HANDTAG, KIT, FLERSN	GRIFF, KIT, MULTI-KU
11	65881	1	PIKALIITINRUNKO KIT	QUICK COUPLER, ON MU	SNABBKOPPLING, PÅ FL	SCHNELLKUPPLUNG, AUF
12	65883	1	PIKALIITIN LUKITUSPA	SAFETY BUTTON, KIT,	SAKERHETSKNAPP, KIT,	DRUCKKNOPF, KIT, MUL

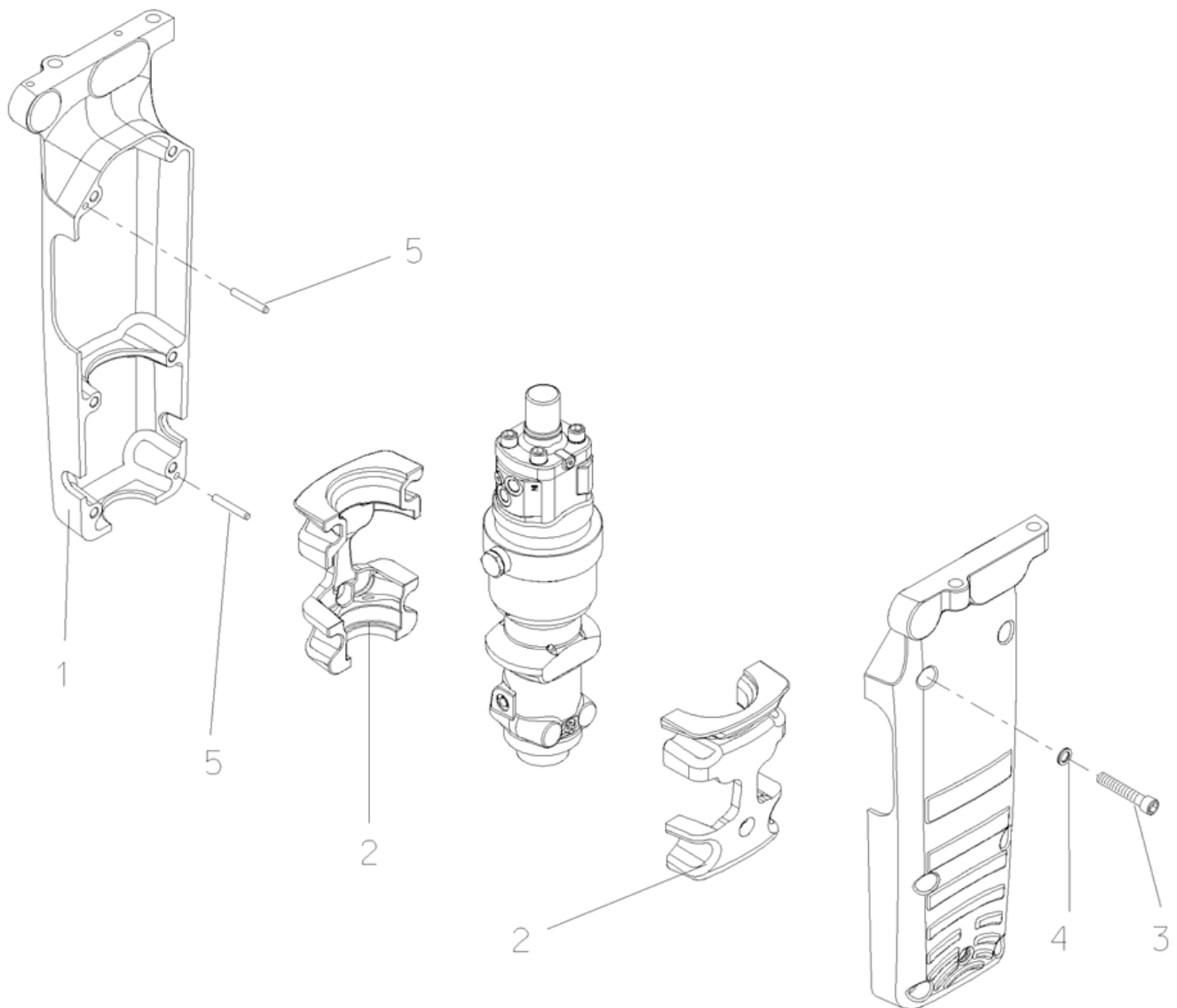


A36865**ISKUVASARA B160,****ISKUTALTAT**

NRO REF POS TEIL	OSAN NRO PART NO BESTÄLL.NR BEST.NR	KPL QTY ST ST	NIMITYS	DESCRIPTION	BENÄMNING	BEZEICHNUNG
1	A33849	1	TALTTATERÄ	TOOL "CHISEL" 490 MM	VERKTYG "CHISEL" 490	WERKZEUG "CHISEL" 49
2	A33850	1	KARTIOTERA	TOOL "MOIL POINT" 49	VERKTYG "MOIL POINT"	WERKZEUG "MOIL POINT"
3	A33851	1	LAPIOTERA, TERÄ PUOM	TOOL "WEDGE", IN LIN	VERKTYG "WEDGE", I L	WERKZEUG "WEDGE", MO
4	A33852	1	LAPIOTERA, TERÄ POI	TOOL "WEDGE", CROSS	VERKTYG "WEDGE", TVA	WERKZEUG "WEDGE", MO
5	A33853	1	TIIVISTYSTERÄ	TOOL "BLUNT", HYDRAU	VERKTYG "BLUNT", HYD	WERKZEUG "BLUNT", HY

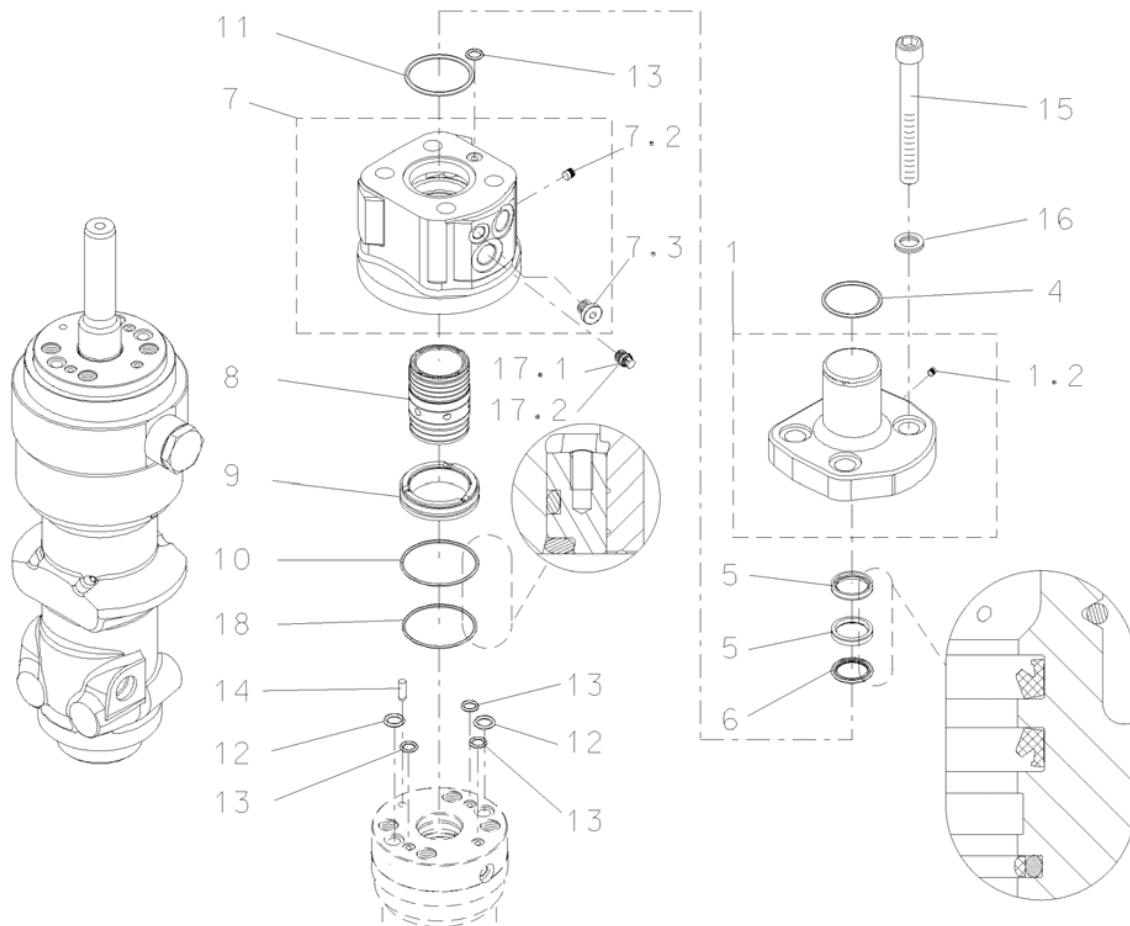


Housing unit



Item	Description	Part no.	Qty
1.	Housing plates	B162647	1
2.	Damper	B159704	2
3.	Hex. socket screw, M16x100-8.8 ISO 4762	B900003	6
4.	Lock washer, M16 NORD-LOCK	B90597	6
5.	Parallel pin, 10m6x70 ISO 8734	B901101	2
Kit	Safety label set	B162646	1

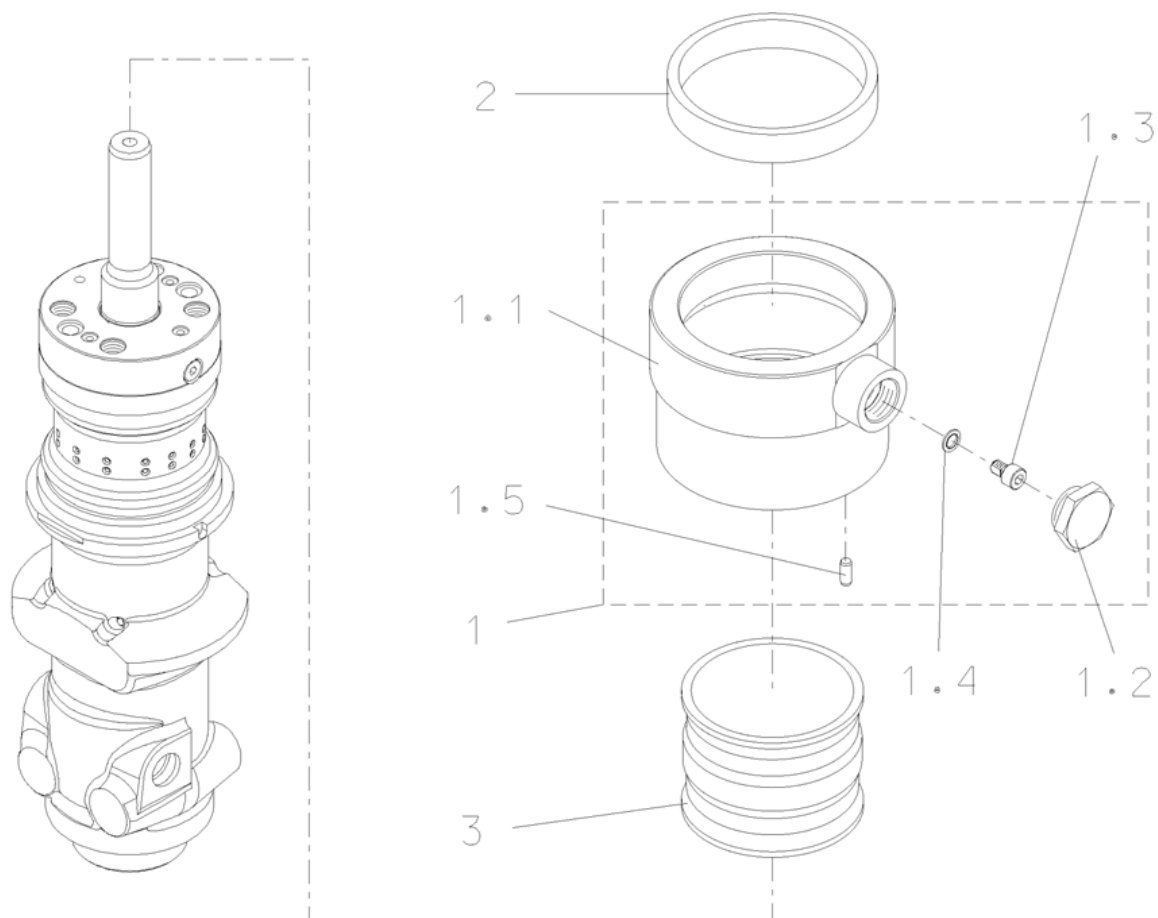
Valve body and distributor



Item	Description	Part no.	Qty
1	Cover (incl. part 1.2)	B158511	1
1.2	Plug	B915028	1
4	O-ring, D50 *	B90044	1
5	Seal	B951623	2
6	Seal	B156206	1
7	Valve body (incl. parts 7.2-7.3)	B159340	1
7.2	Plug	B915028	1
7.3	Flange plug, R1/4	B90403	1
8	Distributor	B158921	1
9	Steering ring	B158924	1
10	O-ring, D76 *	B952237	1
11	O-ring, D70 *	B94045	1
12	O-ring, D17 *	B901135	2
13	O-ring, D9 *	B901199	4
14	Parallel pin, 6m6x18 ISO 8734	B90371	1
15	Hex. socket screw, M20x160-10.9 ISO 4762	B951613	4
16	Lock washer, M20 NORD-LOCK	B91010	4
17.1	Nozzle, 635	B162652	1
17.2	Nozzle, 630, 528, 520	B162685	1
18	O-ring, D75 *	B90030	1

*) Are included in seal set

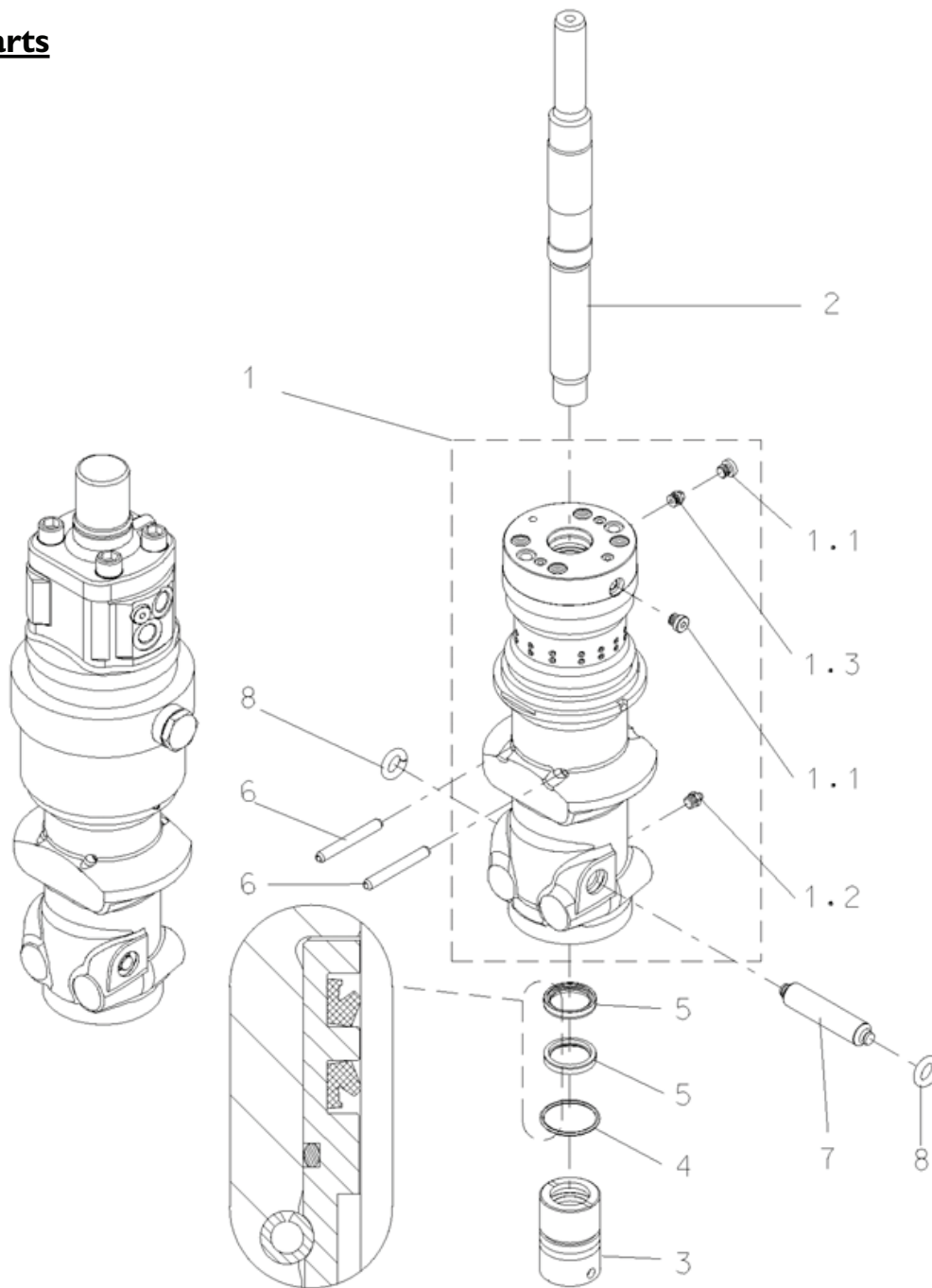
Accumulator



Item	Description	Part no.	Qty
1	Accumulator (incl. parts 1.1-1.5)	B159889	1
1.1	Body	B155376	1
1.2	Shield plug	B400300	1
1.3	Filling plug	B42074	1
1.4	Usit-ring, 8-13.9-1 *	B90056	1
1.5	Split pin, 6x17 ISO 8750	B90327	1
2	Support ring	B157619	1
3	Membrane	B113062	1

*) Are included in seal set

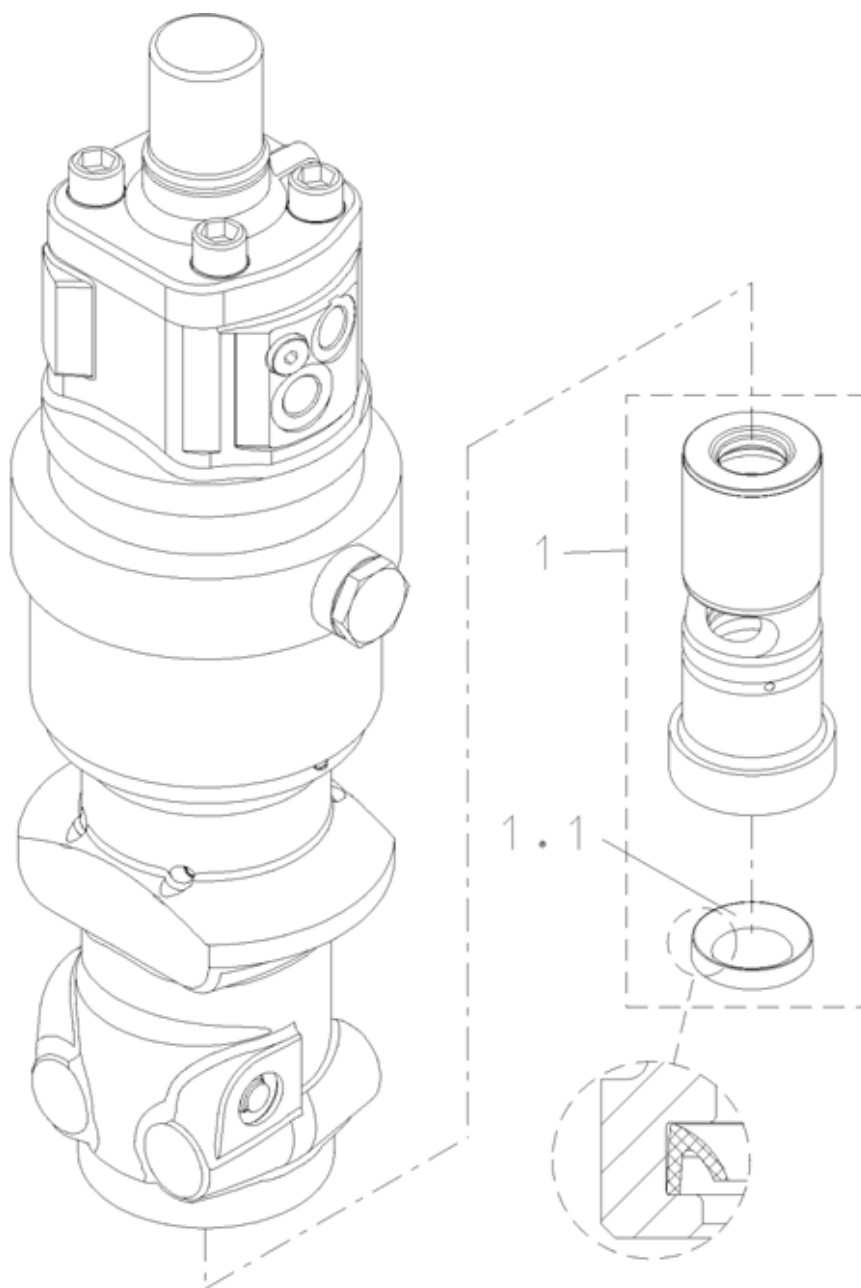
Body parts



Item	Description	Part no.	Qty
1	Cylinder (incl. parts 1.1-1.3)	B160557	1
1.1	Flange plug, R1/8	B93203	2
1.2	Grease nipple, R1/8	B90201	1
1.3	Nozzle	B101466	1
2	Piston	B158922	1
3	Seal carrier	B155369	1
4	O-ring, D57 *	B90038	1
5	Seal *	B950059	2
6	Split pin, 8x80 ISO 8752	B90338	2
7	Tool retaining pin	B156445	1
8	Rubber ring *	B155587	2

*) Are included in seal set

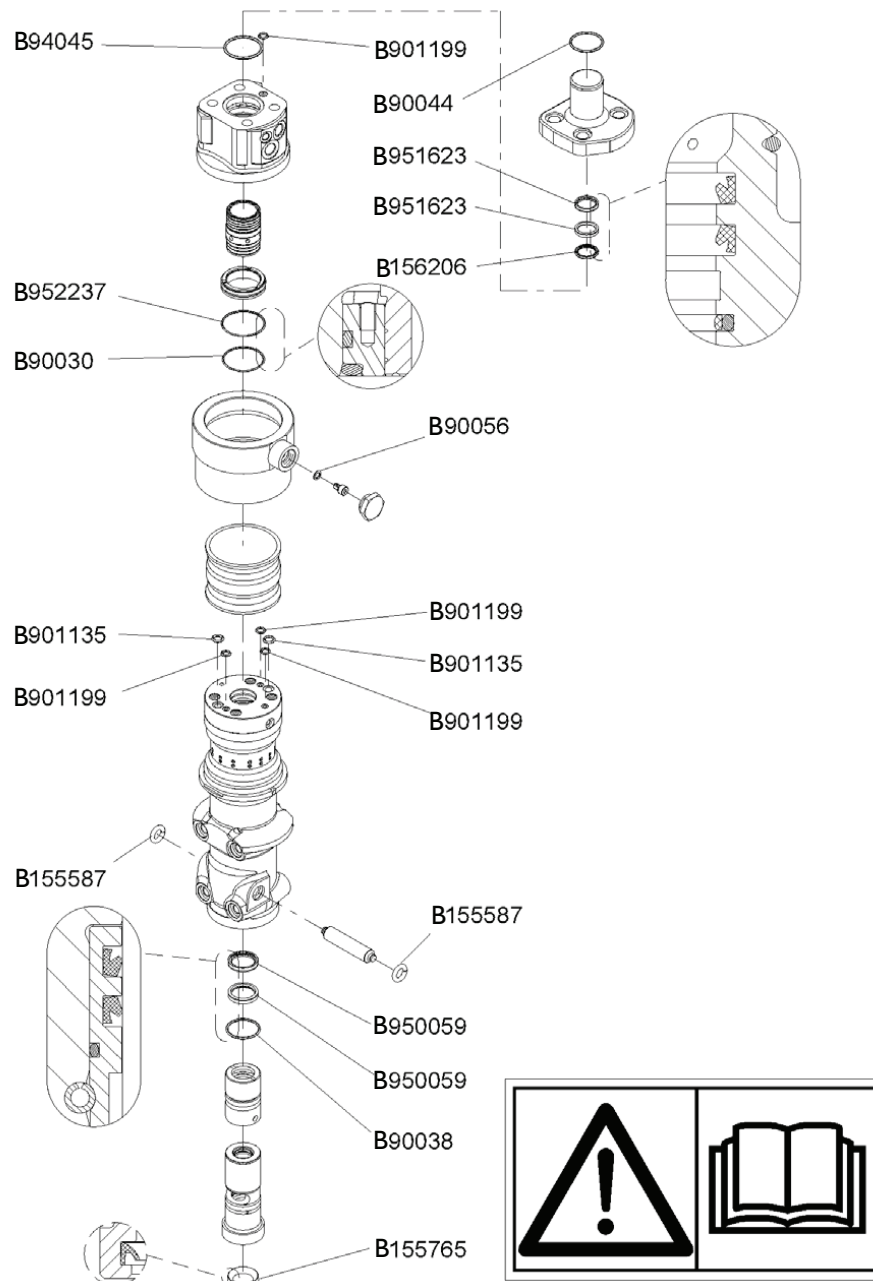
Lower tool bushing



Item	Description	Part no.	Qty
I.	Lower tool bushing (incl. part I.1)	B156275	1
I.1	Seal *	B155765	1

*) Are included in seal set

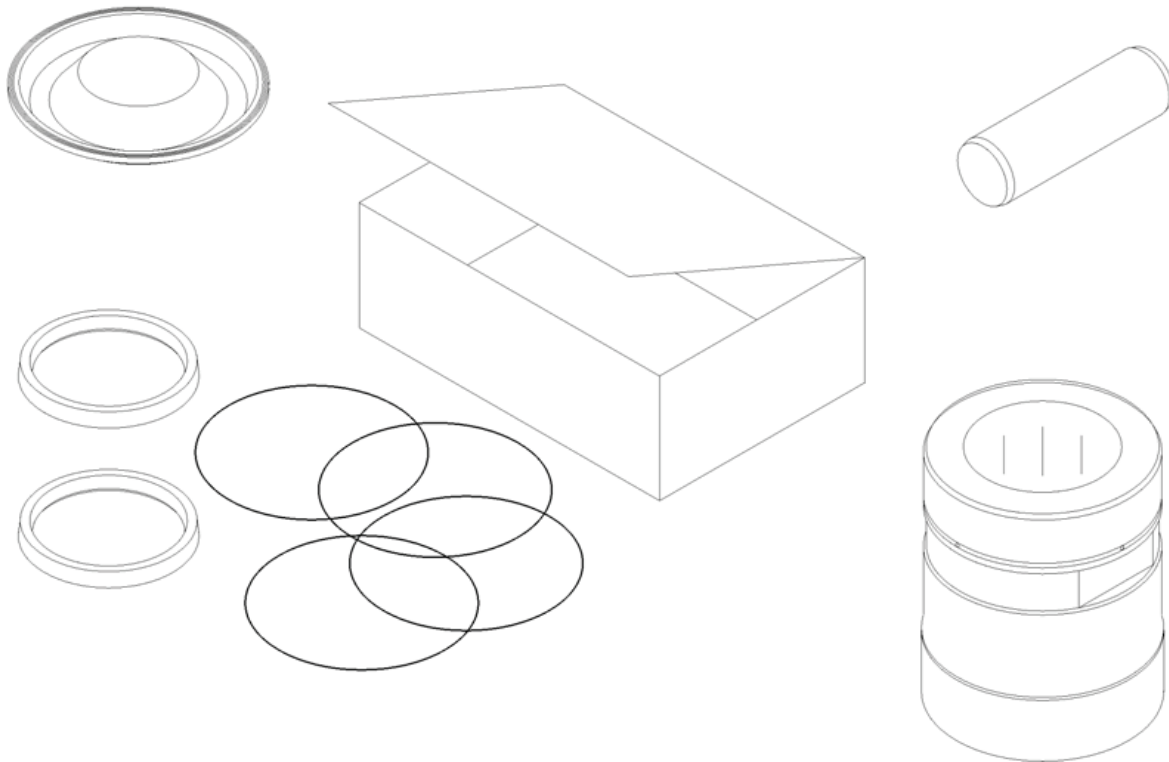
Seal set



This summary only indicates the position of the seals. It must NOT be used as assembly instruction. Read the manual.

Item	Description	Part no.	Qty
Kit	Seal set (incl. parts 1-13)	B159839	1
1	O-ring, D57 *	B90038	1
2	Seal	B950059	2
3	O-ring, D50 *	B90044	1
4	Seal	B951623	2
5	Seal	B156206	1
6	O-ring, D76 *	B952237	1
7	O-ring, D70 *	B94045	1
8	O-ring, D17 *	B901135	2
9	O-ring, D9 *	B901199	4
10	O-ring, D75 *	B90030	1
11	Usit-ring, 8-13.9-1	B90056	1
12	Seal	B155765	1
13	Rubber ring	B155587	2

Lower tool bushing



Item	Description	Part no.	Qty
Kit	Servicekit (incl. parts 1 - 4)	BK1BH80	1
1	Membrane	B113062	1
2	Tool retaining pin	B156445	1
3	Lower tool bushing	B156275	1
4	Seal set	B159839	1