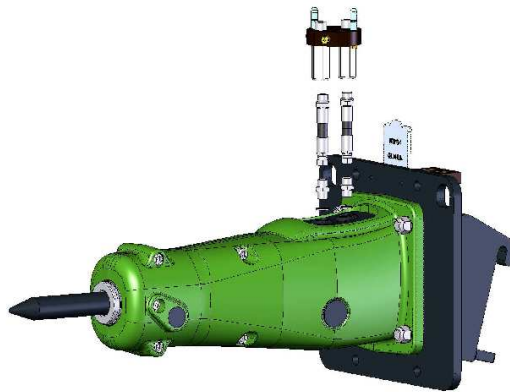


AVANT®

VARAOSAKIRJA
PART LIST
DELLISTA
ERSATZTEILLISTE



Avant Breaker,B230
Hydraulic Breaker,B230
Pilhammare, Avant,B230
Hydraulikhammer,B230

A36425

22.2.2016

Manufacturer:

AVANT®

AVANT TECNO OY

e-mail: sales@avanttecno.com

Ylötie 1

33470 Ylöjärvi

FINLAND

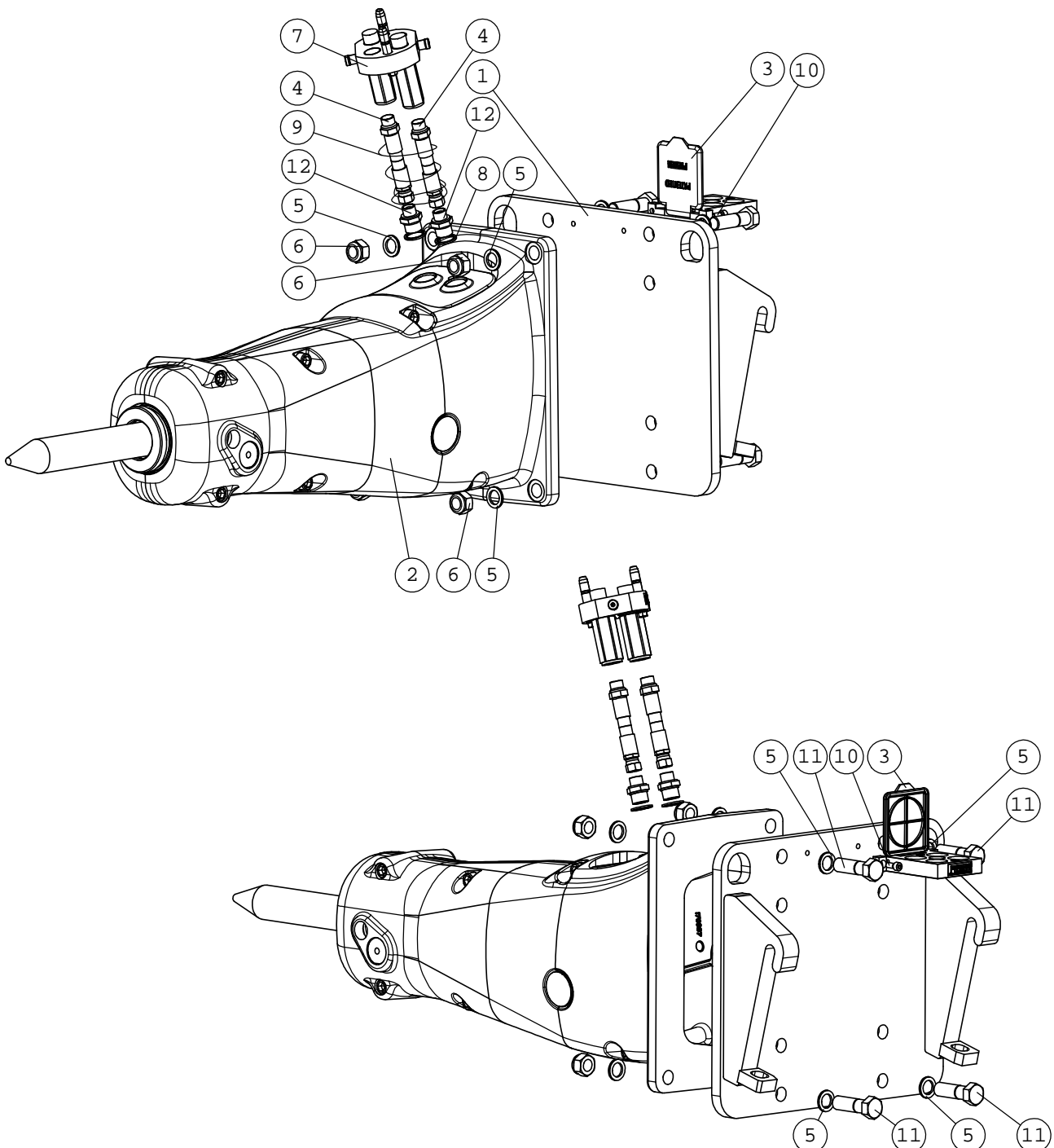
Tel. +358 3 347 8800

Fax +358 3 348 5511

www.avanttecno.com

A36425 AVANT BREAKER B230 KOKOONPANO

NRO REF POS TEIL	OSAN NRO PART NO BESTÄLL.NR BEST.NR	KPL QTY ST ST	NIMITYS	DESCRIPTION	BENÄMNING	BEZEICHNUNG
1	A36192	1	ADAPTERI	ATTACHMENT PLATE, B	REDSKAPSFASTE, HAMMA	AUFNAHMEPLATTE, BREA
2	65891	1	ISKUVASARA AVANT BRE	TIMER RELAY CROUZET	TIDRELA CROUZET 12V	ZEITRELAIS CROUZE
3	65594	1	PIKALIITINRYHMÄN TEL	PARKING FOR MULTI CO	PARKING FÖR FLERSNAB	PARKING FÜR MULTI-KU
4	a415596	2	HYDR.LETKU L=1500	HYDR. HOSE L=1500	HYDRAULSLANG L=1500	HYDR. SCHLAUCH L=15
5	74934	8	ALUSLEVYPARI M22	WASHER, PAIR M22 NOR	BRICKA, PAR, M22 NOR	UNTERLEGSSCHEIBE-PAAR
6	72339	4	KUUSIOMUTTERI ZN	HEXAGONAL NUT M22 DI	SEXXANTMUTTER M22 DI	SECHSKANTMUTTER M22
7	65371	1	PIKALIITINRYHMÄ	MULTI CONNECTOR, 2 C	FLERKOPPLING, 2 KÖPP	MULTI-KUPPLUNG, 2 KU
8	74976	2	USIT-TIIVISTE R3/4"	SEAL USIT R3/4"	TÄTNING USIT R3/4"	USIT-DICHTUNGSSCHEIB
9	a412416	1	SUOJASPIRAALI SP-032	HOSE PROTECTOR SPIRA	SLANGSKYDD, SPIRAL,	SCHLAUCHSCHUTZ SPIRA
10	74481	2	KUUSIOKOLORUUVI ZN	HEXAGONAL HEAD SCREW	SEXXANTHÄLSKRUV M8x2	INNEN-SECHSKANTSCHRA
11	74977	4	KUUSIORUUVI ZN	HEXAGONAL SCREW M22x	SEXXANTSKRUV M22x75	SECHSKANTSCHRAUBE M2
12	74978	2	SUPISTUSNIPPA R3/4"U	SPRING COTTER PIN 7	FJÄDERSPRINT 7 DIN	FEDERSTECKER 7 DIN

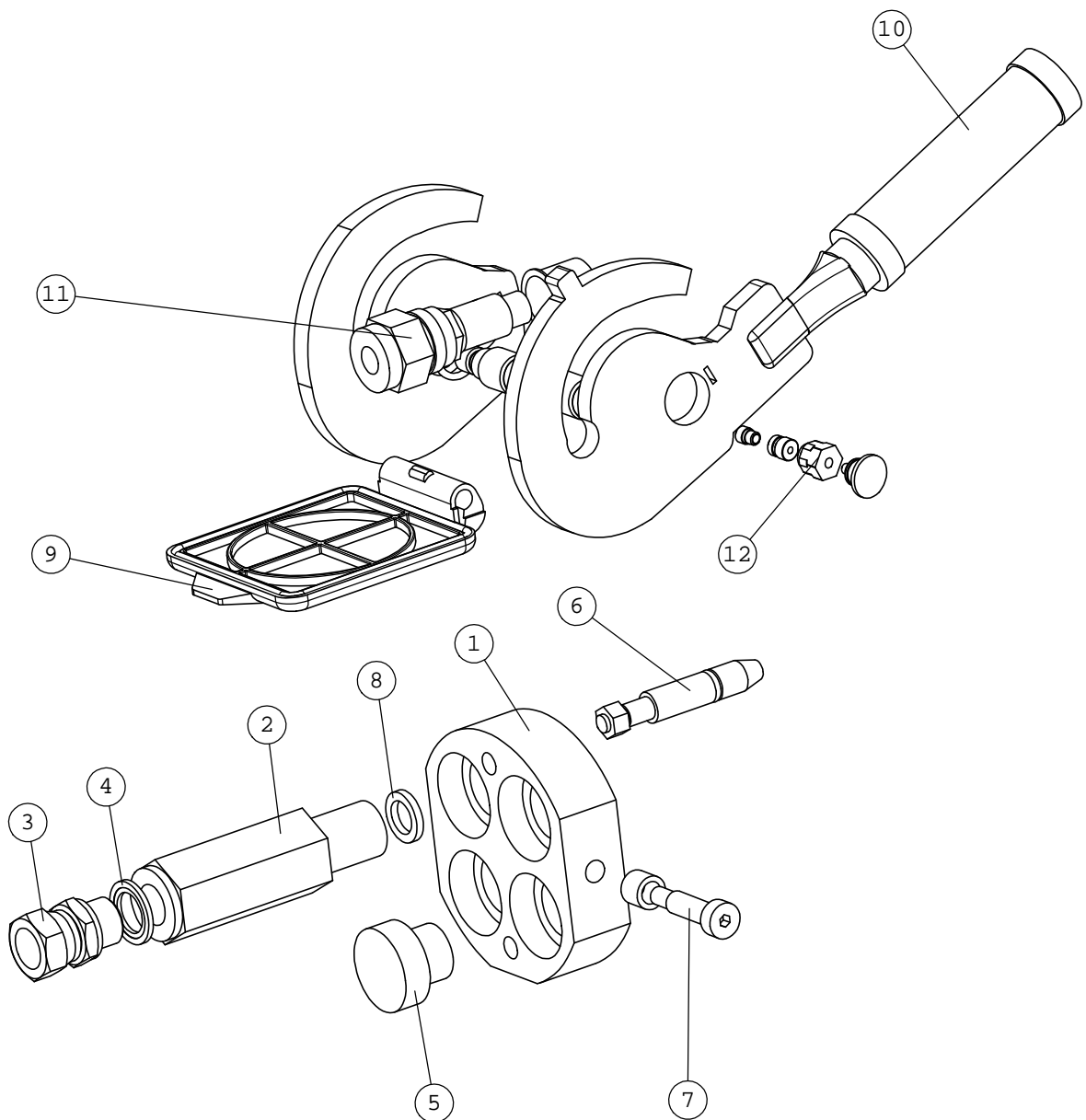


A417531

PIKALIITINRYHMÄ

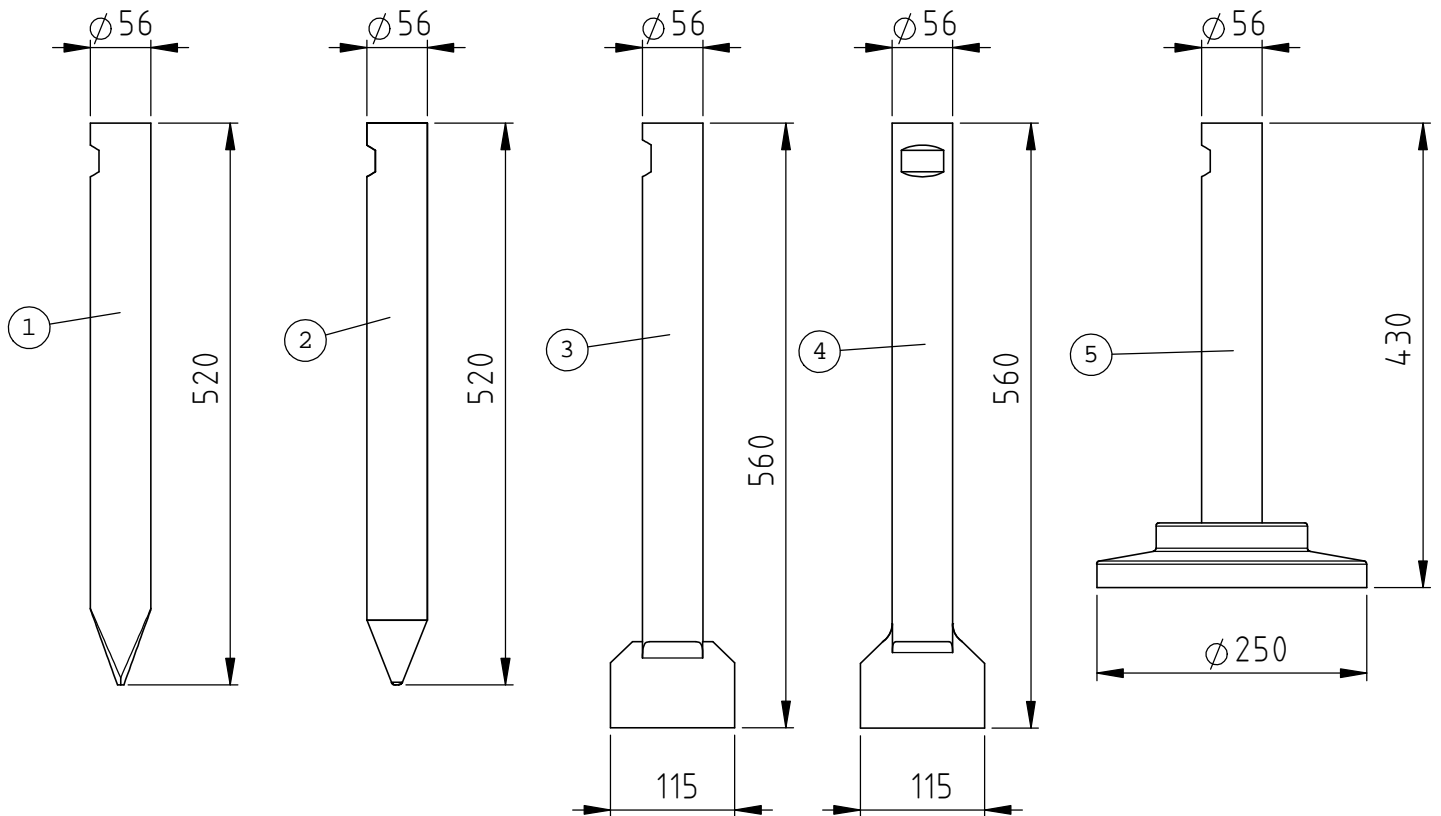
VARAOSAKOONPANO

NRO REF POS TEIL	OSAN NRO PART NO BESTÄLL.NR BEST.NR	KPL QTY ST ST	NIMITYS	DESCRIPTION	BENÄMNING	BEZEICHNUNG
1	65628	1	PIKALIITINRUNKO KIT	MULTIFASTER MOBILE B	MULTIFASTER MOBILE B	MULTIFASTER MOBILE B
2	65627	1	PIKALIITIN UROS	CHECK VALVE CARTRIDG	KONTRASTVENTILPATRON	RÜCKSCHLAGVENTIL-PAT
3	65600	1	YHDYSNIPPA	CONNECTOR NIPPLE 8	FÖRBINDINGSNIPPEL	VERBINDUNGSNIPPEL
4	73047	1	USIT-TIIVISTE R1/2"	USIT SEAL RING R/12"	USIT-PACKNING 1/2" F	USIT-DICHTUNGSSCHEIB
5	65626	1	PIKALIITINTULPPA	PLUG, MULTI CONNECTO	PROPP, FLERSNABBKOPP	PROPFEN, KIT, MULTIK
6	65878	1	PIKALIITIN OHJAINAP	GUIDE PIN MULTIFASTE	STYRTAPP MULTIFASTER	STEUERBOLZEN MULTIFA
7	65879	1	PIKALIITIN LUKITUSTA	LOCKING PIN MULTIFAS	LÄSTAPP MULTIFASTER	VERRIEGELUNGSBOLZEN
8	65880	1	PIKALIITIN TIIVISTE	SEAL RING, MULTI CON	PACKNING, FLERSNABBK	DICHTUNG, MULTI-KUPP
9	65882	1	PIKALIITIN SUOJALEVY	CAP PLATE, KIT, MULT	LOCK, KIT, FLERSNABB	SCHUTZDECKEL, KIT, M
10	65884	1	PIKALIITIN LUKITUSVI	HANDLE, KIT, MULTI C	HANDTAG, KIT, FLERSN	GRIFF, KIT, MULTI-KU
11	65881	1	PIKALIITINRUNKO KIT	QUICK COUPLER, ON MU	SNABBKOPPLING, PÅ FL	SCHNELLKUPPLUNG, AUF
12	65883	1	PIKALIITIN LUKITUSPA	SAFETY BUTTON, KIT,	SAKERHETSKNAPP, KIT,	DRUCKKNOPF, KIT, MUL

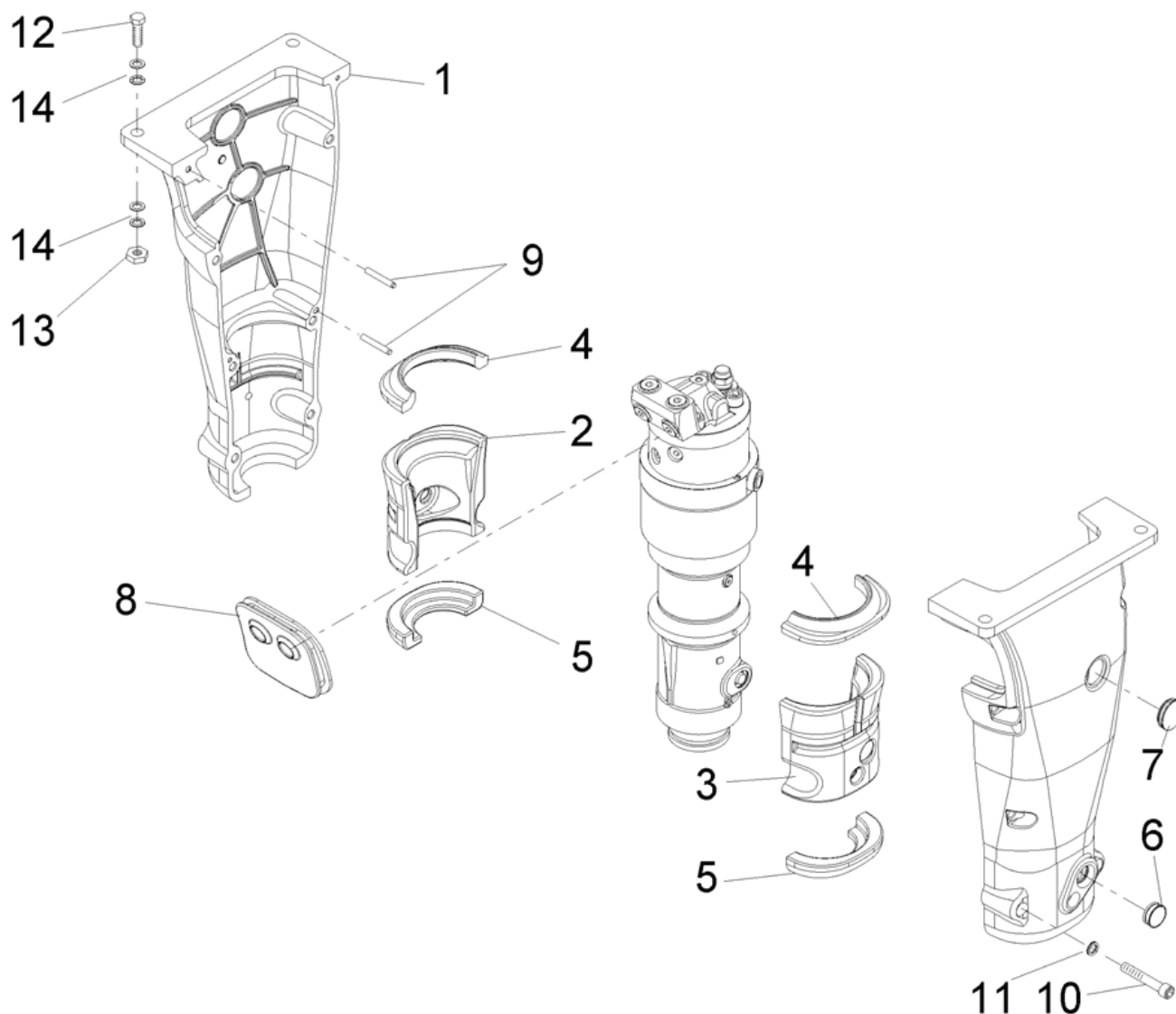


A36836 ISKUVASARA, A36425, ISKUTALTAT

NRO REF POS TEIL	OSAN NRO PART NO BESTÄLL.NR BEST.NR	KPL QTY ST ST	NIMITYS	DESCRIPTION	BENÄMNING	BEZEICHNUNG
1	65947	1	ISKUTALTTA KAPEATALT	TOOL CHISEL, L=520,	ARBETSVERKTYG "CHISE	ARBEITSWERKZEUG "CHI
2	65948	2	ISKUTALTTA PISTEKÄRK	TOOL MOIL POINT, L=5	ARBETSVERKTYG "MOIL	EINSTECKWERKZEUG "MO
3	65949	1	ISKUTALTTA LEVEÄTALT	TOOL SPADE PARALL B0	ARBETSVERKTYG "SPADE	EINSTECKWERKZ. "SPAD
4	65950	1	ISKUTALTTA LEVEÄTALT	TOOL SPADE 90DEG/ B0	ARBETSVERKTYG "SPADE	EINSTECKWERKZ. "SPAD
5	65951	1	ISKUTALTTA TIIVISTIN	TOOL COMPACTING PLAT	ARBETSVERKTYG "COMPA	EINSTECKWERKZ. COMPA

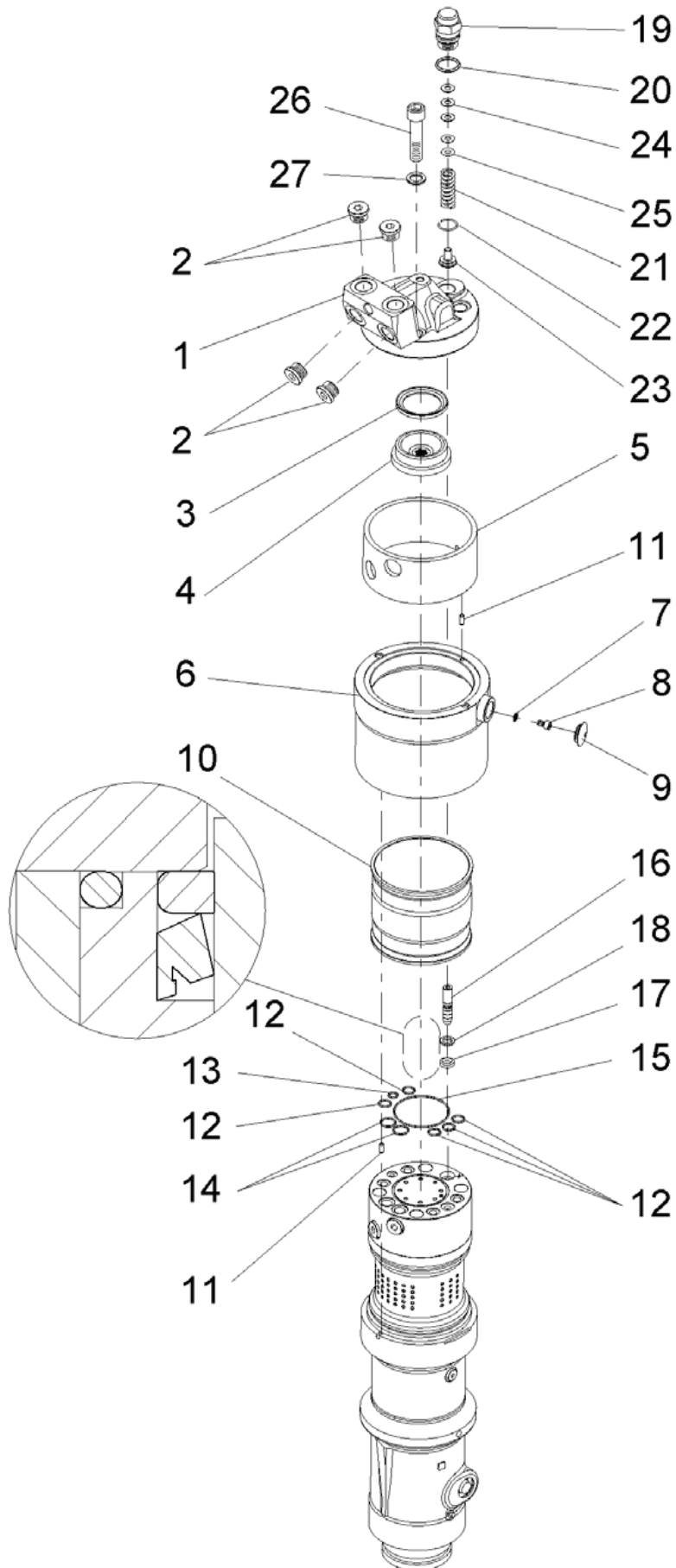


Housing unit



Item	Description	Part no.	Qty
1.	Housing plates	B172212	1
2.	Damper	B171001	1
3.	Damper	B171002	1
4.	Pad	B171003	2
5.	Pad	B171004	2
6.	Plug	B171450	1
7.	Plug	B170871	1
8.	Shield cover	B172192	1
9.	Parallel pin, 10m6x70 ISO 8734	B901101	2
10.	Hex. socket screw, M16x100-8.8 ISO 4762	B900003	4
11.	Lock washer, M16 NORD-LOCK	B90597	4
12.	Hex. screw, M20x90-8.8 ISO 4014	B91022	4
13.	Hex. nut, M20-8 ISO 4032	B91017	4
14.	Lock washer, M20 NORD-LOCK	B91010	8
20.1	Safety label set, english	B169400	1

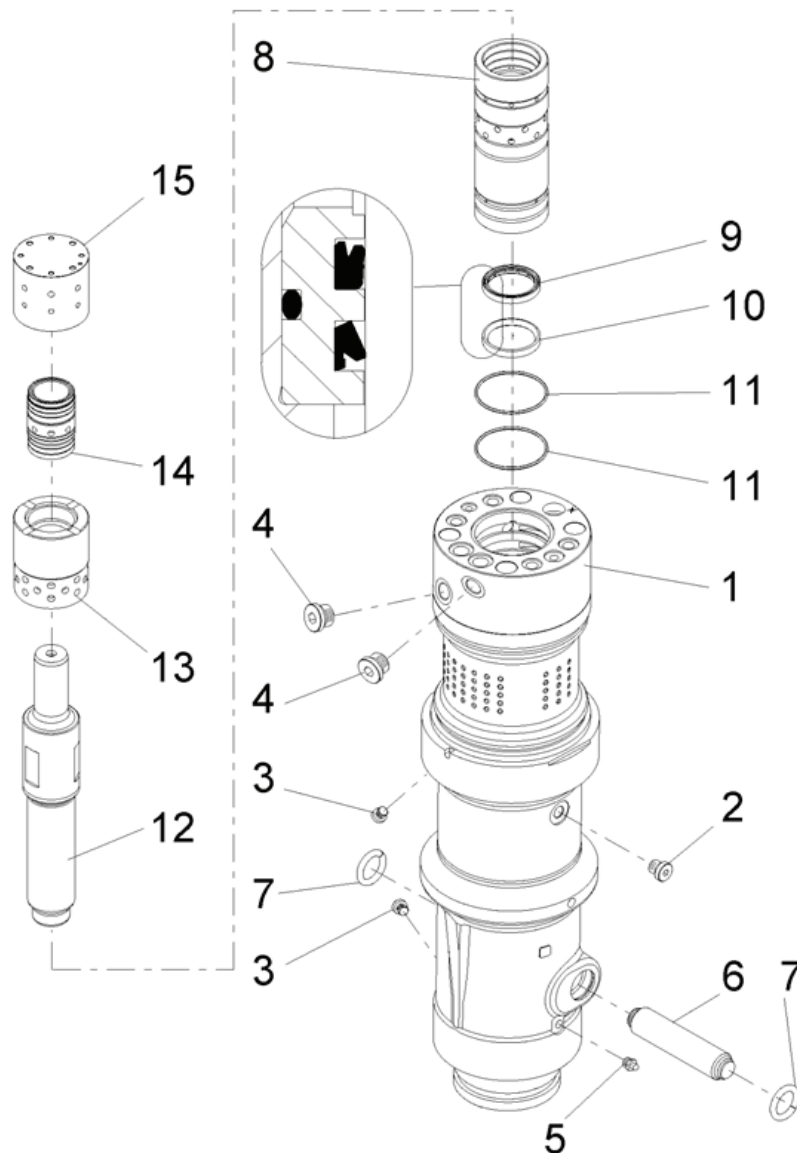
Accumulator and pressure adjusting valve



Item	Description	Part no.	Qty
1.	Cover	B171015	1
2.	Flange plug, R3/4	B90401	4
3.	Seal *	B171020	1
4.	Accumulator bottom	B171013	1
5.	Assembly ring	B171019	1
6.	Accumulator cover	B172159	1
7.	Usit-ring, 8-13.9-1	B90056	1
8.	Filling plug	B42074	1
9.	Shield plug	B954323	1
10.	Membrane	B154759	1
11.	Split pin, 6x16 ISO 8750	B90327	2
12.	O-ring, D16 *	B94023	5
13.	O-ring, D11 *	B951358	1
14.	O-ring, D20 *	B951356	2
15.	O-ring, D82 *	B951447	1
16.	Pressure adjusting spool	B171012	1
17.	Seal *	B951350	1
18.	Washer	B170868	1
19.	Spring housing	B170870	1
20.	O-ring, D27 *	B951359	1
21.	Spring	B951625	1
22.	Spring ring, B25 DIN 7993	B902988	1
23.	Spring guide	B170869	1
24.	Shim plate, S=1	B41640	X
25.	Shim plate, S=0.5	B41639	X
26.	Hex. socket screw, M20x90-10.9 ISO 4762	B951590	4
27.	Lock washer, M16 NORD-LOCK	B91010	4

*) Are included in seal set

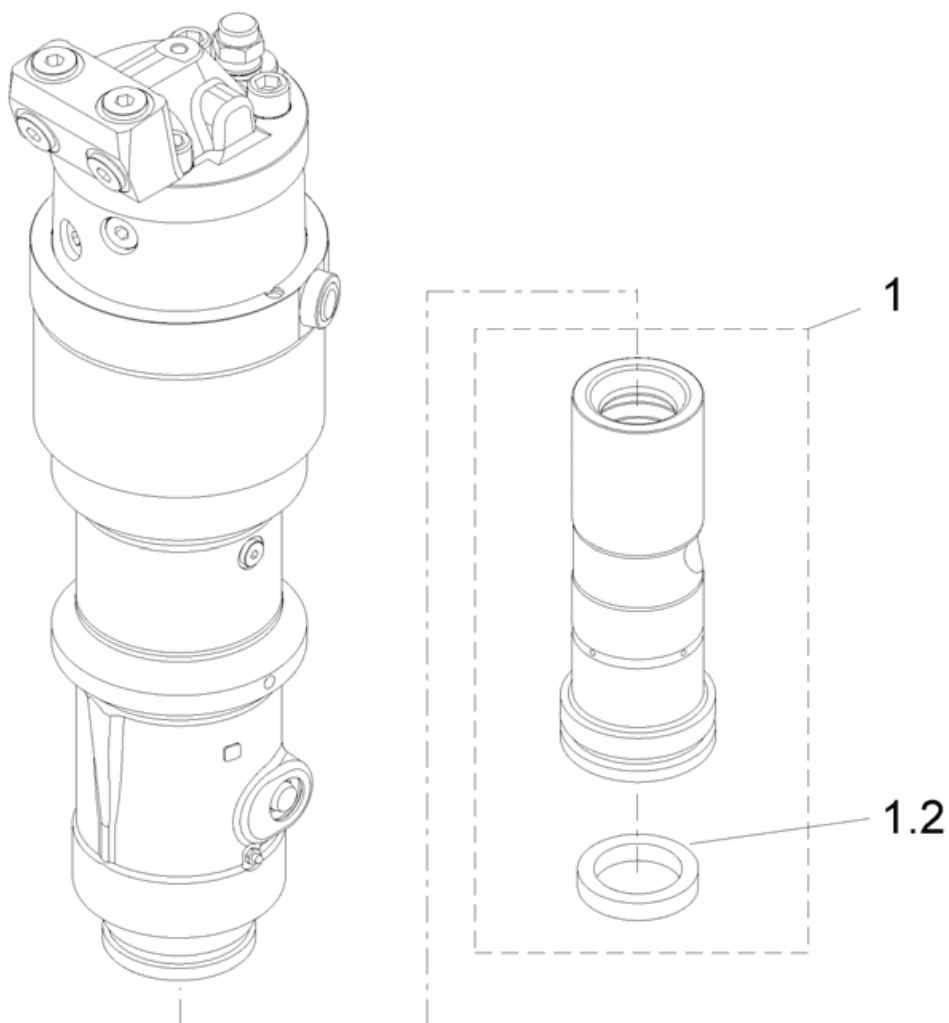
Body parts



Item	Description	Part no.	Qty
1.	Cylinder (incl. parts 2-4)	B171008	1
2.	Flange plug, R1/4	B90403	1
3.	Flange plug, R1/8	B93203	2
4.	Flange plug, R1/2	B90424	2
5.	Grease nipple, R1/8	B90201	1
6.	Tool retaining pin	B171021	1
7.	Rubber ring *	B154540	2
8.	Bushing	B171022	1
9.	Seal *	B954178	1
10.	Seal *	B954180	1
11.	O-ring, D73 *	B951448	2
12.	Piston	B171009	1
13.	Steering ring	B171023	1
14.	Distributor	B171011	1
15.	Distributor cover	B171033	1

*) Are included in seal set

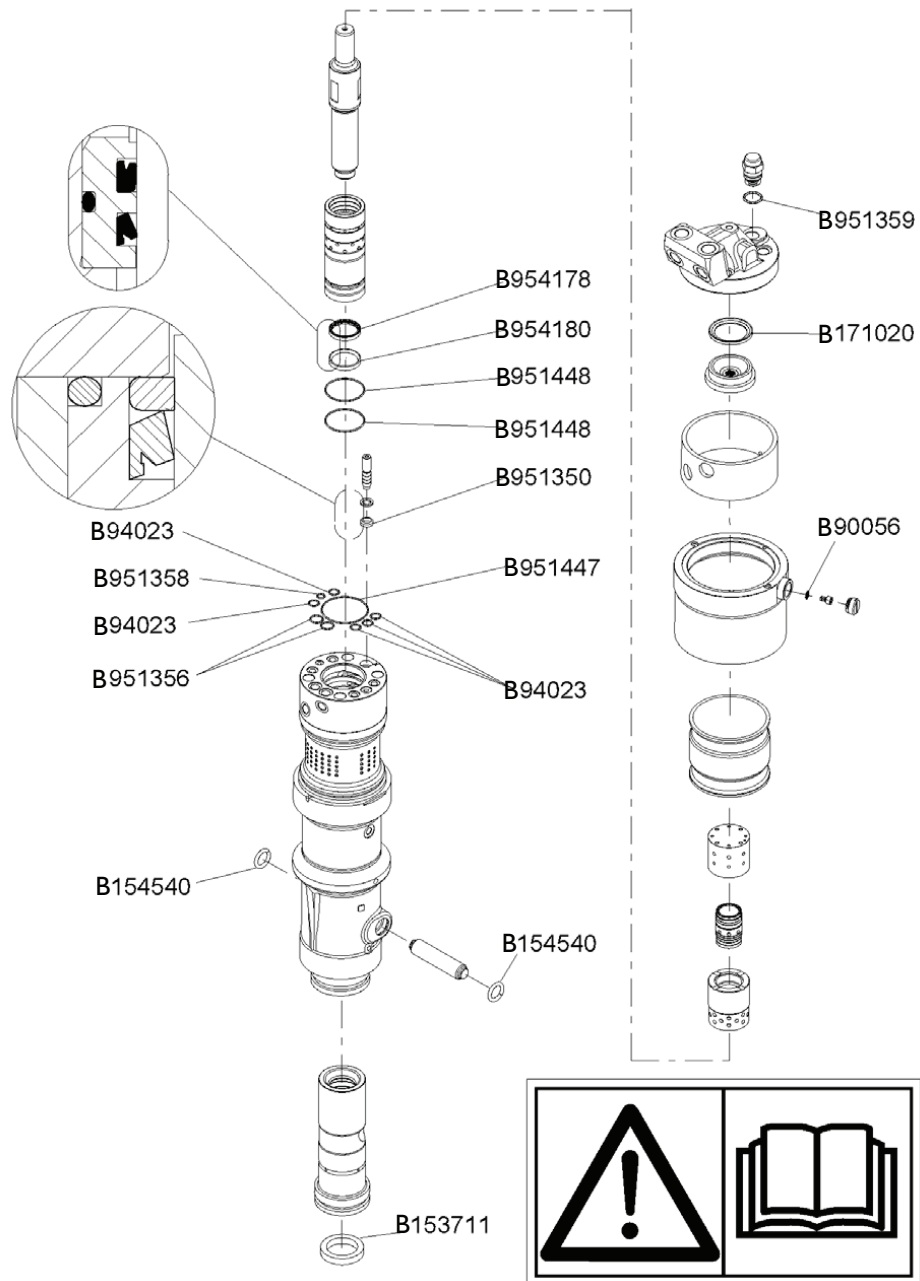
Lower tool bushing



Item	Description	Part no.	Qty
1.	Lower tool bushing (incl. part 1.2)	B171010	1
1.2	Seal *	B153711	1

*) Are included in seal set

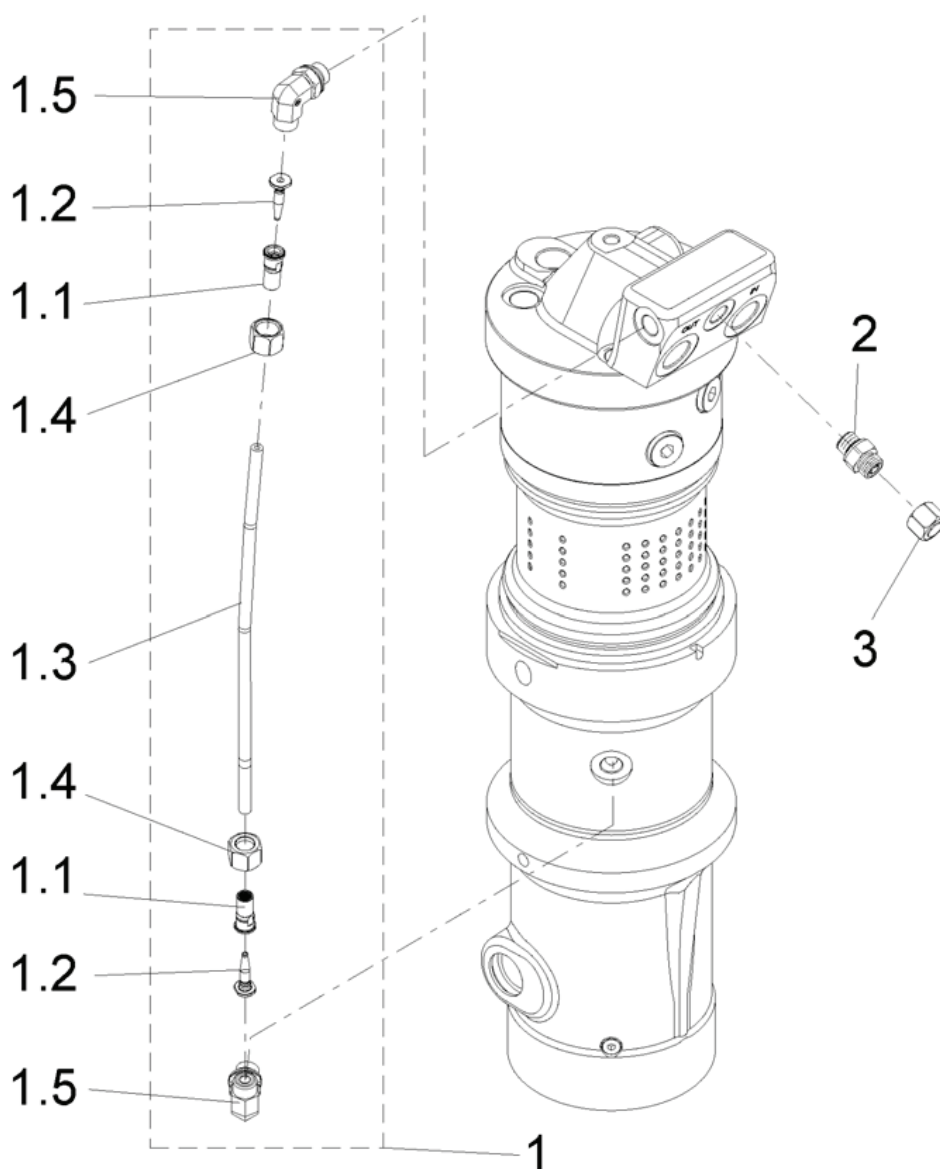
Seal set



This summary only indicates the position of the seals. It must NOT be used as assembly instruction. Read the manual.

Item	Description	Part no.	Qty
Kit	Seal set (incl. parts 1-10)	B171121	1
1.	Rubber ring	B154540	2
2.	Seal	B954178	1
3.	Seal	B954180	1
4.	O-ring	B951448	2
5.	Usit-ring, 8-13.9-1	B90056	1
6.	O-ring, D16	B94023	5
7.	O-ring, D11	B951358	1
8.	O-ring, D20	B951356	2
9.	O-ring, D82	B951447	1
10.	Seal	B951350	1
11.	O-ring, D20	B951359	1
12.	Seal	B153711	1
13.	Seal	B171020	1

Lower tool bushing



Item	Description	Part no.	Qty
1.	Hose assembly (incl. parts 1.1-1.5)	B172188	1
1.1	Sleeve	B153035	2
1.2	Insert	B153036	2
1.3	Hose	B954344	1
1.4	Nut	B951296	2
1.5	Connector	B954343	2
2.	Connector	B951295	1
3.	Nut	B954097	1