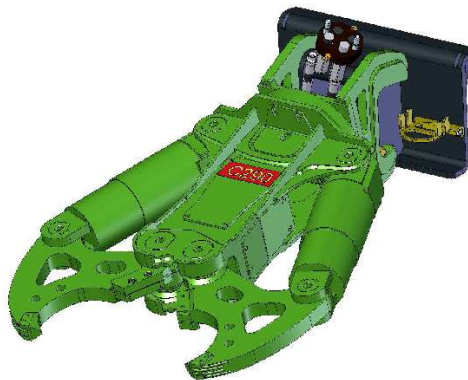


AVANT[®]

VARAOSAKIRJA
PART LIST
DELLISTA
ERSATZTEILLISTE



Purkusakset C290
Cutter crusher C290
Betongsax C290
Hydraulische shere C290

A36492

21.4.2015

Manufacturer:

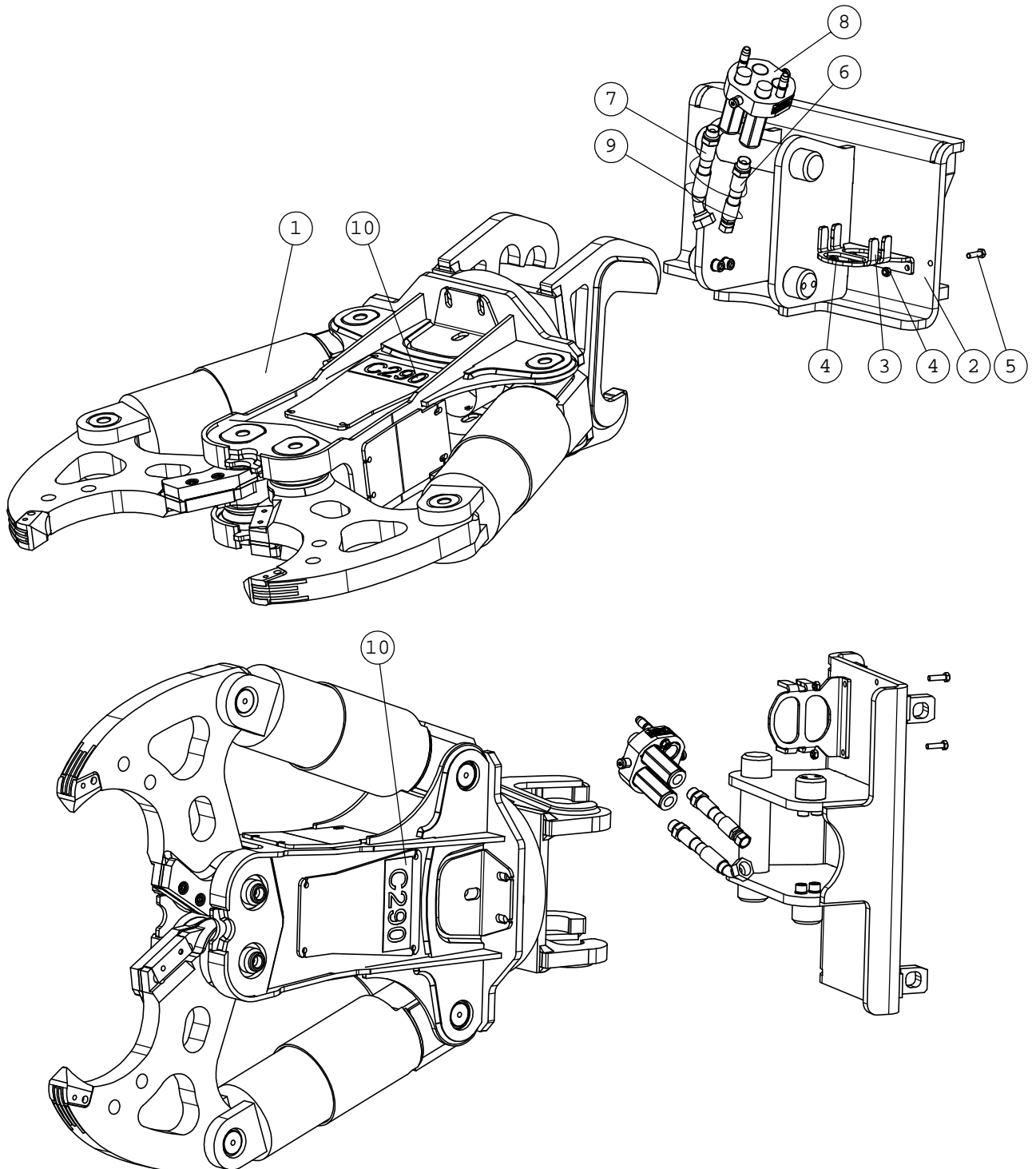
AVANT[®]
AVANT TECNO OY
e-mail: sales@avanttecno.com

Ylötie 1
33470 Ylöjärvi
FINLAND
Tel. +358 3 347 8800
Fax +358 3 348 5511

www.avanttecno.com

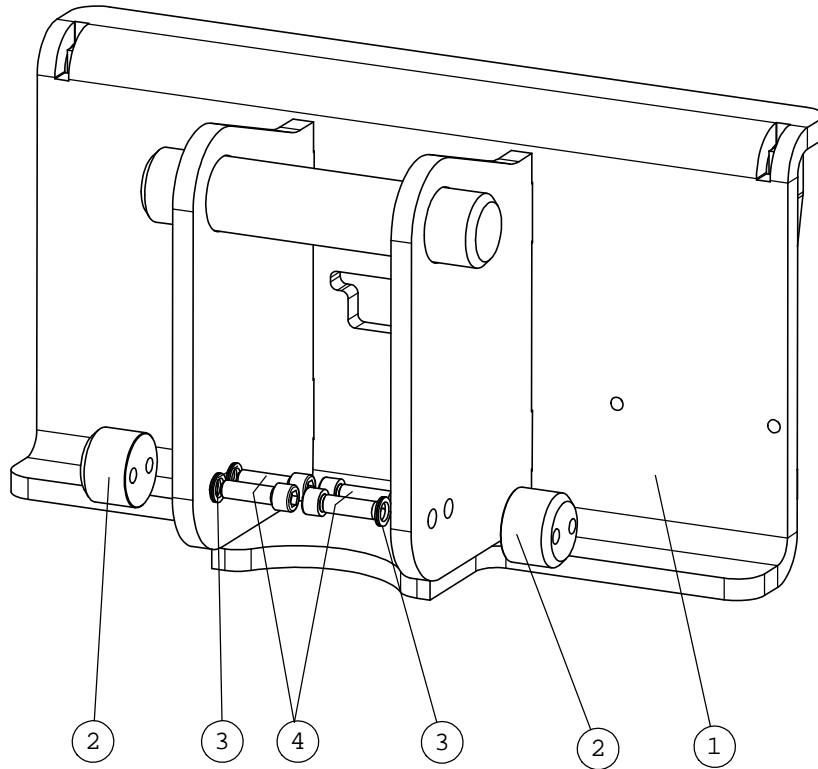
A36492**PURKUSAKSET C290****KOKOONPANO**

NRO REF POS TEIL	OSAN NRO PART NO BESTÄLL.NR BEST.NR	KPL QTY ST ST	NIMITYS	DESCRIPTION	BENÄMNING	BEZEICHNUNG
1	65961	1	PURKUSAKSET C290	CUTTER CRUSHER C290	BETONGSAX C290	HYDRAULISCHE SCHERE
2	A419261	1	AVANT ROBOT ADAPTERI	MOUNTING BRACKET, CU	ADAPTER, BETONGSAX C	ANBAUPLATTE, HYDR. S
3	a418927	1	PIKALIITINRYHMÄN	PARKING FOR MULTI CO	HÄLLARE TILL FLERKOP	HALTERUNG FÜR MULTIK
4	72320	2	KUUSIOMUTTERI ZN	NUT M8 NYLOC DIN 98	SEKKANTMUTTER M8 NY	SECHSKANTMUTTER M 8
5	72133	2	KUUSIORUUVI ZN	HEXAGONAL SCREW M8x3	SEKKANTSKRUV M8x30 D	SECHSKANTSCHRAUBE M
6	a415596	1	HYDR.LETKU L=1500	HYDR. HOSE L=1500	HYDRAULSLANG L=1500	HYDR. SCHLAUCH L=1500
7	A419280	1	HYDR.LETKU L=1650	HYDR. HOSE L=1650	HYDRAULSLANG L=1650	HYDR. SCHLAUCH L=16
8	65251	1	PIKALIITINRYHMÄ	MULTI CONNECTOR, 2 C	FLERKÖPPLING, 2 KOPP	MULTI-KUPPLUNG, 2 KU
9	a412416	1	SUOJASPIRAALI SP-032	HOSE PROTECTOR SPIRA	SLANGSKYDD, SPIRAL,	SCHLAUCHSCHUTZ SPIRA
10	a418391	2	TARRA	DECAL C290	DEKAL C290	AUFKLEBER C290



A419261 AVANT ROBOT ADAPTERI KOKOONPANO

NRO REF POS TEIL	OSAN NRO PART NO BESTÄLL.NR BEST.NR	KPL QTY ST ST	NIMITYS	DESCRIPTION	BENÄMNING	BEZEICHNUNG
1	A36596	1	RUNKO	PLATE, MOUNTING BRAC	PLÅT, REDSKAPSADAPTE	RAHMEN, ANBAUPLATTE
2	A419262	2	KIINNITYSHOLKKI	MOUNTING BUSHING	BUSSNING	AUFNAHMEHÜLSE
3	74532	4	ALUSLEVYPARI M12	WASHER NORDLOCK NL12	BRICKA NORDLOCK NL12	UNTERLEGSSCHEIBE NORD
4	74832	4	KUUSIOKOLORUUVI	HEXAGONAL HEAD SCREW	SEKKANTHÅLSKRUV M12	INNEN-SECHSKANTSCHR

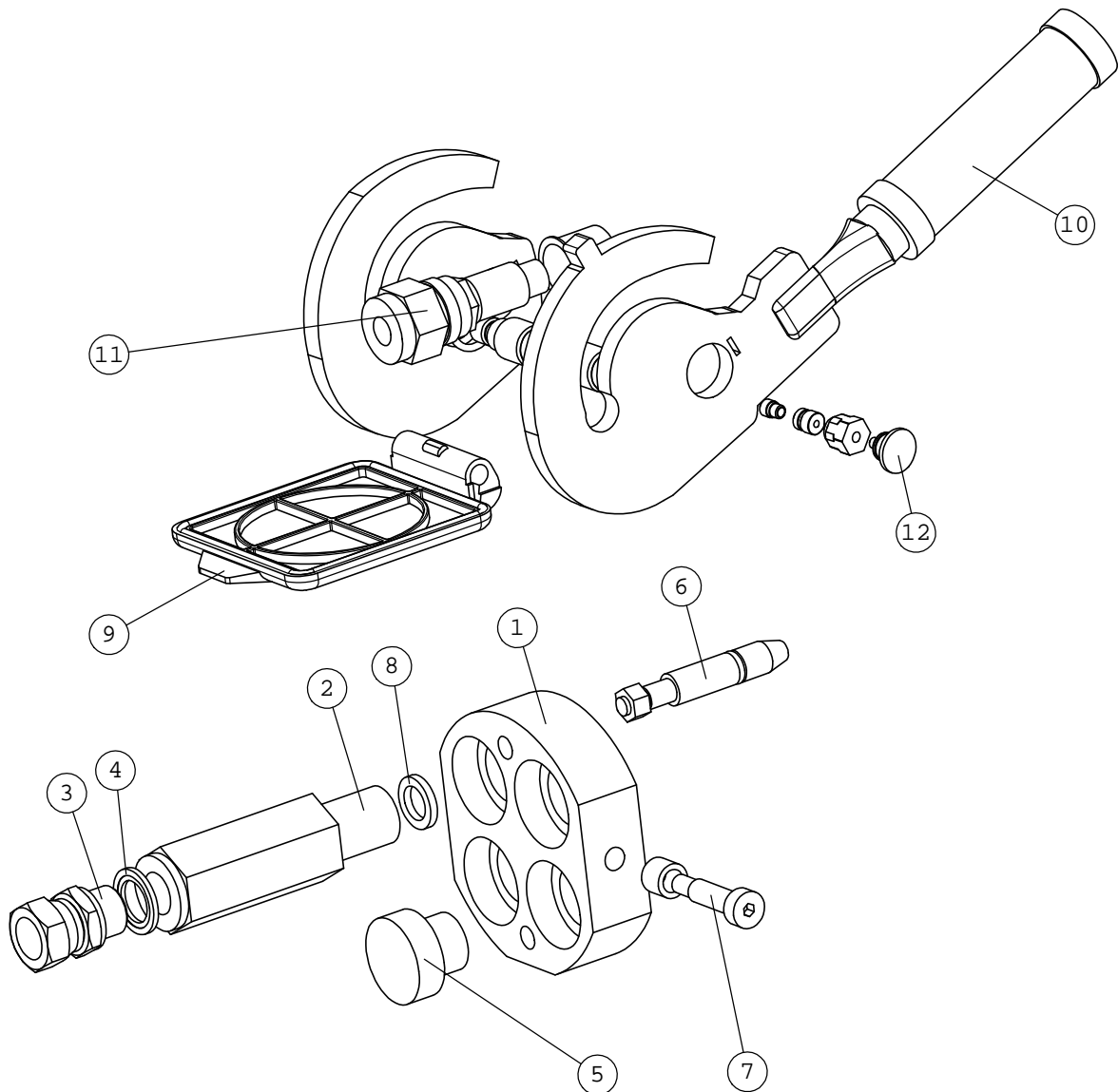


A417531

PIKALIITINRYHMÄ

VARAOSAKOKOONPANO

NRO REF POS TEIL	OSAN NRO PART NO BESTÄLL.NR BEST.NR	KPL QTY ST ST	NIMITYS	DESCRIPTION	BENÄMNING	BEZEICHNUNG
1	65628	1	PIKALIITINRUNKO KIT	MULTIFASTER MOBILE B	MULTIFASTER MOBILE B	MULTIFASTER MOBILE B
2	65627	1	PIKALIITIN UROS	CHECK VALVE CARTRIDG	KONTRASTVENTILPATRON	RÜCKSCHLAGVENTIL-PAT
3	65600	1	YHDYSNIPPA	CONNECTOR NIPPLE 8	FÖRBINDINGSNIPPEL	VERBINDUNGSNIPPEL
4	73047	1	USIT-TIIVISTE R1/2"	USIT SEAL RING R/12"	USIT-PACKNING 1/2" F	USIT-DICHTUNGSSCHEIB
5	65626	1	PIKALIITINTULPPA	PLUG, MULTI CONNECTO	PROPP, FLERSNABBKOPP	PROPFEN, KIT, MULTIK
6	65878	1	PIKALIITIN OHJAINAP	GUIDE PIN MULTIFASTE	STYRTAPP MULTIFASTER	STEUERBOLZEN MULTIFA
7	65879	1	PIKALIITIN LUKITUSTA	LOCKING PIN MULTIFAS	LÄSTAPP MULTIFASTER	VERRIEGELUNGSBOLZEN
8	65880	1	PIKALIITIN TIIVISTE	SEAL RING, MULTI CON	PACKNING, FLERSNABBK	DICHTUNG, MULTI-KUPP
9	65882	1	PIKALIITIN SUOJALEVY	CAP PLATE, KIT, MULT	LOCK, KIT, FLERSNABB	SCHUTZDECKEL, KIT, M
10	65884	1	PIKALIITIN LUKITUSVI	HANDLE, KIT, MULTI C	HANDTAG, KIT, FLERSN	GRIFF, KIT, MULTI-KU
11	65881	1	PIKALIITINRUNKO KIT	QUICK COUPLER, ON MU	SNABBKOPPLING, PÅ FL	SCHNELLKUPPLUNG, AUF
12	65883	1	PIKALIITIN LUKITUSPA	SAFETY BUTTON, KIT,	SAKERHETSKNAPP, KIT,	DRUCKKNOPF, KIT, MUL





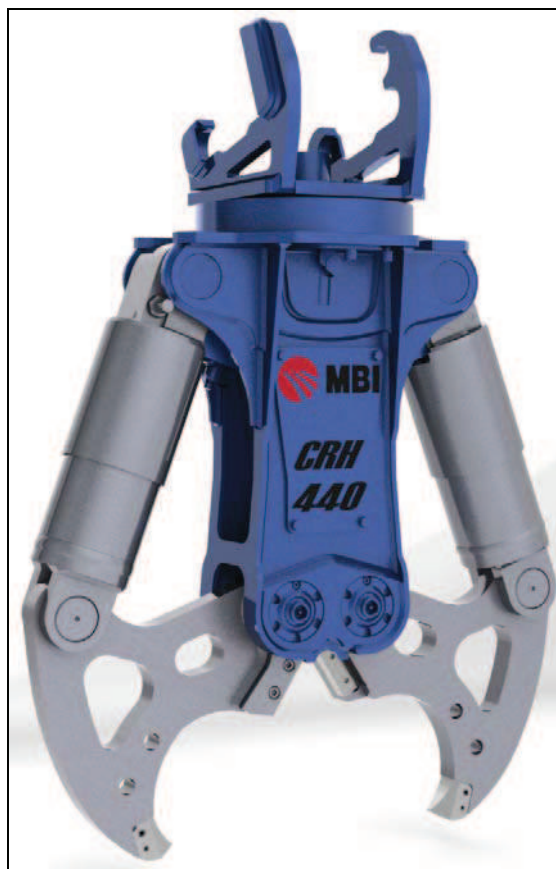
ITALIANO - ENGLISH

CATALOGO RICAMBI

Versione **CRH440**

SPARE PARTS



Version **CRH440**



RICHIESTA DI RICAMBI / SPARE PARTS REQUEST

Per qualsiasi richiesta o comunicazione con la Mantovanibenne o con i centri di assistenza autorizzati citare sempre il numero di serie (S.N°) apposto sulla targhetta di identificazione.

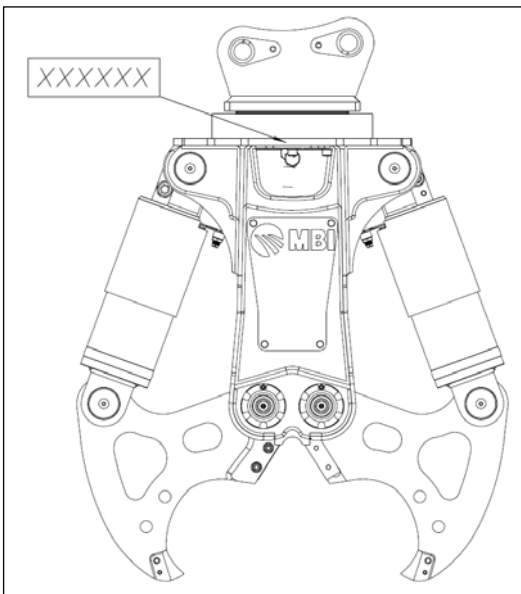
In your correspondence with Mantovanibenne (manufacturer), or any authorized customer service centres, always mention the serial number (S.N°) indicated on the identification tag.

			
<small>Attachment manufactured by Mantovanibenne S.r.l. Via Righi, 6 - Mirandola (MO) ITALY Tel. +39 0535 22390 - Fax +39 0535 24044</small>			
Model	_____	Max lift load (t)	_____
Ref. N°	_____	Max press. (t/ton)	_____
S.N.°	_____	Max press. roll (t/ton)	_____
W (mm)	_____	Max oil flow (mm)	_____
Man. Year	_____	Max oil flow (t/ton)	_____

**Mantovanibenne s.r.l Via Righi n°6 41037
Mirandola (MO) ITALY
After Sales Service Department
Tel. +39 0535 615888
Fax. +39 0535 615850
E-mail: service@mantovanibenne.com**

Nel caso la targhetta sia andata persa o si sia resa illeggibile troverete stampigliato il numero di serie direttamente sul telaio nel punto indicato.

If the identification tag is lost or rendered illegible find serial number stamped on the directly on the frame at the point indicated.



ATTENZIONE / WARNING

Non sono ammessi eventuali adattamenti o modifiche non preventivamente concordati con il costruttore e da lui approvati per iscritto.

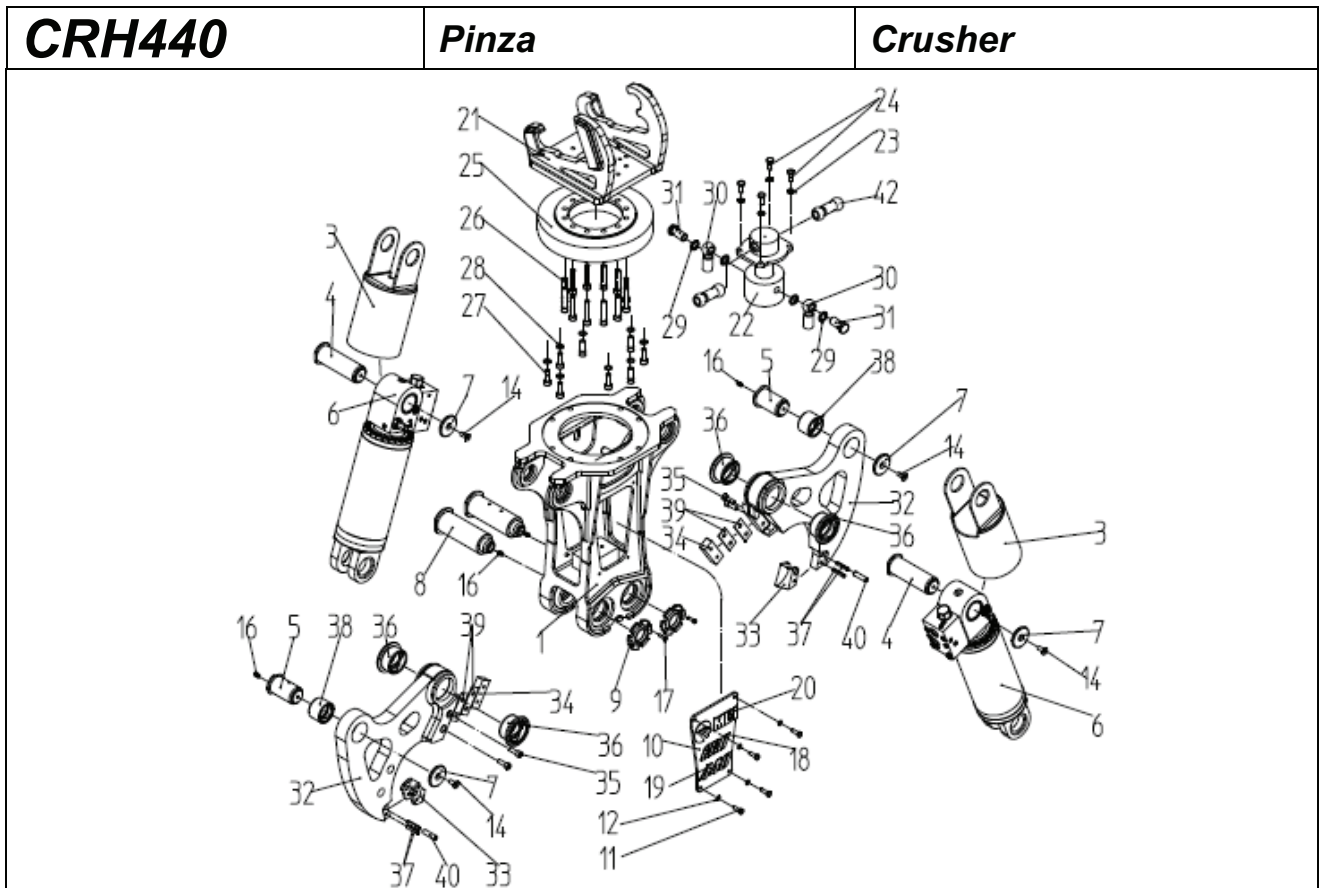
Any adaptations or modifications to the crusher are not allowed unless agreed upon by the manufacturer and approved by him in writing beforehand.

AVVERTENZA / CAUTION

Utilizzare solo parti di ricambio originali per la sostituzione di parti usurate.

Use only original mantovanibenne spare parts.

Numero di serie
Serial Number



CRH440			Pinza	Crusher
N°	Cod.	Q.ty	Denominazione	Denomination
1	440-F	1	TELAIO	FRAME
2	440-71	2	COPERCHIO	COVER
3	440-60	2	PROTEZIONE	PROTECTION
4	440-41	2	PERNO	PIN
5	440-42	2	PERNO	PIN
6	2801501058500	2	CILINDRO	CYLINDER
7	440-64	4	COPERCHIO	COVER
8	440-40	2	PERNO	PIN
9	440-50	2	GHIERA	RING NUT
10	440-70	2	COPERCHIO	COVER
11	53033	8	VITE	SCREW
12	57425-14	8	ROSETTA	WASHER
13	53102	1	VITE	SCREW
14	54319	4	VITE	SCREW
15	57411	1	ROSETTA	WASHER
16	55008	6	INGRASSATORE	LUBRICATOR
17	54023	2	VITE	SCREW
18	AD-CRH	2	ADESIVO	STICKER
19	AD-440	2	ADESIVO	STICKER
20	AD-MB1	2	ADESIVO	STICKER
21	MHF	1	ATTACCO STANDARD	STANDARD BRACKET
22	A426-10	1	DISTRIBUTORE	DISTRIBUTOR
23	57424	4	ROSETTA	WASHER
24	53044	4	VITE	SCREW
25	E1032441	1	RALLA	THRUST BEARING
26	54055-12.9	12	VITE	SCREW
27	54051	8	VITE	SCREW
28	57425-3	8	ROSETTA	WASHER
29	81020	4	BONDED SEAL	BONDED SEAL
30	440-38	2	TUBO FLEX	HOSE
31	66397	2	VITE FORATA	DRILLED SCREW
32	440-M	2	GAMBO	JAW
33	440-62	2	PUNTA	BIT
34	420-67	2	TAGLIENTE	CUTTER
35	54041-12.9	4	VITE	SCREW
36	440-30	4	BOCCOLA	BUSHING
37	95030	4	SPINA	PIN
38	MS3-31	2	BOCCOLA	BUSHING
39	440-65	4	SPESSORE	SHIM
40	57938	2	SPINA	PIN
41	440-33	1	BLOCCETTO	BLOCK
42	73085-2	2	FILTRO	FILTER

TIMBRO RIVENDITORE
IDENTIFICATION STAMP DEALER



Mantovanibenne s.r.l. - Via Righi 6 - 41037 Mirandola - MODENA - ITALY –
TEL. +39 0535 615811 - Fax +39 0535 615830 - SALES DEPT. TEL. +39 0535 615888
CAPITALE SOCIALE EURO 171.600 INTERAMENTE VERSATO - REGISTRO IMPRESE
DI MODENA N° 7615 - R.E.A. MODENA N° 127995
COD. FISC. E P. IVA 00130990369 - C. ISO IT00130990369
E-mail: mantovanibenne@mantovanibenne.com - Internet: www.mantovanibenne.com