

AVANT

Flail mower

A2853

Parts list



Manufacturer:

AVANT

AVANT TECNO OY

Ylötie 1

FIN-33470 YLÖJÄRVI

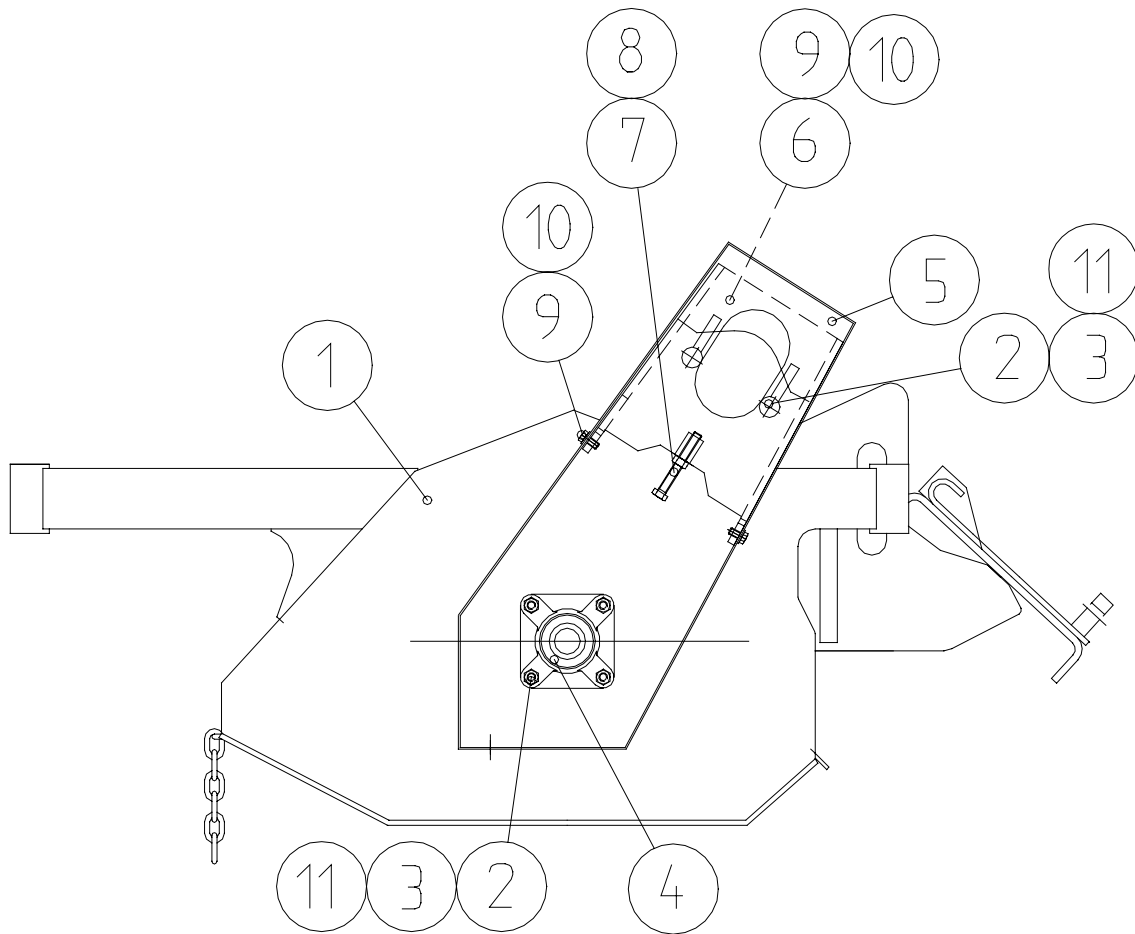
FINLAND

Tel. +358 (0)3 347 8800

Fax. +358 (0)3 348 5511

Web www.avanttecno.com

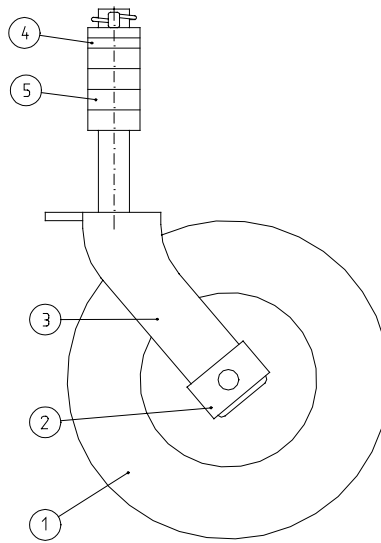
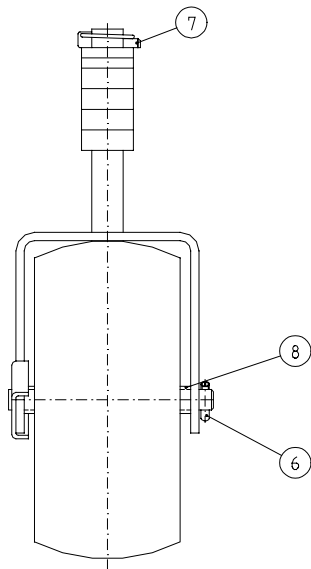
FRAME & BEARINGS



1	A2856	1	FRAME
2	74546	10	MOUNTING SCREW, HYDR. MOTOR M10*35 DIN 603
3	72322	10	HEXAGONAL NUT M10 NYLOC DIN 985
4	64655	2	BEARING UCF 206
5	A32201	1	COVER PLATE, TRAPEZ. BELT
6	A32202	1	SLIDING PLATE
7	74684	1	HEXAGONAL SCREW M10*90 DIN 933
8	72321	1	HEXAGONAL NUT M10 DIN 934 ZN
9	72128	5	HEXAGONAL SCREW M8*12 DIN 933 ZN
10	71685	5	WASHER M8 DIN 440 ZN
11	73121	10	WASHER M10 DIN 125 ZN

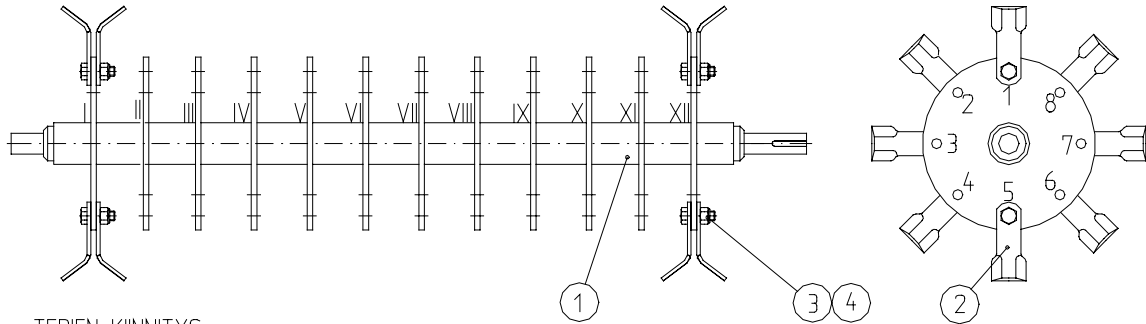
SUPPORT WHEEL, COMPLETE

A2870



1	64163	1	WHEEL, GRASS PROFILE, 140-6/6 PR T-539
2	A44802	1	SHAFT, SUPPORT WHEEL
3	A32429	1	YOKE, SUPPORT WHEEL
4	A44664	2	SPACER, PLASTIC, 10 MM
5	A44665	4	SPACER, PLASTIC, 20 MM
6	71774	1	SPRING PIN 8* 40 DIN 1481
7	71727	1	RING PIN 9,5 MM ZN
8	A44807	2	SPACER

SHAFT WITH BLADES A32217



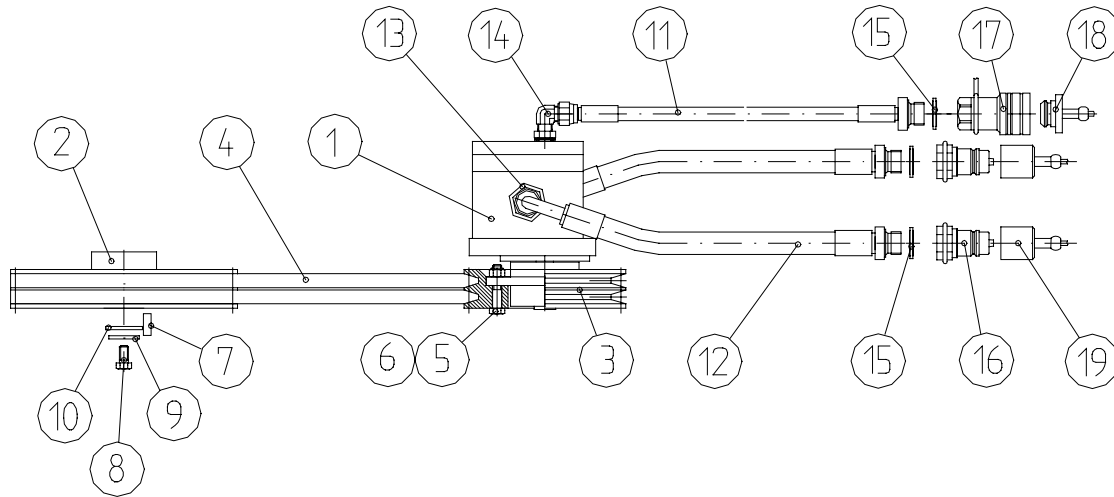
TERIEN KIINNITYS:

PAREITTAIN 2 PARIA PER LAIPPA

- REIKIIN 1 JA 5 LAIPOISSA I, III, V, VIII, X JA XII
- REIKIIN 3 JA 7 LAIPOISSA II, IV, IX JA XI
- REIKIIN 2 JA 6 LAIPASSA VI
- REIKIIN 4 JA 8 LAIPASSA VII

1	A32207	1	SHAFT
2	A44354	48	BLADE
3	72184	48	HEXAGONAL SCREW M14*40 DIN 933
4	72327	48	HEXAGONAL NUT M14 NYLOC

TRANSMISSION



1	64425	1	HYDRAULIC MOTOR
2	A32218	1	BELT PULLEY
3	A32213	1	BELT PULLEY
4	64656	2	TRAPEZOIDAL BELT SPA 1250
5	72135	2	HEXAGONAL SCREW M8*40 DIN 931 ZN
6	72320	2	HEXAGONAL NUT M8 NYLOC DIN 985
7	A45595	1	KEY 8*7*20
8	73039	1	HEXAGONAL SCREW M8*16 DIN 933 ZN
9	71685	1	WASHER M8 DIN 440 ZN
10	73018	1	WASHER M10 DIN 440 ZN
11	A45416	1	HYDRAULIC HOSE L=2100
12	A45417	2	HYDRAULIC HOSE L=1800
13	64058	2	BASIC FITTING
14	64087	1	ELBOW FITTING
15	73047	3	SEAL RING USIT R1/2"
16	73409	2	QUICK COUPLER NIPPLE 1/2" MALE
17	73457	1	QUICK COUPLER 1/2" FEMALE
18	73754	1	RUBBER PLUG 1/2" TO QUICK COUPLER
19	73753	2	RUBBER COVER 1/2" TO QUICK COUPLER