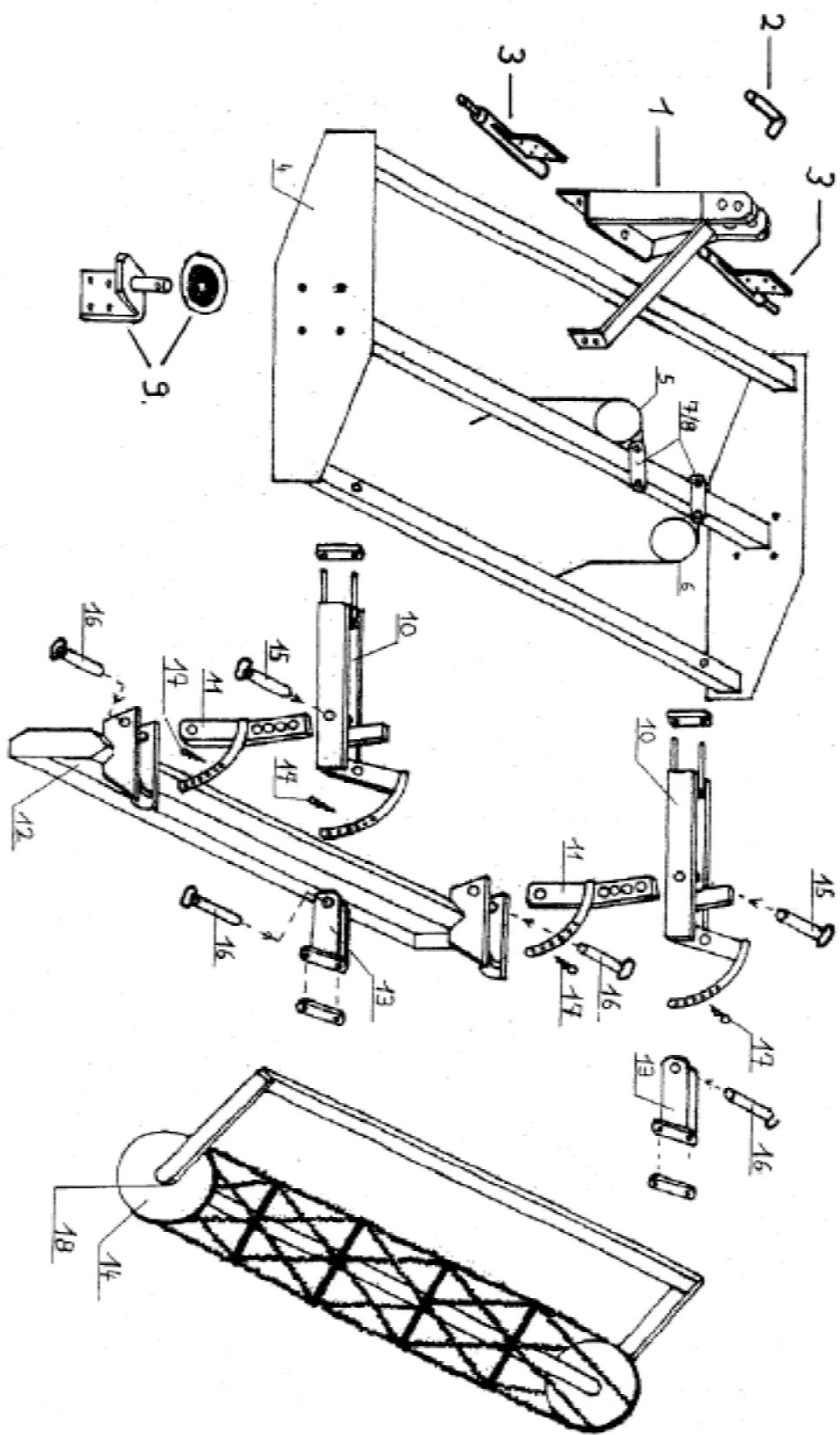


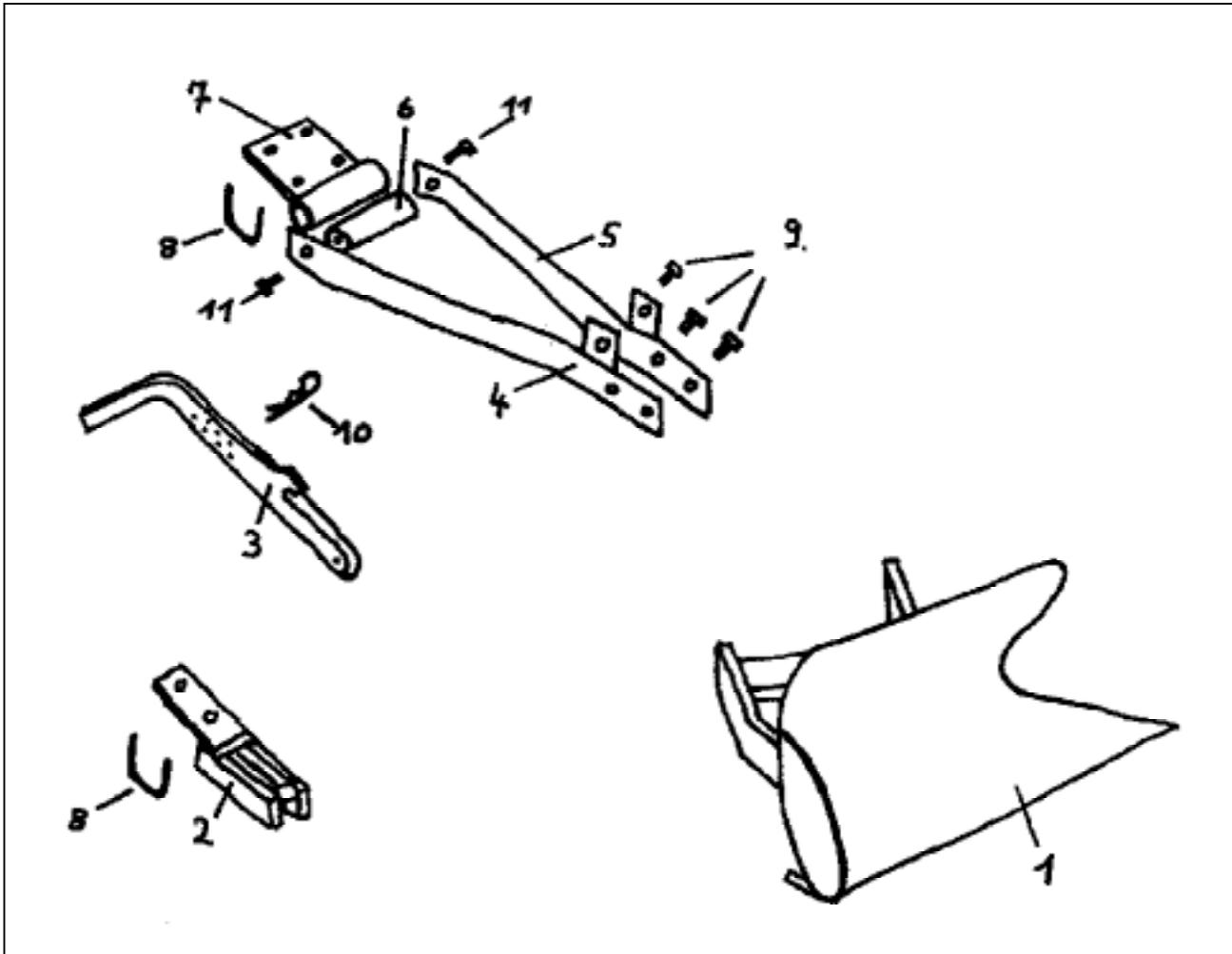
List of spare parts

Platz-Max ROLL 1,35 m GW

No.	Description	Article no.	Price EX. VAT
1	3-point Platz-Max 1,35m – 2,20 m	MB5 3004000	131,8 €
2	capsule of reduction cat. 1/2	MBRS21208005	8,5 €
3	Hydraulic arms linkages // cat. 1 and 2 left	MB5 300700L	60,4 €
	Hydraulic arms linkages // cat. 1 and 2 right	MB5 300800R	60,4 €
4	Frame - 1,35 m	MB5 113500	255,0 €
5	Tins (front)	MBRS 10.ST-RA- 9 V	9,9 €
6	Tins (behind)	MBRS 10.ST-RA- 9 H	9,9 €
7	Bolt	MBRS ZRB001 28050	5,8 €
8	Tine mounting plate	MB5 305900	2,1 €
9	Side wheel (side protection)	MBRS 522/200BG	12,7 €
	Holder side wheel	MB5 306300	54,9 €
	Telescopic tube		
11	Mounting arms for levelling plate and roller	MB5 300200	68,3 €
12	Levelling blade 1,35 m	MB5 213500	209,2 €
13	mounting arms for roller	MB5 300300	63,0 €
15	bolt	MBRS 14-0901	6,1 €
16	bolt	MBRS 14-899	5,6 €
17	splint	CL6D	1,0 €
18	Bearing for lattice roller without illustration	UCFL 205NB	55,4 €
19	the frame for lattice roller of 1,35m without illustration	MB5 3 043 00	164,9 €



No.	Description	Article no.	Price EX. VAT
1	blade – right	MB5 3017 00 R	109,8 €
	blade – left	MB5 3018 00 L	109,8 €
2	holder - gear	MB5 3018 00	32,3 €
3	plate	MB5 3017 00	38,4 €
4	holding plate – right	MB5 3015 00 R	25,9 €
5	holding plate – left	MB5 3016 00 L	25,9 €
6	shaft	MB5 3014 00	20,3 €
7	joint	MB5 3013 00	30,9 €
8	bolt	MBRS ZRB001 28050	5,8 €
9	bolt	931 10 50 /985 10	0,5 €
10	split pin	CL6D Z	1,0 €
11	screw with springing	931 12 30 / 127 B12	0,7 €



No.	Description	Article no.	Price EX. VAT
1	drawbar	MB5 3 180 00	60,4 €
2	drawbar	MB5 3 179 00	186,9 €
3	holding plate	MB5 3 030 00R	318,7 €
4	holding plate	MB5 3 031 00L	318,7 €
5	tension spring	MBRS Z-252I	42,2 €
6	top link	TL 2502411 U	48,5 €
7	clevis pin with lynch pin	MBRS 999.9999	9,3 €
8	cylinder	SPEC 13	111,2 €
9	blade wheel	MBRS R400/5-K75/1	61,6 €
10			
11	globular clutch	MBRS 1030	29,7 €
12	Hose for cylinder (2x)	DKLO 81300	19,6 €
13	Hose to the vehicle/AVANT loader	DKLO 81800	27,3 €

