

# AVANT

## Collecting lawn mower 1200

### Parts list



**A21315 Collecting mower 1200 mm / 200 Series**

**A21316 Collecting mower 1200 mm / 500 & 600 Series**

**Manufacturer:**

**AVANT**

AVANT TECNO OY

Ylötie 1

FIN-33470 YLÖJÄRVI

FINLAND

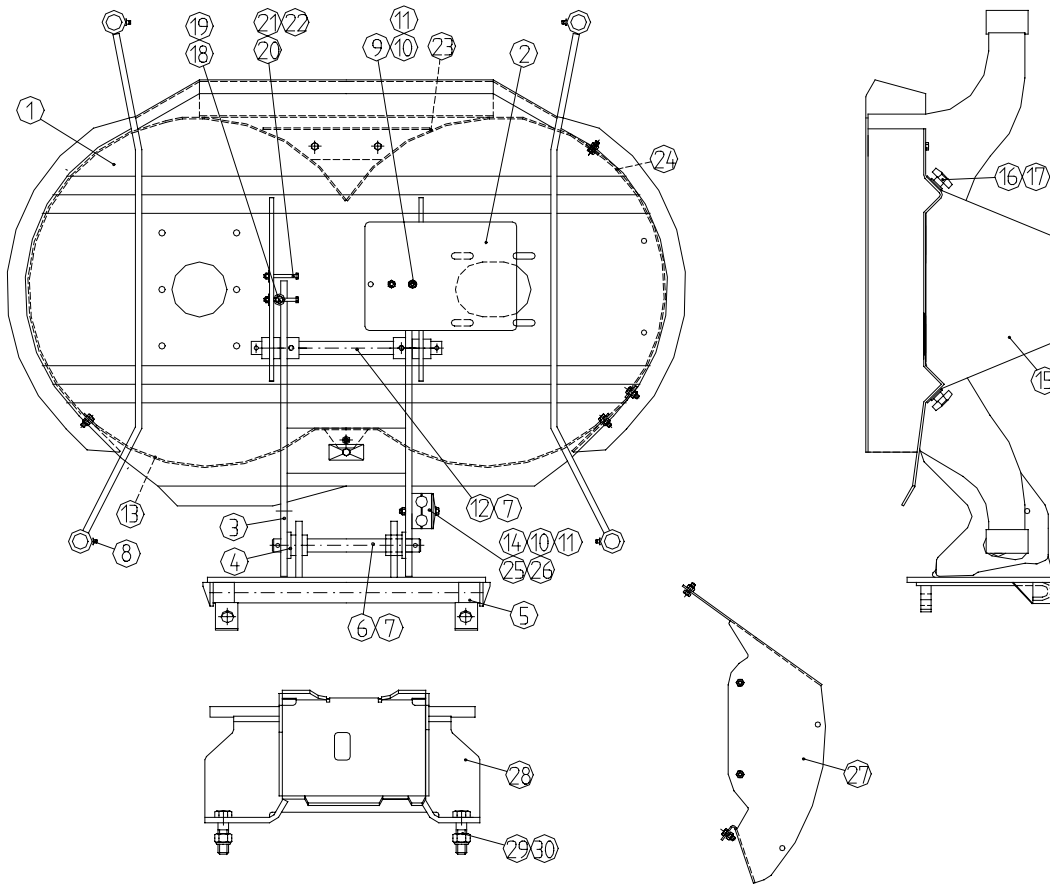
Tel. +358 3 347 8800

Fax. +358 3 348 5511

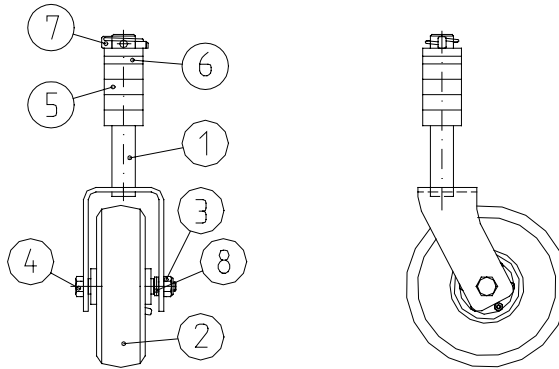
E-mail [sales@avanttecno.com](mailto:sales@avanttecno.com)

Web [www.avanttecno.com](http://www.avanttecno.com)

## FRAME AND ATTACHMENT BRACKET

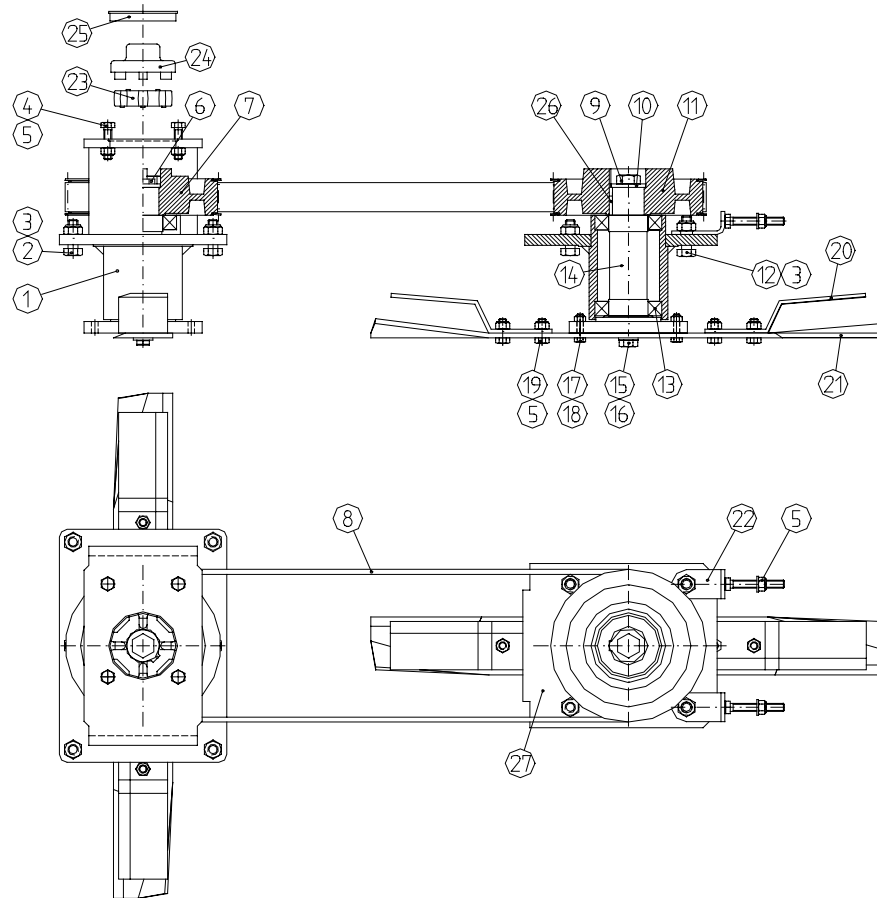


1	A21121	1	FRAME
2	A46547	1	COVER PLATE, HOSES
3	A33206	1	MOUNTING FRAME
4	A46019	2	BUSHING
5	A33207	1	BRACKET, ATTACHMENT COUPLING PLATE
6	A46566	1	PIN
7	71774	4	SPRING SPLINT 8*40 DIN 1481
8	72798	6	GREASE NIPPLE R1/8 STRAIGHT DIN 71412
9	72132	2	HEXAGONAL SCREW M8*25 DIN 933 ZN
10	72320	4	HEXAGONAL NUT M8 DIN 985
11	73122	4	WASHER M8 DIN 125 ZN
12	A46567	1	PIN
13	A33210	1	PLATE, REAR
14	72141	2	HEXAGONAL SCREW M8*70 DIN 931 ZN
15	A33211	1	COVER PLATE
16	64355	4	FINGER SCREW, STAR, M8
17	71685	4	WASHER M8 DIN 440 ZN
18	74138	1	HEXAGONAL SCREW M8*55 DIN 933 ZN
19	72319	1	HEXAGONAL NUT M8 DIN 934 ZN
20	72125	3	HEXAGONAL SCREW M6*60 DIN931 ZN
21	72318	3	HEXAGONAL NUT M6 DIN 985
22	71681	3	WASHER M6 DIN 440 ZN KORU
23	A46823	1	FRONT PLATES
24	A46824	1	BLOCKING PLATE
25	64890	2	COVER PLATE, PIPE CLAMP F22
26	64889	2	PIPE CLAMP, DOUBLE F22
27	A46826	1	PLATE, SIDE EJECTION
28	A33126	1	ADAPTER, 200 SERIES
29	72229	2	HEXAGONAL SCREW M20*70 DIN 931 ZN
30	72335	2	HEXAGONAL NUT M20 DIN 985

**SUPPORT WHEEL A46576**

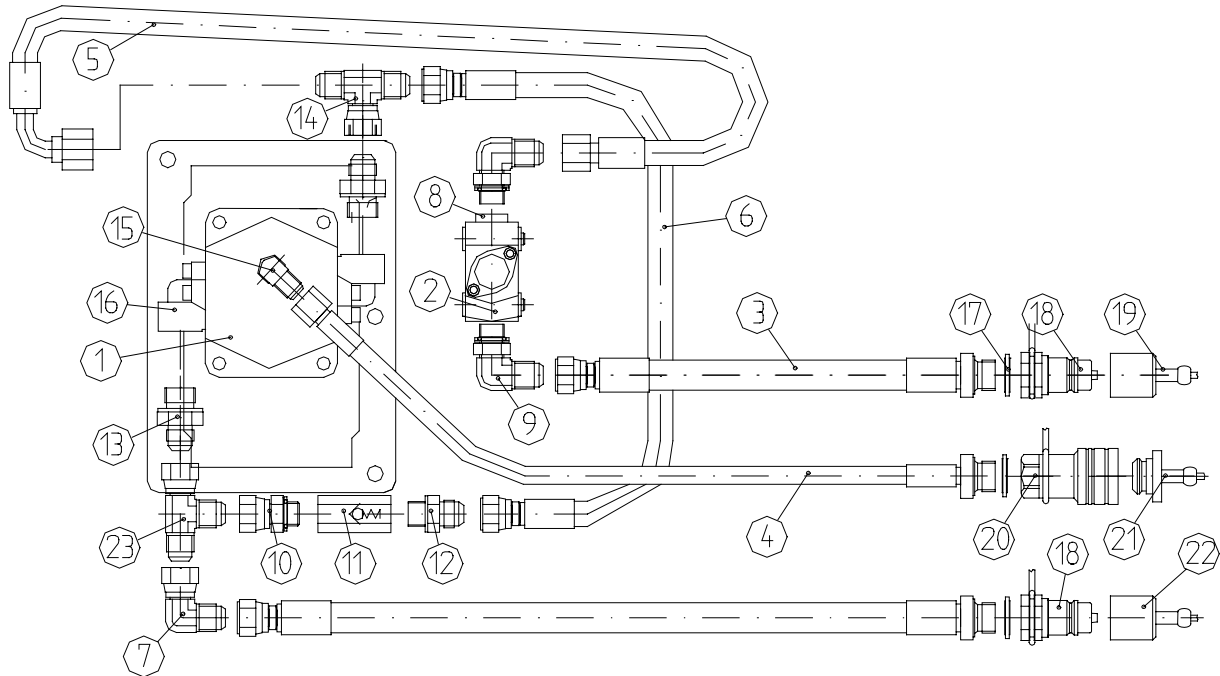
Pos.	Part no.	Pcs	Designation
1	A46574	1	YOKE, SUPPORT WHEEL
2	A46561	1	WHEEL 250-3
3	72324	1	HEXAGONAL NUT M12 DIN 985
4	73573	1	HEXAGONAL SCREW M12*120 ZN DIN 933
5	A44665	4	ADJUSTING RING, PLASTIC, 20 MM
6	A44664	2	ADJUSTING RING, PLASTIC, 10 MM
7	71727	1	RING SPLINT 9,5 MM ZN
8	7169	2	WASHER M12 ZN DIN 125

## TRANSMISSION



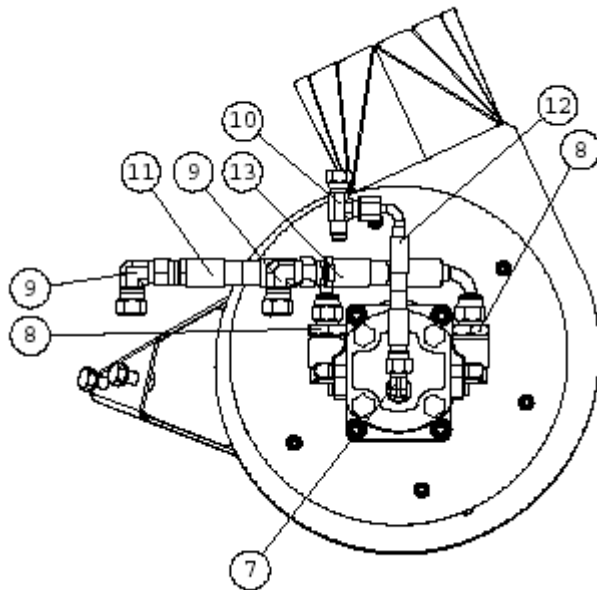
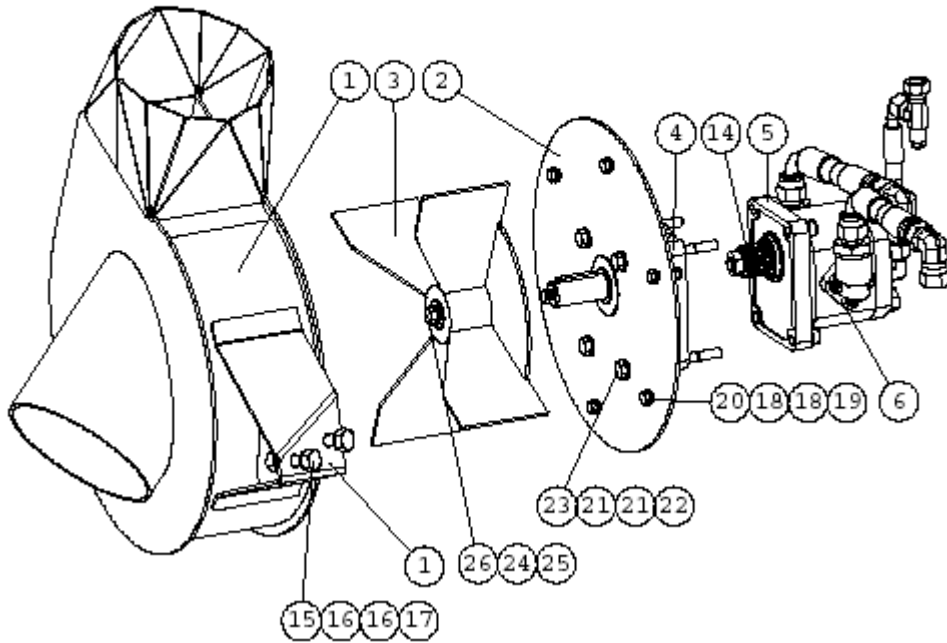
Pos.	Part no.	Pcs	Designation
1	A46592	1	BRACKET, BEARINGS, LEFT
2	72151	8	HEXAGONAL SCREW M10*30 DIN 933 ZN
3	72322	10	HEXAGONAL NUT M10 DIN 985 NYLOC
4	73443	4	HEXAGONAL SCREW M8*35 DIN 933 ZN
5	72320	14	HEXAGONAL NUT M8 DIN 985 NYLOC
6	A46608	1	BOLT
7	A46597	1	BELT PULLEY, LEFT
8	64877	1	COGGED BELT L=1600
9	72183	1	HEXAGONAL SCREW M14*25 DIN 933 ZN
10	A46595	2	WASHER
11	A46598	1	BELT PULLEY, RIGHT
12	74505	2	HEXAGONAL SCREW M10*35 DIN 933 ZN
13	64038	4	BEARING 6008 2RS
14	A33099	2	SHAFT
15	73041	2	HEXAGONAL SCREW M12*25 DIN 933 ZN
16	71691	2	WASHER M12 DIN 125 ZN
17	72119	4	HEXAGONAL SCREW M6*25 DIN 933 ZN
18	72318	4	HEXAGONAL NUT M6 DIN 985 NYLOC
19	72130	8	HEXAGONAL SCREW M8*20 DIN 933 ZN
20	A46612	4	BLADE, UPPER, L=177
21	A33205	2	BLADE, L=615
22	A46828	2	TIGHTENER
23	64299	1	RUBBER RING, COUPLING
24	64301	1	COUPLING
25	A46596	1	RING
26	A46582	2	KEY
27	A46564	1	BRACKET, BEARINGS, RIGHT

## HYDRAULIC HOSES AND MOTOR



Pos.	Part no.	Pcs	Designation
1	64876	1	HYDRAULIC MOTOR PLM 20.11,2
2	64761	1	SHUT-OFF VALVE DF5/3A 17C-BSP3/8
3	A47267	2	HYDRAULIC HOSE L=2380 2LW-06
4	A47268	1	HYDRAULIC HOSE L=2380 1LW-04
5	A44336	1	HYDRAULIC HOSE L=360 2LW-06
6	A44024	1	HYDRAULIC HOSE L=340 2LW-06
7	64134	1	ELBOW FITTING UNF3/4 SK-UNF3/4 UK
8	74411	1	HEXAGONAL PLUG R3/8
9	64068	2	ELBOW FITTING R3/8 UK-UNF3/4 UK
10	64082	1	CONNECTOR NIPPLE R3/8 UK-UNF3/4 SK
11	64065	1	CHECK VALVE VUC 20
12	64042	1	BASIC FITTING R3/8 UK-UNF3/4 UK
13	64058	2	BASIC FITTING R1/2 UK-UNF3/4 UK
14	64307	1	T FITTING BODY UNF3/4 SK-2*UNF3/4 UK
15	64087	1	ELBOW FITTING R1/4 UK-UNF9/16 UK
16	64067	2	PRESSURE FLANGE 1G12
17	73047	3	USIT SEAL R1/2
18	64563	2	QUICK COUPLER NIPPLE R1/2 SK FLAT FACE, 200 SERIES
18	73409	2	QUICK COUPLER NIPPLE R1/2 SK, 500 SERIES
19	64811	1	COVER, QUICK COUPLER, RED, 200 SERIES
19	64878	1	COVER, QUICK COUPLER, BLUE, 500 SERIES
20	64564	1	QUICK COUPLER, FEMALE, R1/2 SK FLAT FACE, 200 SERIES
20	73457	1	QUICK COUPLER, FEMALE, R1/2 SK, 500 SERIES
21	64568	1	COVER, QUICK COUPLER, BLACK, 200 SERIES
21	73754	1	COVER, QUICK COUPLER, BLACK, 500 SERIES
22	64567	1	COVER, QUICK COUPLER, BLACK, 200 SERIES
22	73753	1	COVER, QUICK COUPLER, BLACK, 500 SERIES
23	64050	1	L FITTING BODY UNF3/4 SK-2*UNF3/4 UK
24	A33107	1	PROTECTION SPIRAL, HOSE, PLASTIC SP-032 0.5M

**A33944 PUHALLIN**

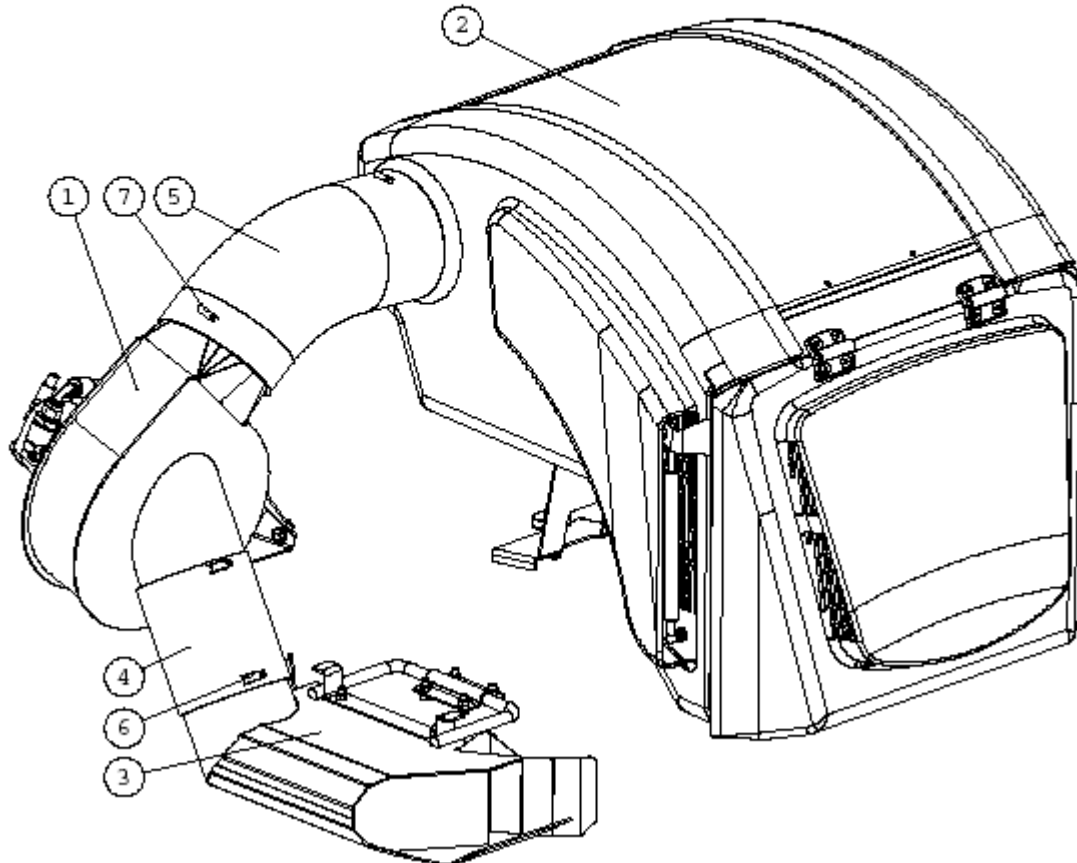


## A33944 PUHALLIN

NRO REF POS TEIL	OSAN NRO PART NO BESTÄLLNR BEST.NR	KPL QTY ST ST	NIMITYS	DESCRIPTION	BENÄMNING	BEZEICHNUNG
1	A33942	1	PUHALTIMEN RUNKO HIT	FRAME, FAN, COLLECTI	RAM, FLÄKT, KLIPPAGG	RAHMEN, GEBLÄSE, MAH
2	A49269	1	KIINNITYSLEVY	MOUNTING PLATE, FAN	MONTERINGSPLÅT, FLÅK	AUFNAHMEPLATTE, LUFT
3	A49256	1	SIIPYÖRÄ HITS	IMPELLER	PROPELLER, FLÄKT	FLÜGELRAD
4	64860	1	TUKILAAKERIYKSIKKO	BEARING BORELLI 2560	LÅGER BORELLI 25603	LÅGER BORELLI 25603
5	64854	1	HYDR. MOOTTORI	HYDRAULIC MOTOR PLM2	HYDRAULMOTOR PLM20.8	HYDRAULIKMOTOR PLM20
6	64067	2	PAINELAIPPA	PRESSURE FLANGE, HYD	TRYCKFLÅNS, HYDRAULP	DRUCKFLÅNSCH 1G 12
7	64087	1	KULMALIITIN 90 AST.	ELBOW FITTING 90 DEG	VINKELKOPPLING 90 GR	WINKEL EINSCHRAUBVER
8	64058	2	PERUSLIITIN	BASIC FITTING F40X51	RAK KÖPPLING F40X512	GERADE EINSCHRAUBVER
9	64134	2	KULMALIITIN 90 AST	ELBOW FITTING 90 DEG	VINKELKOPPLING 90 GR	WINKEL-Verschraubung
10	64078	1	L-LIITINRUNKO	L-FITTING BODY R6X51	L-KÖPPLING RAM R6XS	L - Verschraubung R6
11	A49439	1	HYDR.LETKU L=1600	HYDR. HOSE L=1600	HYDRAULSLANG L=1600	HYDR. SCHLAUCH L=1600
12	A49440	1	HYDR.LETKU L=1600	HYDR. HOSE L=1600	HYDRAULSLANG L=1600	HYDR. SCHLAUCH L=1600
13	a49719	1	HYDR.LETKU L=1300	HYDR. HOSE L=1300	HYDRAULSLANG L=1300	HYDR. SCHLAUCH L=1300
14	64790	1	NAPA LIUKUVÄLIKYTK.	HUB, COUPLING MD 2/1	NAV, MELLANKOPPLING	NABE, KUPPLUNG MO 2/1
15	72151	2	KUUSIORUUVI ZN	HEXAGONAL SCREW M10x	SEKKANTSKRUV M10x30	SECHSKANTSCHRAUBE M10
16	74531	4	ALUSLEVYYPARI M10	SPACER NORDLOCK M10	BRICKA NORDLOCK M10	UNTERLEGSCHLEIBE NORD
17	72321	2	KUUSIOMUTTERI ZN	HEXAGONAL NUT M10 D	SEKKANTMUTTER M10 DI	SECHSKANTMUTTER M10
18	71680	12	ALUSLEVY M 6	WASHER M6 DIN 125	BRICKA M6 A6.4 DIN 1	UNTERLEGSCHLEIBE M6 A
19	72318	6	KUUSIOMUTTERI	HEXAGONAL NUT M6 N	SEKKANTMUTTER M6 NY	SECHSKANTMUTTER M6
20	72117	6	KUUSIORUUVI ZN	HEXAGONAL SCREW M6x1	SEKKANTSKRUV M6x16	SECHSKANTSCHRAUBE M6
21	73122	8	ALUSLEVY M 8	WASHER M8 DIN 125 Z	BRICKA M8 DIN 125 Z	UNTERLEGSCHLEIBE M8 D
22	72320	4	KUUSIOMUTTERI ZN	NUT M8 NYLOC DIN 98	SEKKANTMUTTER M8 NY	SECHSKANTMUTTER M8
23	72144	4	KUUSIORUUVI ZN	HEXAGONAL SCREW M8x9	SEKKANTSKRUV M8x90 D	SECHSKANTSCHRAUBE M8
24	63944	1	ALUSLEVYYPARI M 8	WASHER, PAIR, NORD-L	BRICKA NORD-LOCK M8	UNTERLEGSCHLEIBE, PAA
25	74526	1	ALUSLEVY M 8	WASHER M8 8.4x25x1	BRICKA M8 8.4x25x1	UNTERLEGSCHLEIBE M8
26	72130	1	KUUSIORUUVI ZN	HEX.SCREW M8x20	SEKKANTSKRUV M8x20 D	SECHSKANTSCHRAUBE M8
27	A49450	1	SUOJASPIRAALI SP-032	HOSE PROTECTION SPIR	SLANGSKYDD, SPIRAL	SCHLAUCHSCHUTZ, SPIR

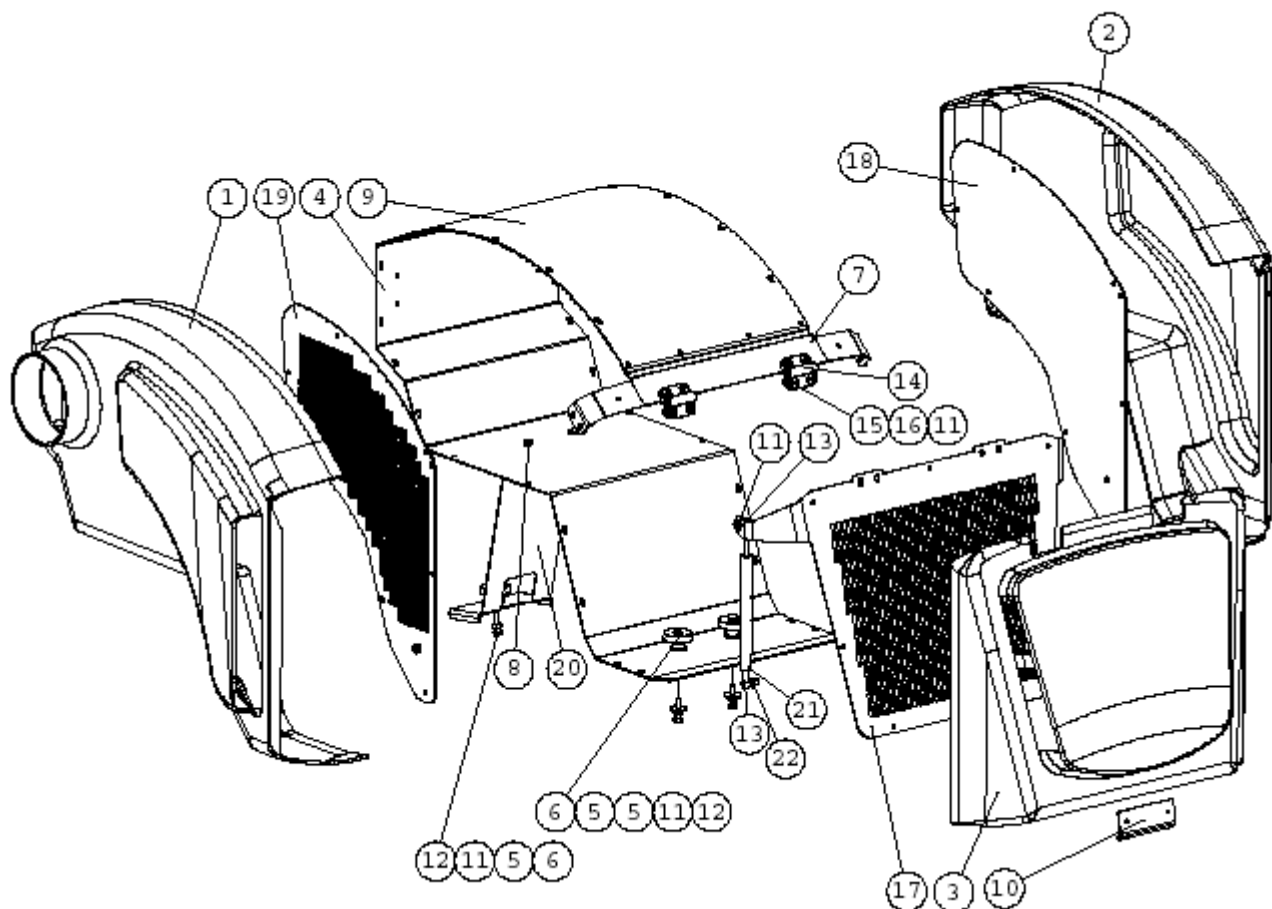
A21309

KERÄÄJÄ

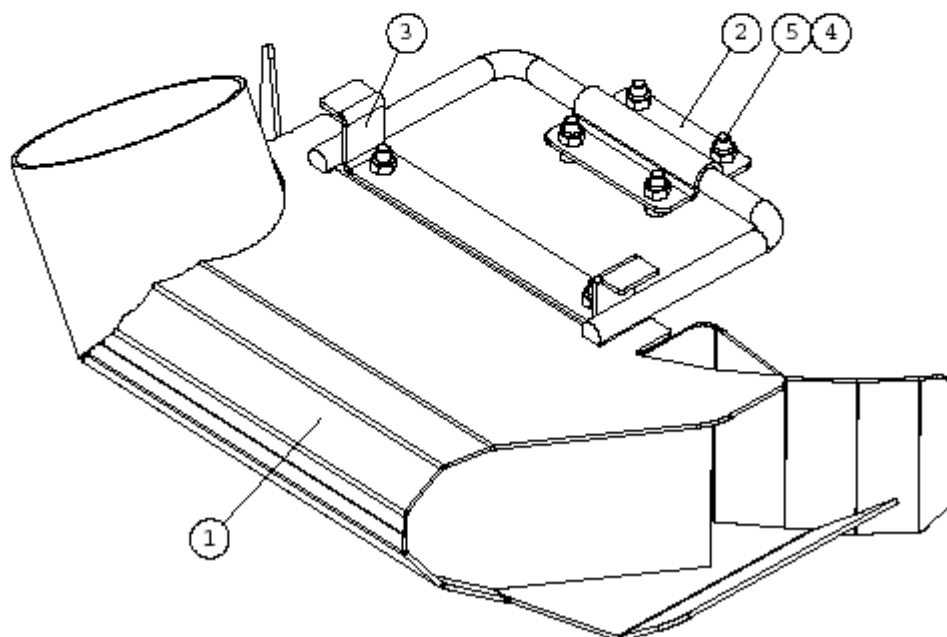


NRO REF POS TEIL	OSAN NRO PART NO BESTÄLL.NR BEST.NR	KPL QTY ST ST	NIMITYS	DESCRIPTION	BENÄMNING	BEZEICHNUNG
1	A33944	1	PUHALLIN	FAN, GRASS COLLECTOR	FLÄKT, GRASUPPSAMLAR	GEBLÄSE, MAHWERK
2	a21308	1	KERÄYSLAATIKKO	COLLECTOR BOX, MOWER	UPPSAMLARE, KLIPPAGG	AUFFANGBEHALTER, MAH
3	A49278	1	ILMANOHJAIN KP	AIR DEFLECTOR, MOWER	LUFTKANAL, KLIPPAGGR	LUFTLEITROHR, MAHWER
4	A49499	1	PUHALTIMEN LETKU, IM	HOSE, FAN, SUCTION	SLANG, FLÄKT, SUG	SCHLAUCH, GEBLÄSE, E
5	A49498	1	PUHALTIMEN LETKU, PA	HOSE, FAN, RETURN	SLANG, FLÄKT, RETUR	SCHLAUCH, GEBLÄSE, R
6	65093	2	LETKUNKIRISTIN 135-1	HOSE CLAMP, 135-155MM	SLANGKLÄMMARE, 135-1	SCHLAUCHKLEMME, 135-
7	65094	2	LETKUNKIRISTIN 155-1	HOSE CLAMP 155-175MM	SLANGKLÄMMARE 155-17	SCHLAUCHKLEMME 155-1
8	A410220	1	TARRA	DECAL LAWN MOWER COL	DEKAL UPPSAMLARE FRA	AUFKLEBER MAHWERK KO
9	A410222	1	TARRA	DECAL LAWN MOWER COL	DEKAL UPPSAMLARE KLI	AUFKLEBER MAHWERK KO
10	A410223	1	TARRA	DECAL LAWN MOWER COL	DEKAL UPPSAMLARE KLI	AUFKLEBER MAHWERK KO



**A21308 KERÄYSLAATIKKO**


NRO REF POS TER.	OSAN NRO PART NO BESTALL.NR BEST.NR	KPL QTY ST ST	NIMITYS	DESCRIPTION	BENÄMNING	BEZEICHNUNG
1	A49068	1	MUOVI, OIKEA	COVER PLATE, RIGHT	SKYDDSPÅT, HÖGER, U	VERKLEIDUNG RECHTS
2	A49069	1	MUOVI, VASEN	COVER PLATE, LEFT, C	SKYDDSPÅT, VÄNSTER, C	VERKLEIDUNG LINKS
3	A49070	1	MUOVI, OVI	COVER PLATE, LID, CO	SKYDDSPÅT, LOCK, UP	VERKLEIDUNG KLAPPE
4	A49177	1	POHJALEVY	BOTTOM PLATE, COLLEC	BOTTENPLÅT, UPPSAMLA	BODENPLATTE, AUFFANG
5	71685	5	ALUSLEVY M 8	WASHER M 8 DIN 440	BRICKA M 8 DIN 440	UNTERLEGSCHLEIBE M 8
6	64188	3	SORMIRUUVI RIHLATTU	FINGER SCREW R5026M8	FINGERSKRUV R5206M8S	FINGERSCHRAUBE R5026
7	A49232	1	YLÄLEVY	PLATE, UPPER, COLLEC	PLÅT, ÖVRE, UPPSAMLA	PLATTE, OBERE, AUFFA
8	73039	2	KUUSIORUUVI ZN	HEXAGONAL SCREW M 8	SEKKANTSKRUV M 8x16	SECHSKANTSCHRAUBE M
9	A49248	1	KATTOLEVY	ROOF PLATE, COLLECTO	TAKPLÅT, UPPSAMLARE	DACHPLATTE, AUFFANGB
10	A49403	1	KAHVÄLEVY	BRACKET, HANDLE, COL	FASTE, HANDTAG, UPPS	AUFNAHME, GRIFF, AUF
11	72320	13	KUUSIOMUTTERI ZN	NUT M8 NYLOC DIN 98	SEKKANTMUTTER M8 NY	SECHSKANTMUTTER M 8
12	73443	3	KUUSIORUUVI ZN	HEXAGONAL SCREW M8x3	SEKKANTSKRUV M8x35	SECHSKANTSCHRAUBE M8
13	65097	4	KUULAPESA NR 4594	BALL HOUSING, GAS SP	KULFATTNING, GASFJÄD	KUGEL, GASFEDER
14	65105	2	SARANA INDUSTRILAS	HINGE	GÄNGJÄRN	SCHARNIER
15	74462	8	KUUSIOKOLOUPPK.RUUVI	HEXAGON SOCKET COUNT	SEKKANTHÅLSKRUV FÖRS	INNEN-SECHSKANTSCHR
16	73122	10	ALUSLEVY M 8	WASHER M8 DIN 125 Z	BRICKA M8 DIN 125 Z	UNTERLEGSCHLEIBE M8 D
17	A49713	1	LUUKKU KP	LID, COLLECTOR BOX	LOCK, UPPSAMLARE	KLAPPE, AUFFANGBEHAL
18	A49715	1	SIVULEVY, OIKEA KP	SIDE PLATE, RIGHT, C	SIDOPLÅT, HÖGER, UPP	SEITENBLECH, RECHTS
19	A49717	1	SIVULEVY, VASEN KP	SIDE PLATE, LEFT, CO	SIDOPLÅT, VÄNSTER, U	SEITENBLECH, LINKS
20	A49718	1	TUKILEVY KP	SUPPORT PLATE, COLLE	STÖDPLÅT, UPPSAMLARE	STÜTZBLECH, AUFFANGB
21	65095	2	KAASUJOUSSI	GAS SPRING	GASFJÄDER	GASFEDER
22	65096	4	KUULAPAA NR 4610	BALL JOINT, GAS SPRI	GASFJÄDERFASTE	KUGELKOPF, GASFEDER
23	74768	65	ALUSLEVY MSS/NI M 6	WASHER MSS/NI M6	BRICKA MSS/NI M6	UNTERLEGSCHLEIBE MSS/
24	74785	65	UPPOK.RISTIURARUUVI	COUNTERS. CROSS HEAD	SÄNKT KRYSSHÅLSKRUV	KREUZ GESENKT. KOPF
25	72318	65	KUUSIOMUTTERI	HEXAGONAL NUT M6 N	SEKKANTMUTTER M6 NY	SECHSKANTMUTTER M 6

**A49278 ILMANOHJAIN KP**


NRO REF POS TEIL	OSAN NRO PART NO BESTÄLLNR BEST.NR	KPL QTY ST BT	NIMITYS	DESCRIPTION	BENÄMNING	BEZEICHNUNG
1	A33946	1	ILMANOHJAIN HITS	AIR DEFLECTOR, COLLE	LUFTKANAL, UPPSAMLAR	LUFTLEITROHR, AUFFAN
2	A49284	1	NIVELLEUVY	PIVOT PLATE	PLÄT	SCHEIBE
3	A49288	1	KESKITIN LEVY	CENTERING PLATE	CENTRERINGSPLÄT	STANGE, ZENTRIERUNG,
4	72320	6	KUUSIOMUTTERI ZN	NUT M8 NYLOC DIN 98	SEKKANTMUTTER M8 NY	SECHSKANTMUTTER M 8
5	72130	6	KUUSIDRUUVI ZN	HEX. SCREW M8x20	SEKKANTSKRUV M8x20 D	SECHSKANTSCHRAUBE M