

# AVANT

## Lawn mower 1200

### Parts list



**A21046 Mower 1200 mm / 500 Series**  
**A21127 Mower 1200 mm / 200 Series**

**Manufacturer:**

**AVANT**

AVANT TECNO OY

Ylötie 1

FIN-33470 YLÖJÄRVI

FINLAND

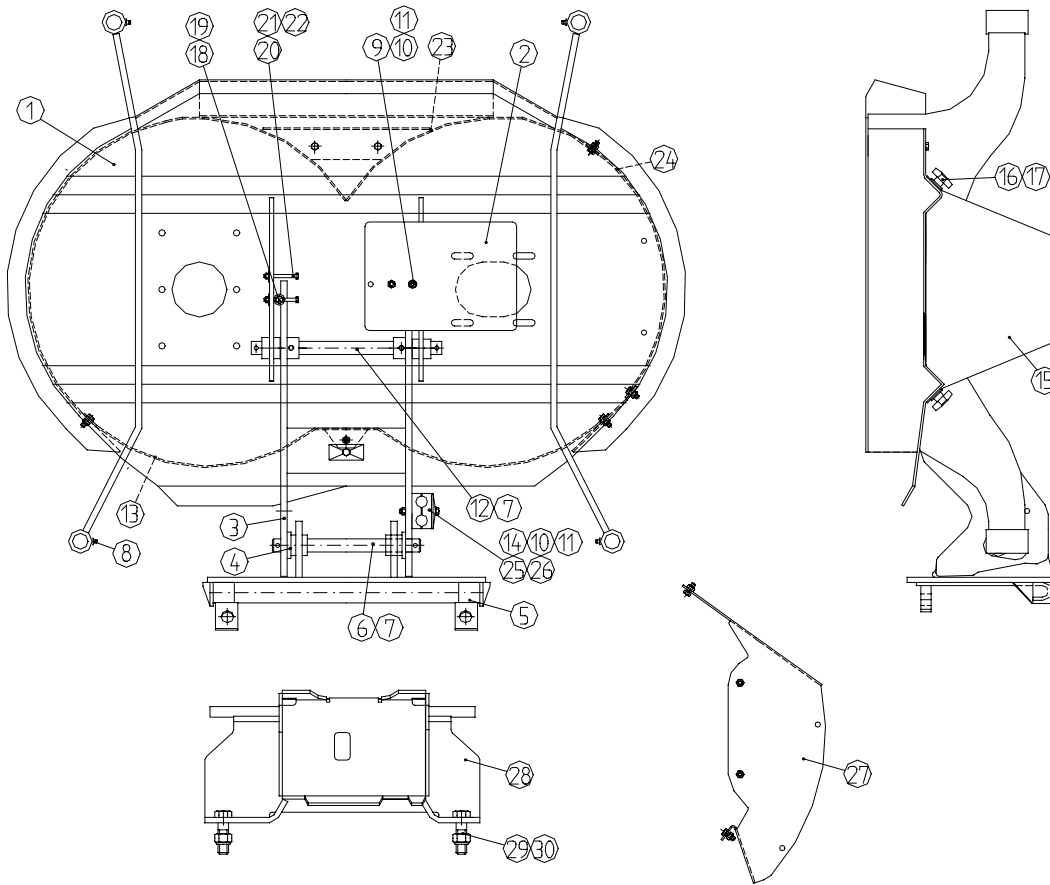
Tel. +358 3 347 8800

Fax. +358 3 348 5511

E-mail [sales@avanttecno.com](mailto:sales@avanttecno.com)

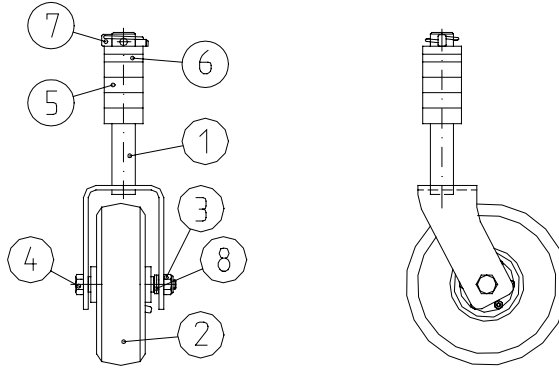
Web [www.avanttecno.com](http://www.avanttecno.com)

## FRAME AND ATTACHMENT BRACKET



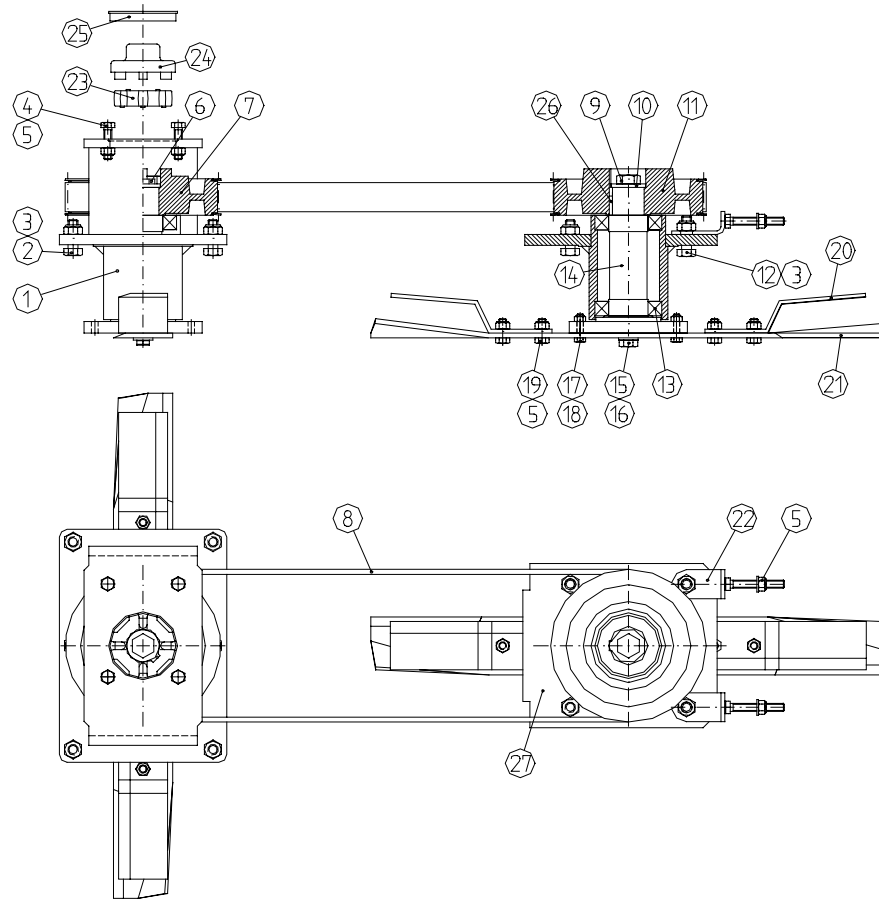
1	A21121	1	FRAME
2	A46547	1	COVER PLATE, HOSES
3	A33206	1	MOUNTING FRAME
4	A46019	2	BUSHING
5	A33207	1	BRACKET, ATTACHMENT COUPLING PLATE
6	A46566	1	PIN
7	71774	4	SPRING SPLINT 8*40 DIN 1481
8	72798	6	GREASE NIPPLE R1/8 STRAIGHT DIN 71412
9	72132	2	HEXAGONAL SCREW M8*25 DIN 933 ZN
10	72320	4	HEXAGONAL NUT M8 DIN 985
11	73122	4	WASHER M8 DIN 125 ZN
12	A46567	1	PIN
13	A33210	1	PLATE, REAR
14	72141	2	HEXAGONAL SCREW M8*70 DIN 931 ZN
15	A33211	1	COVER PLATE
16	64355	4	FINGER SCREW, STAR, M8
17	71685	4	WASHER M8 DIN 440 ZN
18	74138	1	HEXAGONAL SCREW M8*55 DIN 933 ZN
19	72319	1	HEXAGONAL NUT M8 DIN 934 ZN
20	72125	3	HEXAGONAL SCREW M6*60 DIN931 ZN
21	72318	3	HEXAGONAL NUT M6 DIN 985
22	71681	3	WASHER M6 DIN 440 ZN KORU
23	A46823	1	FRONT PLATES
24	A46824	1	BLOCKING PLATE
25	64890	2	COVER PLATE, PIPE CLAMP F22
26	64889	2	PIPE CLAMP, DOUBLE F22
27	A46826	1	PLATE, SIDE EJECTION
28	A33126	1	ADAPTER, 200 SERIES
29	72229	2	HEXAGONAL SCREW M20*70 DIN 931 ZN
30	72335	2	HEXAGONAL NUT M20 DIN 985

## SUPPORT WHEEL A46576



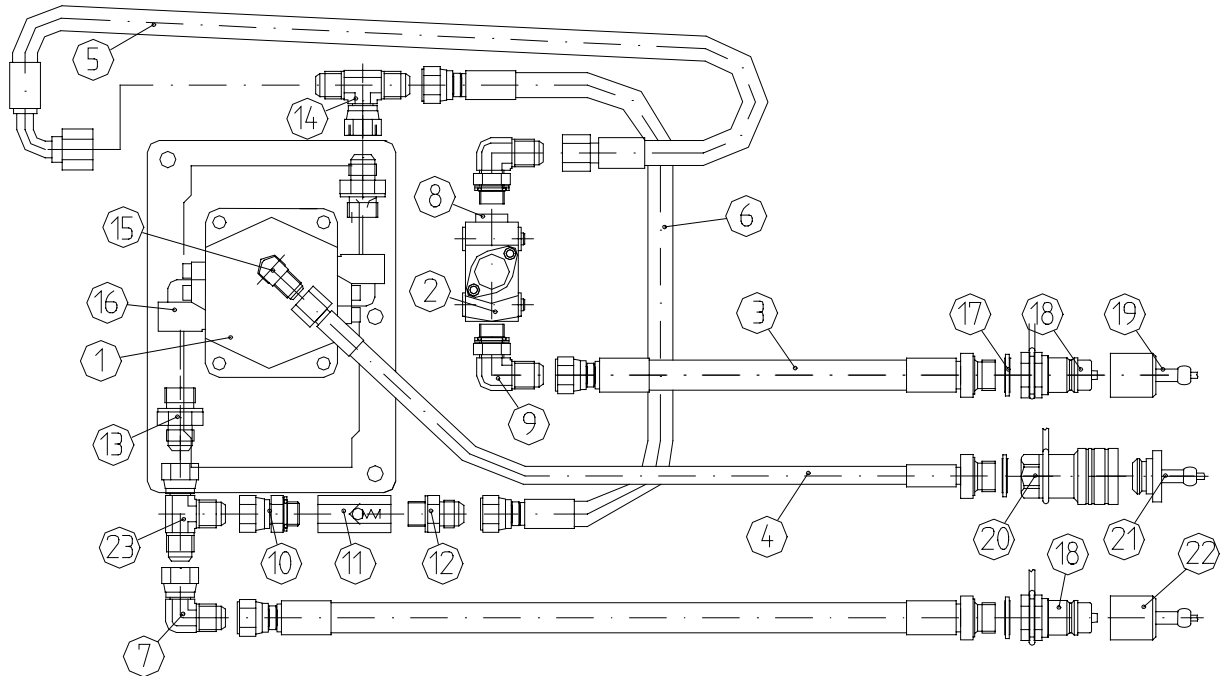
Pos.	Part no.	Pcs	Designation
1	A46574	1	YOKE, SUPPORT WHEEL
2	A46561	1	WHEEL 250-3
3	72324	1	HEXAGONAL NUT M12 DIN 985
4	73573	1	HEXAGONAL SCREW M12*120 ZN DIN 933
5	A44665	4	ADJUSTING RING, PLASTIC, 20 MM
6	A44664	2	ADJUSTING RING, PLASTIC, 10 MM
7	71727	1	RING SPLINT 9,5 MM ZN
8	7169	2	WASHER M12 ZN DIN 125

## TRANSMISSION



Pos.	Part no.	Pcs	Designation
1	A46592	1	BRACKET, BEARINGS, LEFT
2	72151	8	HEXAGONAL SCREW M10*30 DIN 933 ZN
3	72322	10	HEXAGONAL NUT M10 DIN 985 NYLOC
4	73443	4	HEXAGONAL SCREW M8*35 DIN 933 ZN
5	72320	14	HEXAGONAL NUT M8 DIN 985 NYLOC
6	A46608	1	BOLT
7	A46597	1	BELT PULLEY, LEFT
8	64877	1	COGGED BELT
9	72183	1	HEXAGONAL SCREW M14*25 DIN 933 ZN
10	A46595	2	WASHER
11	A46598	1	BELT PULLEY, RIGHT
12	74505	2	HEXAGONAL SCREW M10*35 DIN 933 ZN
13	64038	4	BEARING 6008 2RS
14	A33099	2	SHAFT
15	73041	2	HEXAGONAL SCREW M12*25 DIN 933 ZN
16	71691	2	WASHER M12 DIN 125 ZN
17	72119	4	HEXAGONAL SCREW M6*25 DIN 933 ZN
18	72318	4	HEXAGONAL NUT M6 DIN 985 NYLOC
19	72130	8	HEXAGONAL SCREW M8*20 DIN 933 ZN
20	A46612	4	BLADE, UPPER, L=177
21	A33205	2	BLADE, L=615
22	A46828	2	TIGHTENER
23	64299	1	RUBBER RING, COUPLING
24	64301	1	COUPLING
25	A46596	1	RING
26	A46582	2	KEY
27	A46564	1	BRACKET, BEARINGS, RIGHT

## HYDRAULIC HOSES AND MOTOR



Pos.	Part no.	Pcs	Designation
1	64876	1	HYDRAULIC MOTOR PLM 20.11,2
2	64761	1	SHUT-OFF VALVE DF5/3A 17C-BSP3/8
3	A47267	2	HYDRAULIC HOSE L=2380 2LW-06
4	A47268	1	HYDRAULIC HOSE L=2380 1LW-04
5	A44336	1	HYDRAULIC HOSE L=360 2LW-06
6	A44024	1	HYDRAULIC HOSE L=340 2LW-06
7	64134	1	ELBOW FITTING UNF3/4 SK-UNF3/4 UK
8	74411	1	HEXAGONAL PLUG R3/8
9	64068	2	ELBOW FITTING R3/8 UK-UNF3/4 UK
10	64082	1	CONNECTOR NIPPLE R3/8 UK-UNF3/4 SK
11	64065	1	CHECK VALVE VUC 20
12	64042	1	BASIC FITTING R3/8 UK-UNF3/4 UK
13	64058	2	BASIC FITTING R1/2 UK-UNF3/4 UK
14	64307	1	T FITTING BODY UNF3/4 SK-2*UNF3/4 UK
15	64087	1	ELBOW FITTING R1/4 UK-UNF9/16 UK
16	64067	2	PRESSURE FLANGE 1G12
17	73047	3	USIT SEAL R1/2
18	64563	2	QUICK COUPLER NIPPLE R1/2 SK FLAT FACE, 200 SERIES
18	73409	2	QUICK COUPLER NIPPLE R1/2 SK, 500 SERIES
19	64811	1	COVER, QUICK COUPLER, RED, 200 SERIES
19	64878	1	COVER, QUICK COUPLER, BLUE, 500 SERIES
20	64564	1	QUICK COUPLER, FEMALE, R1/2 SK FLAT FACE, 200 SERIES
20	73457	1	QUICK COUPLER, FEMALE, R1/2 SK, 500 SERIES
21	64568	1	COVER, QUICK COUPLER, BLACK, 200 SERIES
21	73754	1	COVER, QUICK COUPLER, BLACK, 500 SERIES
22	64567	1	COVER, QUICK COUPLER, BLACK, 200 SERIES
22	73753	1	COVER, QUICK COUPLER, BLACK, 500 SERIES
23	64050	1	L FITTING BODY UNF3/4 SK-2*UNF3/4 UK
24	A33107	1	PROTECTION SPIRAL, HOSE, PLASTIC SP-032 O.5M