

# AVANT

## Lawn mower

A2955, A2625

## Spare parts list



**Manufacturer:**

**AVANT**

AVANT TECNO OY

Ylötie 1

FIN-33470 YLÖJÄRVI

FINLAND

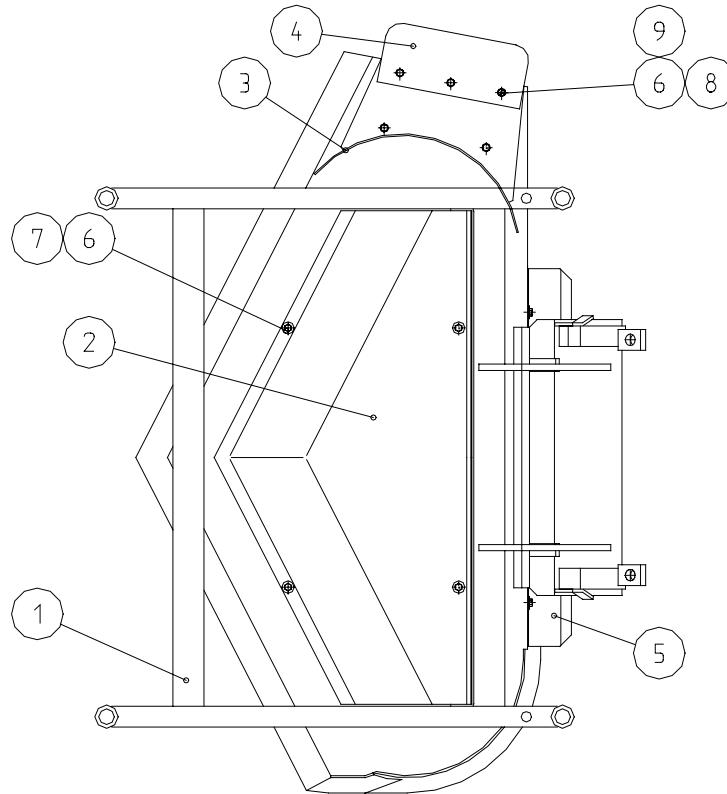
Tel. +358 3 347 8800

Fax. +358 3 348 5511

E-mail [sales@avanttecono.com](mailto:sales@avanttecono.com)

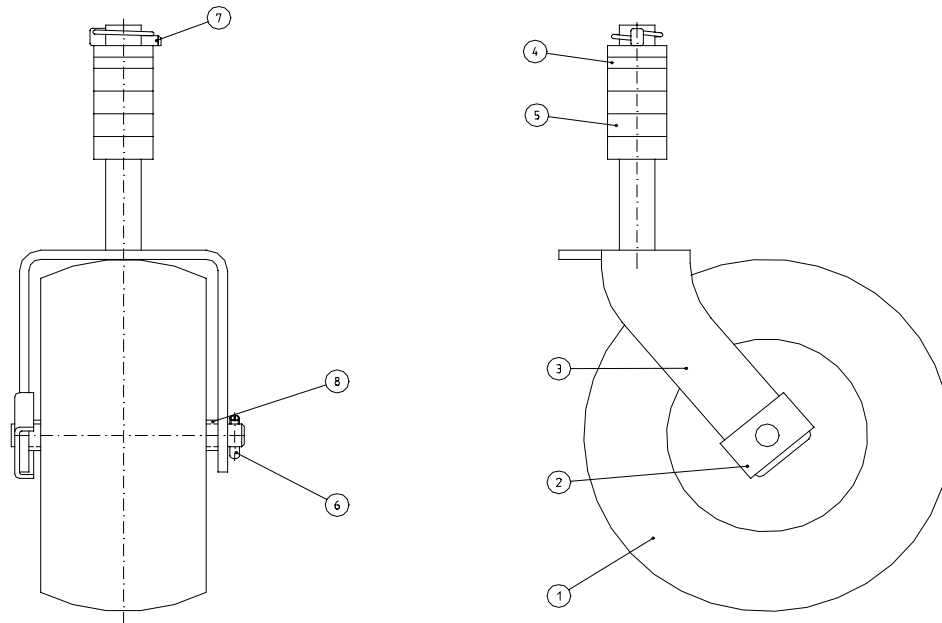
Web [www.avanttecono.com](http://www.avanttecono.com)

## FRAME AND COVER PLATES



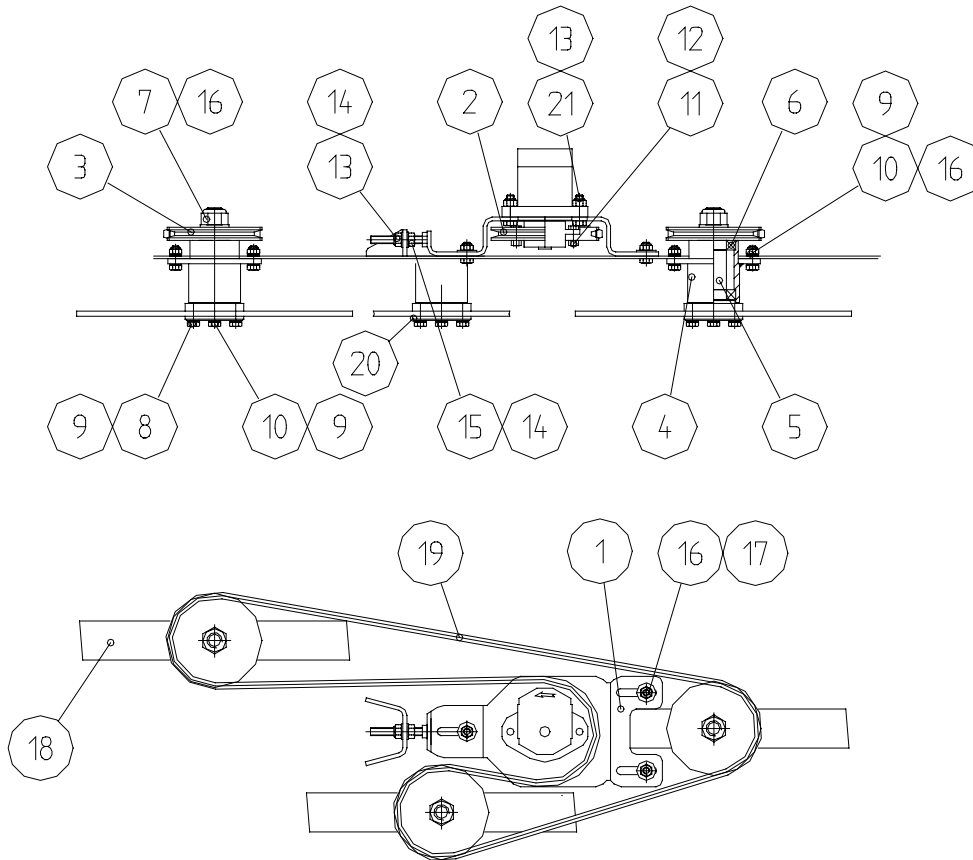
1	A32637	1	FRAME	
2	A43488	1	COVER PLATE, V BELT	
3	A32638	1	GUIDING PLATE	
4	A45368	1	PLATE	
5	A43514	1	PLATE, REAR	
6	72132	14	HEXAGONAL SCREW	M8* 25 DIN 933 ZN
7	71685	4	WASHER M8	R9 DIN 440 ZN KORI
8	72320	10	HEXAGONAL NUT	M8 DIN 985 ZNNYLOC
9	73122	20	WASHER M8	A8,4 DIN 125 ZN

## SUPPORT WHEEL A2870



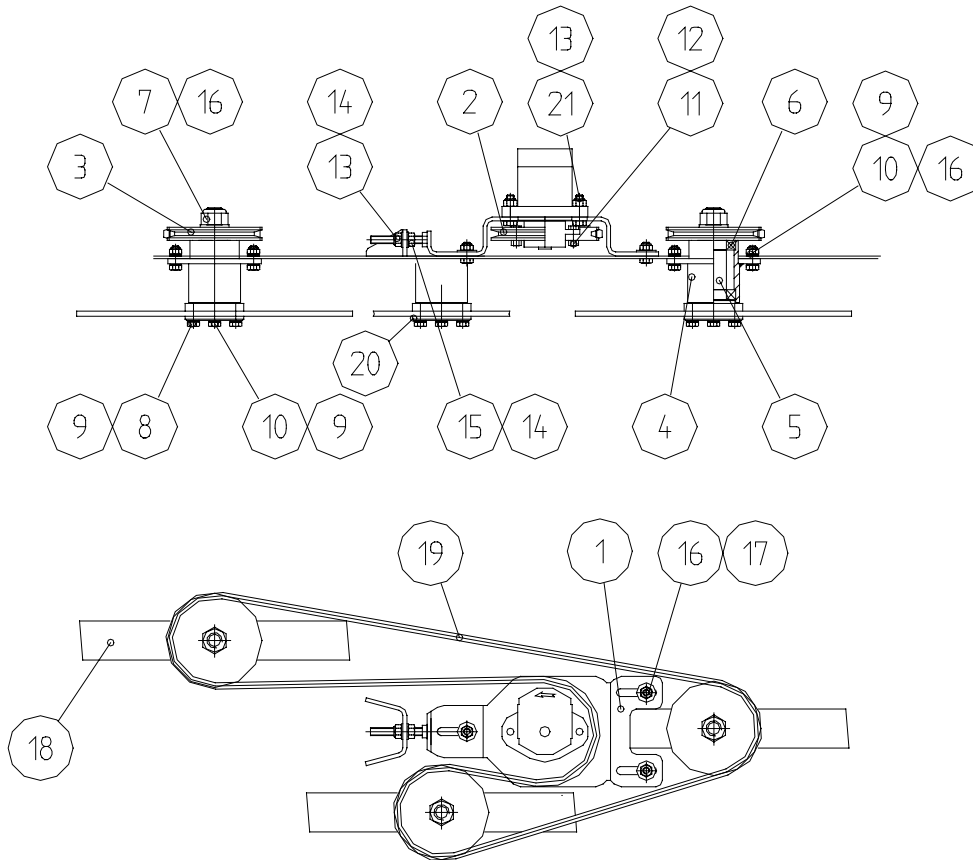
1	64163	1	WHEEL, GRASS PROFILE LP 140-6/6 PR T-539
2	A44802	1	AXLE, SUPPORT WHEEL
3	A32429	1	YOKE, SUPPORT WHEEL
4	A44664	2	ADJUSTING RING, PLASTIC, 10 MM
5	A44665	4	ADJUSTING RING, PLASTIC, 20 MM
6	71774	1	SPRING SPLINT 8* 40 DIN 1481
7	71727	1	RING SPLINT 9,5 MM ZN
8	A44807	2	BUSHING

## TRANSMISSION, LAWN MOWER A2955 (13 HP AND 14 HP MODELS)

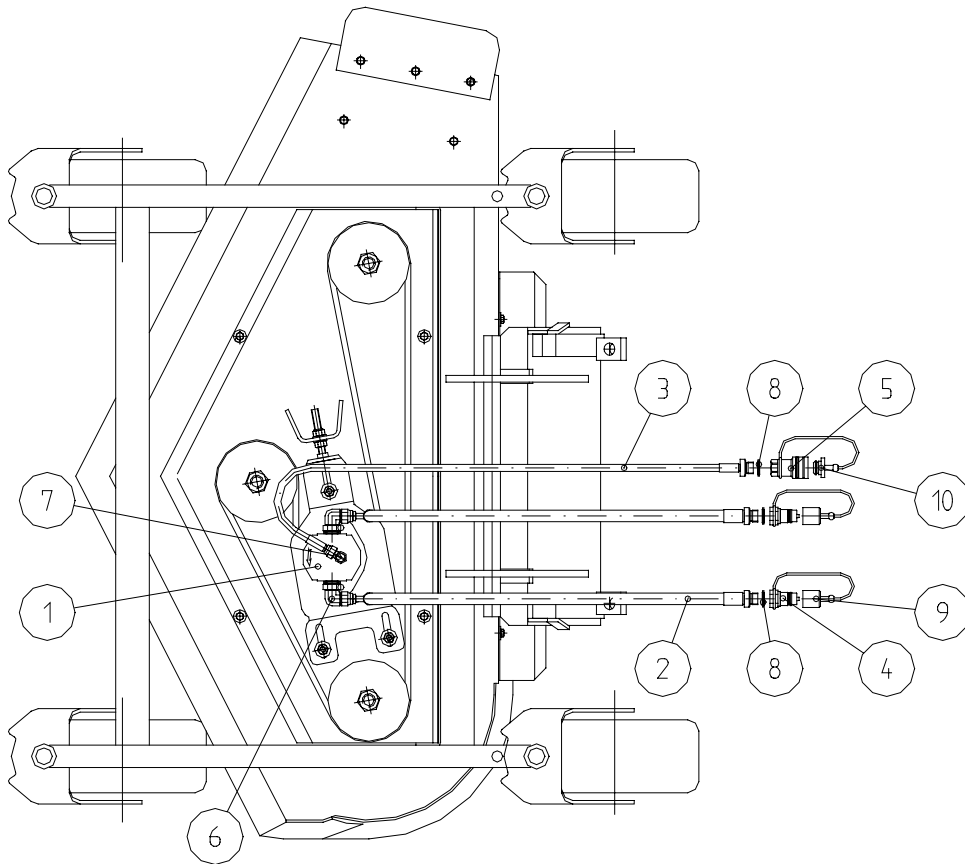


1	A45369	1	CARRIER
2	A32639	1	V BELT PULLEY D160
3	A32641	3	V BELT PULLEY D112
4	A32643	3	TUBE
5	A32644	3	AXLE
6	64038	6	ROLLER BEARING 6008 2RS
7	74541	3	HEXAGONAL NUT M24*1.5 DIN 985 ZN
8	73040	6	HEXAGONAL SCREW M10*20 DIN 933 ZN
9	74531	33	WASHER M10 NORDLOCK, PAIR
10	72151	15	HEXAGONAL SCREW M10*30 DIN 933 ZN
11	72133	2	HEXAGONAL SCREW M8*30 DIN 933 ZN
12	72320	2	HEXAGONAL NUT M8 DIN 985
13	72324	3	HEXAGONAL NUT M12 DIN 985
14	71691	2	WASHER M12 DIN 125 ZN
15	72323	1	HEXAGONAL NUT M12 DIN 934 ZN
16	72322	15	HEXAGONAL NUT M10 DIN 985 ZN
17	73018	3	WASHER M10 DIN 440 ZN KORI
18	A44439	3	BLADE, 40*60*420
19	64613	1	V BELT AA-2667 , L=2667 MM
20	A45370	3	MOUNTING FLANGE
21	73322	2	HEXAGONAL SCREW M12*40 DIN 931 ZN

## TRANSMISSION, LAWN MOWER A2625 (20 HP AND 28 HP MODELS)



1	A45369	1	CARRIER
2	A32640	1	V BELT PULLEY D140
3	A32641	3	V BELT PULLEY D140
4	A32643	3	TUBE
5	A32644	3	AXLE
6	64038	6	ROLLER BEARING 6008 2RS
7	74541	3	HEXAGONAL NUT M24*1.5 DIN 985 ZN
8	73040	6	HEXAGONAL SCREW M10*20 DIN 933 ZN
9	74531	33	WASHER M10 NORDLOCK, PAIR
10	72151	15	HEXAGONAL SCREW M10*30 DIN 933 ZN
11	72133	2	HEXAGONAL SCREW M8*30 DIN 933 ZN
12	72320	2	HEXAGONAL NUT M8 DIN 985
13	72324	3	HEXAGONAL NUT M12 DIN 985
14	71691	2	WASHER M12 DIN 125 ZN
15	72323	1	HEXAGONAL NUT M12 DIN 934 ZN
16	72322	15	HEXAGONAL NUT M10 DIN 985 ZN
17	73018	3	WASHER M10 DIN 440 ZN KORI
18	A44439	3	BLADE, 40*60*420
19	64480	1	V BELT AA-2800 , L=2800 MM
20	A45370	3	MOUNTING FLANGE
21	73322	2	HEXAGONAL SCREW M12*40 DIN 931 ZN

**HYDRAULIC HOSES**

1	64425	1	HYDRAULIC MOTOR ROQUET 2ML16RT09R-HM2
2	A32454	2	HYDRAULIC HOSE L=1800 MM
3	A32267	1	HYDRAULIC HOSE L=2100 MM
4	73409	2	QUICK COUPLER 1/2" MALE
5	73457	1	QUICK COUPLER 1/2" FEMALE
6	64045	2	ELBOW FITTING 90°
7	64087	1	ELBOW FITTING 90°
8	73047	3	SEAL RING, USIT R1/2"
9	73753	2	COVER, 1/2" QUICK COUPLER MALE
10	73754	1	COVER, 1/2" QUICK COUPLER FEMALE