

AVANT

Lawn mower 1500 mm

A21019

Parts list



Manufacturer:

AVANT

AVANT TECNO OY

Ylötie 1

FIN-33470 YLÖJÄRVI

FINLAND

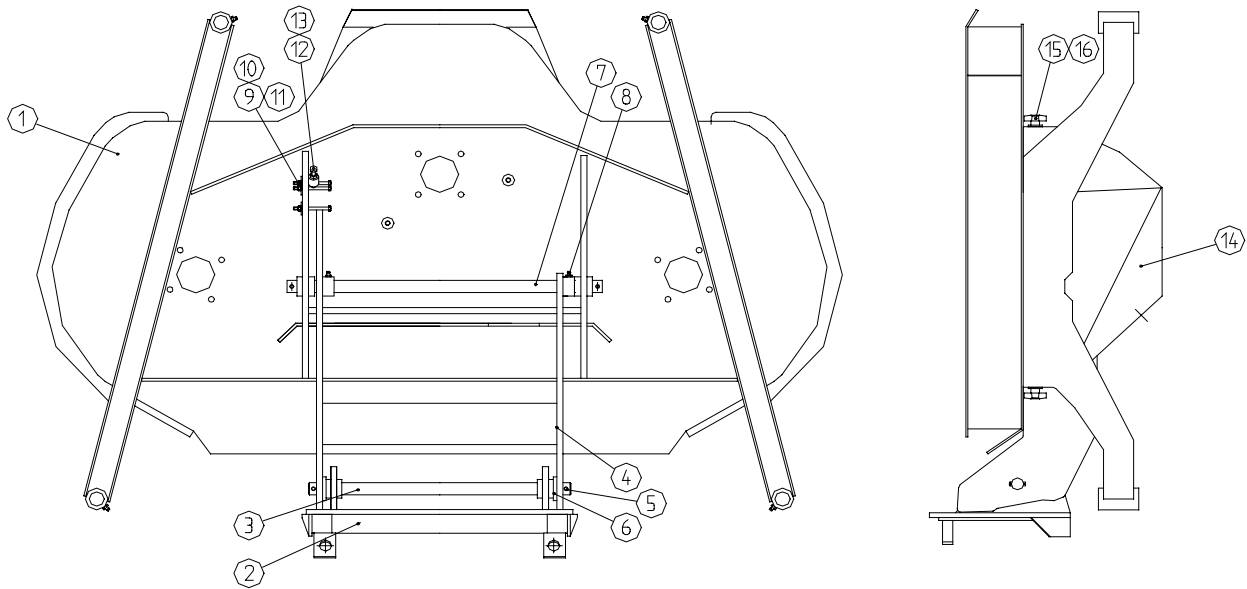
Tel. +358 3 347 8800

Fax. +358 3 348 5511

E-mail sales@avantteco.com

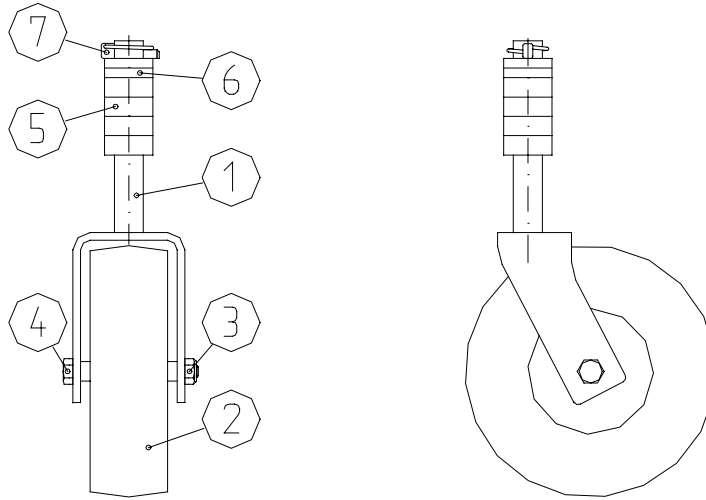
Web www.avantteco.com

FRAME AND ATTACHMENT BRACKET



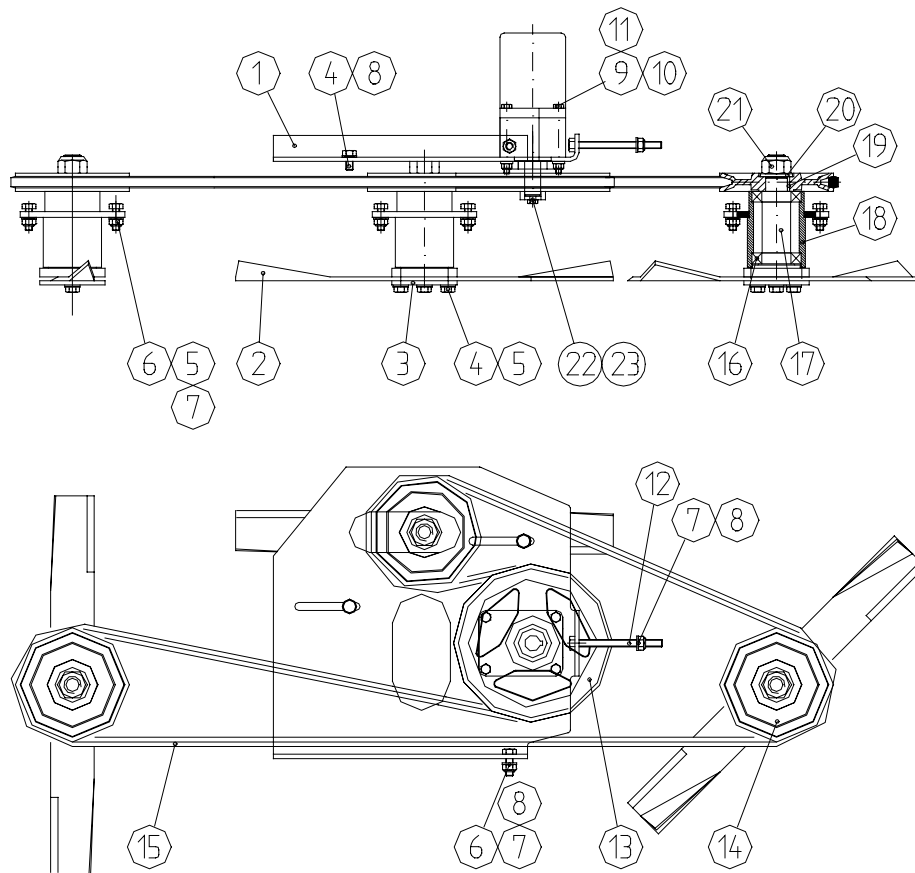
Pos.	Part no.	Pcs	Designation
1	A21051	1	FRAME
2	A32922	1	BRACKET, ATTACHMENT COUPLING PLATE
3	A45935	1	SHAFT
4	A32921	1	MIDDLE FRAME
5	A71773	4	SPRING SPLINT 8*32 DIN 1481
6	A46019	2	BUSHING
7	A45934	1	SHAFT
8	72798	6	GREASE NIPPLE R1/8 STRAIGHT DIN 71412
9	74499	3	HEXAGONAL SCREW M6*70 DIN 931 ZN
10	72318	3	HEXAGONAL NUT M6 DIN 985
11	71681	3	WASHER M6 DIN 440 ZN KORI
12	74138	1	HEXAGONAL SCREW M8*55 DIN 933 ZN
13	72319	1	HEXAGONAL NUT M8 DIN 934 ZN
14	A45572	1	COVER PLATE
15	64355	4	FINGER SCREW M8
16	71685	4	WASHER M8 DIN 440 ZN KORI

SUPPORT WHEEL A45931



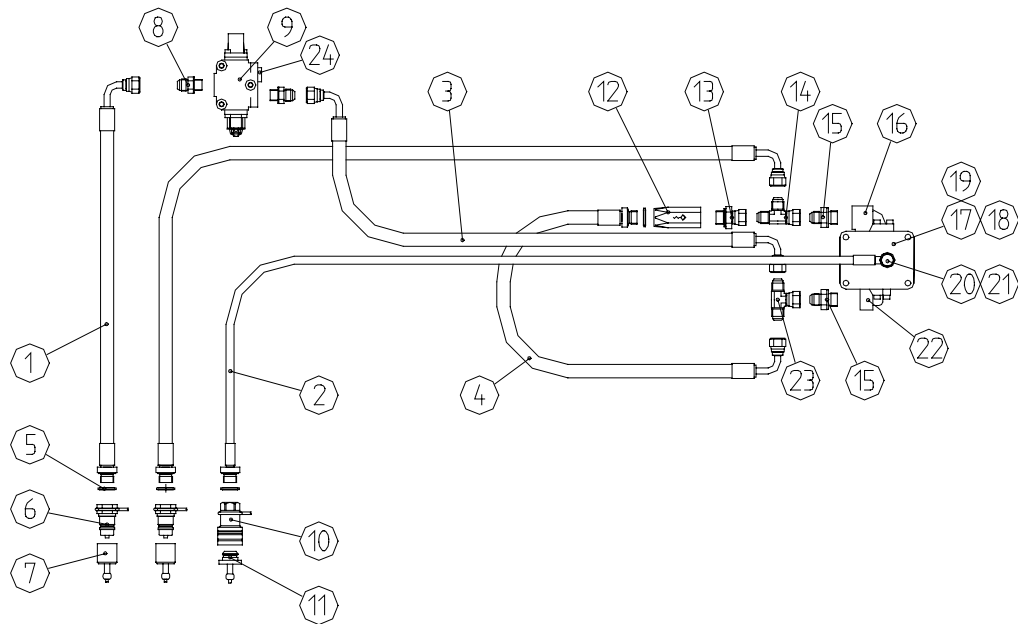
Pos.	Part no.	Pcs	Designation
1	A45929	1	YOKE, SUPPORT WHEEL
2	64762	1	WHEEL 3.00-4/6 PR
3	72324	1	HEXAGONAL NUT M12 DIN 985
4	74701	1	HEXAGONAL SCREW M12*130 ZN DIN 931
5	A44665	4	SPACER, PLASTIC, 20 MM
6	A44664	2	SPACER, PLASTIC, 10 MM
7	71727	1	RING SPLINT 9,5 MM ZN

BLADES, BELT AND BEARINGS



Pos.	Part no.	Pcs	Designation
1	A45439	1	RETAINING PLATE
2	A32699	3	BLADE
3	A45370	3	MOUNTING FLANGE
4	73040	11	HEXAGONAL SCREW M10*20 DIN 933 ZN
5	74531	21	WASHER, PAIR M10 NORDLOCK
6	72151	13	HEXAGONAL SCREW M10*30 DIN 933 ZN
7	72322	14	HEXAGONAL NUT M10 DIN 985 NYLOC
8	73121	4	WASHER M10 DIN 125 ZN
9	72144	4	HEXAGONAL SCREW M8*90 DIN 931
10	63944	4	WASHER, PAIR M8 NORDLOCK
11	72320	4	HEXAGONAL NUT M8 DIN 985 NYLOC
12	74735	1	HEXAGONAL SCREW M10*120 DIN 933 ZN
13	A32924	1	V BELT PULLEY SPB 212
14	A32923	3	V BELT PULLEY SPB 150
15	64799	1	V BELT HBB 3390
16	64038	6	BEARING 6008 2RS
17	A32644	3	SHAFT
18	A32643	3	FRAME, SHAFT
19	A45595	3	KEY
20	71704	3	WASHER M24 DIN 125 ZN
21	74541	3	HEXAGONAL NUT M24*1.5 DIN 985 NYLOC
22	A46037	1	WASHER
23	73039	1	HEXAGONAL SCREW M8*16 DIN 933 ZN

HYDRAULIC MOTOR & HOSES



Pos.	Part no.	Pcs	Designation
1	A45618	2	HYDRAULIC HOSE L=2100 2LW-08
2	A46366	1	HYDRAULIC HOSE L=2000 1LW-04
3	A46365	1	HYDRAULIC HOSE L=500 2LW-08
4	A46364	1	HYDRAULIC HOSE L=500 2LW-08
5	73047	4	USIT SEAL R1/2
6	73409	2	QUICK COUPLER 1/2" MALE
7	73753	2	COVER, RUBBER, 1/2", QUICK COUPLER
8	64042	2	BASIC FITTING R3/8 UK-UNF3/4 JIC UK
9	64761	1	VALVE
10	73457	1	QUICK COUPLER, 1/2" FEMALE
11	73754	1	RUBBER PLUG, 1/2", QUICK COUPLER
12	64370	1	CHECK VALVE VUC40
13	64047	1	CONNECTOR NIPPLE R1/2 UK-UNF3/4 SK
14	64050	1	L FITTING BODY UNF3/4 JIC SK-2*3/4 JIC UK
15	64058	2	BASIC FITTING R1/2 UK-UNF3/4 UK
16	64767	1	PRESSURE FLANGE 2GB12
17	64789	1	HYDRAULIC MOTOR PLP20.20.RO
18	64970	1	COUPLING MO 2/15
19	64860	1	BEARING
20	64557	1	BANJO CONNECTOR R1/4
21	73757	2	USIT SEAL R1/4
22	64067	1	PRESSURE FLANGE 1G12
23	64307	1	T FITTING BODY UNF3/4JIC SK-2*UNF3/4JIC UK
24	74411	1	PLUG R3/4
25	A33197	1	HOSE COVER SP-032 1.3M