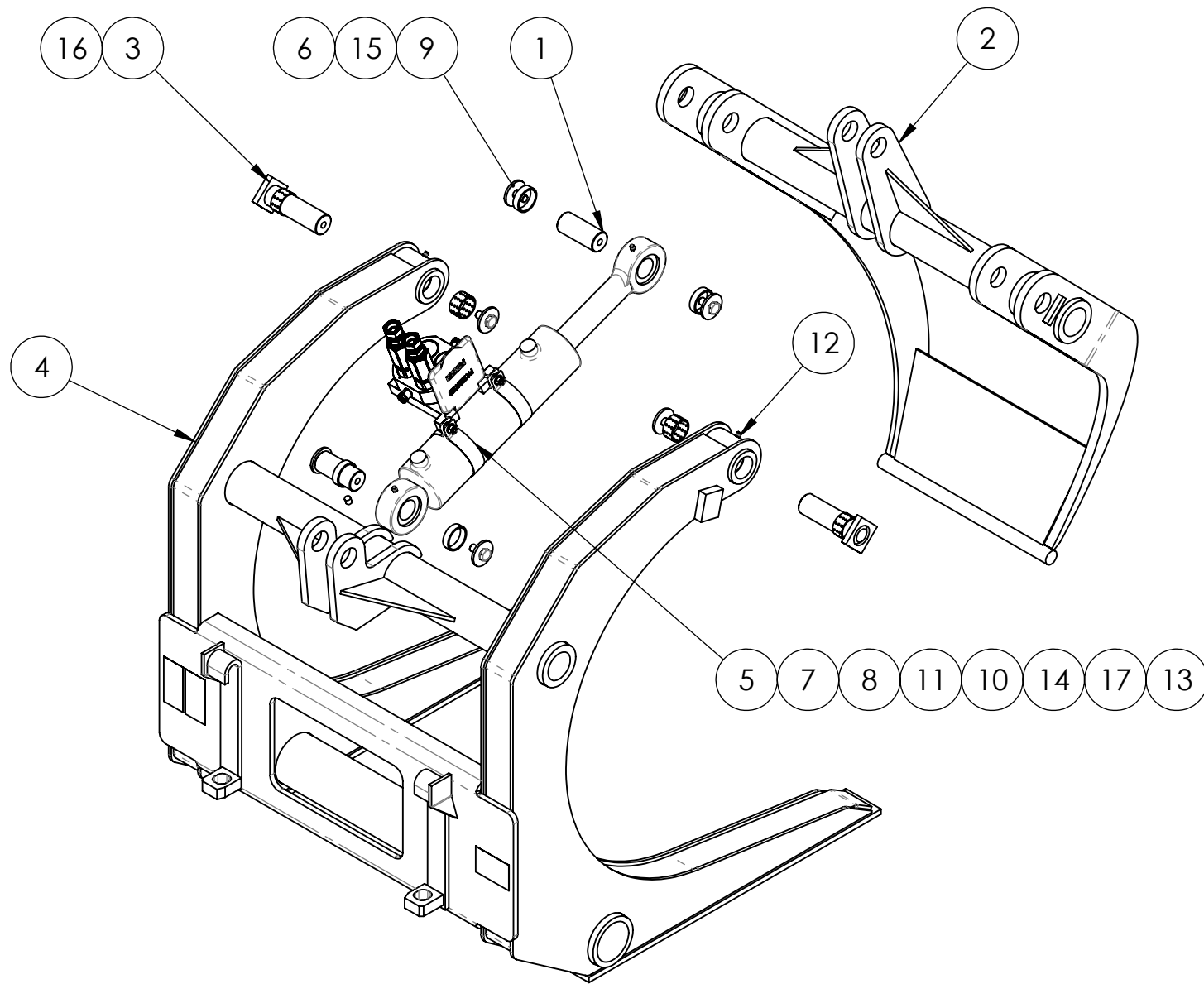


18	353.900	Hydraulic kit	1	
17	-	Hydraulic cylinder S80/40-220	1	Lmin=435 mm
16	-	Plain bearing	4	BRM80 TFP3520
15	-	Hexagon head bolt (fine thread)	6	DIN 961 - M12 x 1,25 x 25 - Zn
14	65594	Multi connector parking	1	Multifaster 65594
13	65251	Multi connector (pressure-return)	1	Multifaster 65251
12	207A0101	Grease nipple	2	DIN 7142 - M6
11	204A1605	Nut	2	DIN 985 (Nylock) M8 - Zn
10	204A0903	Nut	2	DIN 934 - M8 - Zn
9	203A0905	Washer	6	DIN 440 - M12 - Zn
8	203A0205	Washer	2	DIN 125 - M8 - Zn
7	201A1501	Socket head cap screw	2	DIN 912 - M8x25
6	353.441	Bushing	4	Ø42,4x2,6
5	353.440	Clamp	2	
4	353.400	Frame	1	
3	1170.03.00.00	Pin	2	Ø35 h10
2	1170.02.00.00	Grabber arm	1	
1	1170.00.00.01	Pin	2	Ø35 h10
Pos.	Dwg. No.	Part Name	Quantity	Notes

29.05.2014

Puuhaarats
Log grab

A415691



SAMI

29.05.2014

Puuhaarats
Log grab

A415691