

AVANT

Mini Digger

A33153

A32393

A32394

Parts list



Manufacturer:

AVANT

AVANT TECNO OY

Ylötie 1

FIN-33470 YLÖJÄRVI

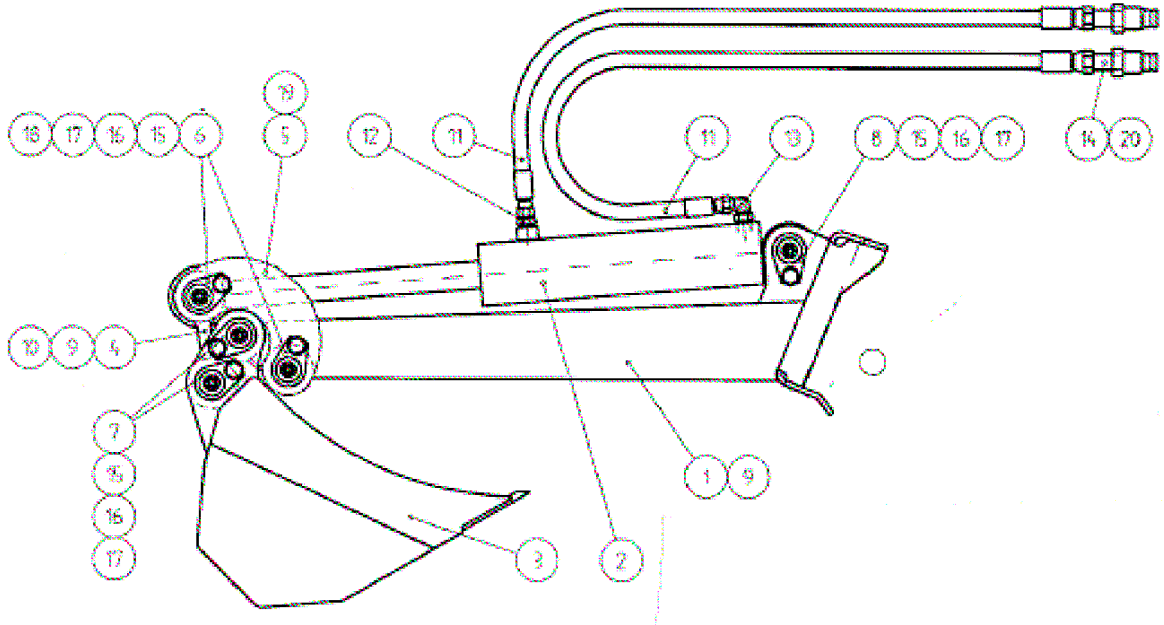
FINLAND

Tel. +358 (0)3 347 8800

Fax. +358 (0)3 348 5511

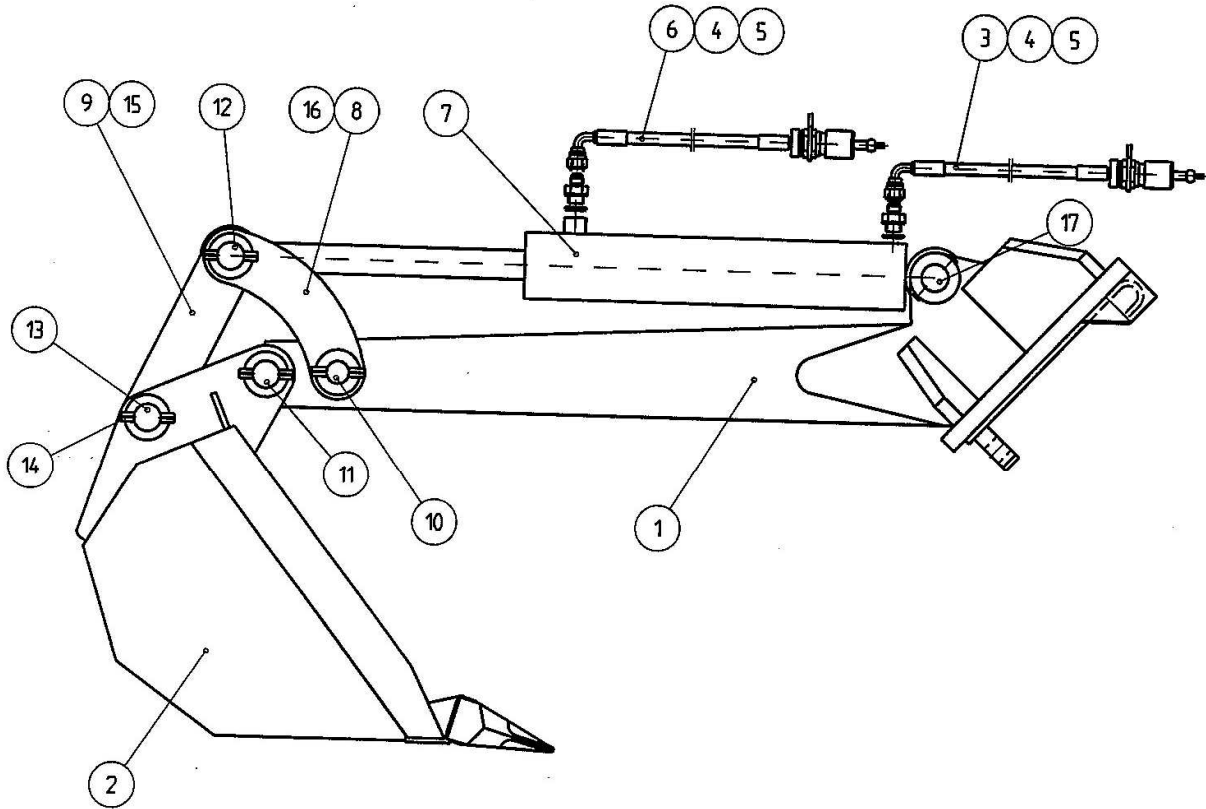
Web www.avanttecno.com

PARTS LIST, AVANT MINI DIGGER A33153 / 200 SERIES



Pos.	Part no.	Designation	PCS
1	A32969	Arm	1
2	A46500	Hydraulic cylinder F63/F32-195	1
3	A32968	Bucket 250 mm	1
4	A46110	Linkage piece	1
5	A46106	Linkage piece, bucket	2
6	A46498	Pivot pin L=138	2
7	A46499	Pivot pin L=125	2
8	A43565	Pivot pin L=83	1
9	64586	Slide bearing BRM-80 TFP-3040	6
10	64823	Slide bearing BRM-80 TFP-303	2
11	A46501	Hydraulic hose 2LW-06 L=850	2
12	64041	Basic fitting F40XS10-3/8	1
13	64044	Elbow fitting 90° C40XS10-3/8	1
14	64565	Quick coupling 1/2" flat face	2
15	72798	Grease nipple R1/8" straight DIN 71412	5
16	72147	Hexagonal screw M10*16 DIN 933	5
17	74531	Washer M10 , pair, Nordlock	5
18	71777	Spring cotter 8*60 DIN 1481	2
19	A46606	Linkage piece 2	1
20	64567	Cover, rubber, flat face coupling	2

PARTS LIST, AVANT MINI DIGGER 140
A32393 MINI DIGGER 140, WITH 250 MM BUCKET
A32394 MINI DIGGER 140, WITH 400 MM BUCKET



Pos.	Part no.	Designation	PCS
1	A32392	Arm	1
2	A1173 A1180	Bucket 400 mm with teeth (mini digger 140 A32394) Bucket 250 mm with teeth (mini digger 140 A32393)	1 1
3	A32275	Hydraulic hose L=1650	1
4	64041	Basic fitting F40XS10-3/8	2
5	73379	Seal USIT R3/8"	2
6	A32458	Hydraulic hose L=2050	1
7	A3920	Hydraulic cylinder F60/F32-300	1
8	A3968	Linkage piece, left	1
9	A3970	Linkage piece, bucket	1
10	A41731	Pivot pin 25*154	1
11	A41753	Pivot pin 30*171	1
12	A41730	Pivot pin 30*154	1
13	A41754	Pivot pin 25*168	1
14	71785	Spring cotter 10*60 DIN 1481	9
15	72798	Grease nipple R1/8" straight DIN 71412	1
16	A3969	Linkage piece, right	1
17	A41734	Pivot pin	1