

AVANT

Rotary brush 1150 mm / 200 Series A33030 Parts list



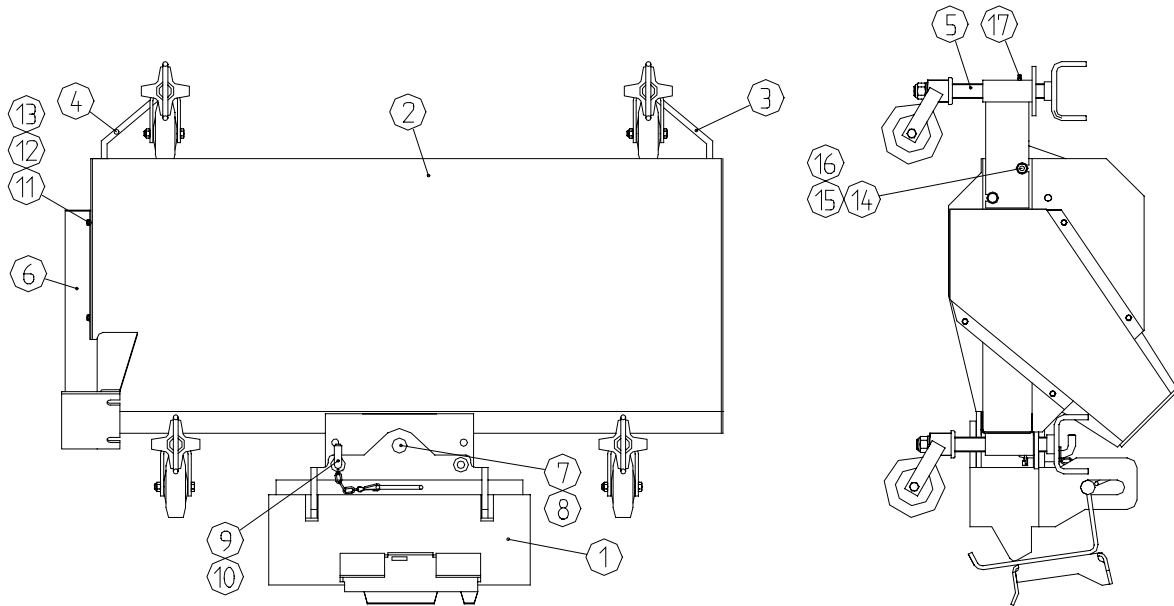
Manufacturer:

AVANT

AVANT TECNO OY
Ylötie 1
FIN-33470 YLÖJÄRVI
FINLAND

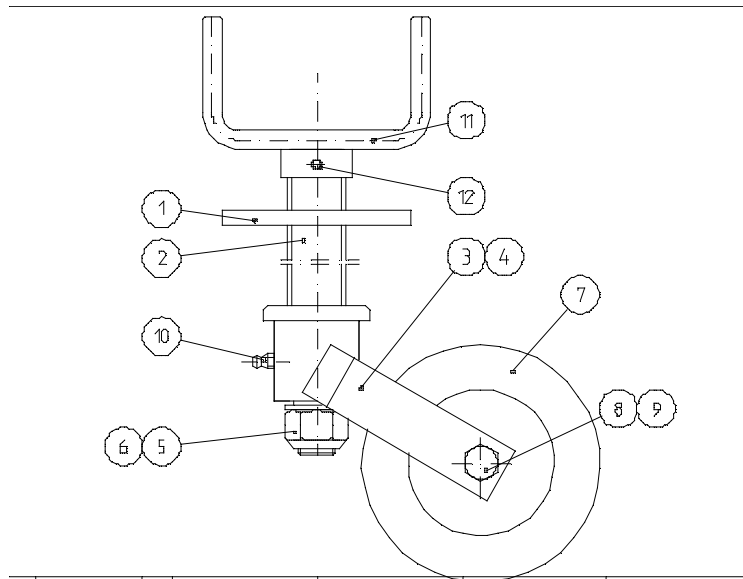
Tel. +358 (0)3 347 8800
Fax. +358 (0)3 348 5511
Web www.avanttecno.com

FRAME, MOUNTING BRACKET AND SUPPORT WHEEL



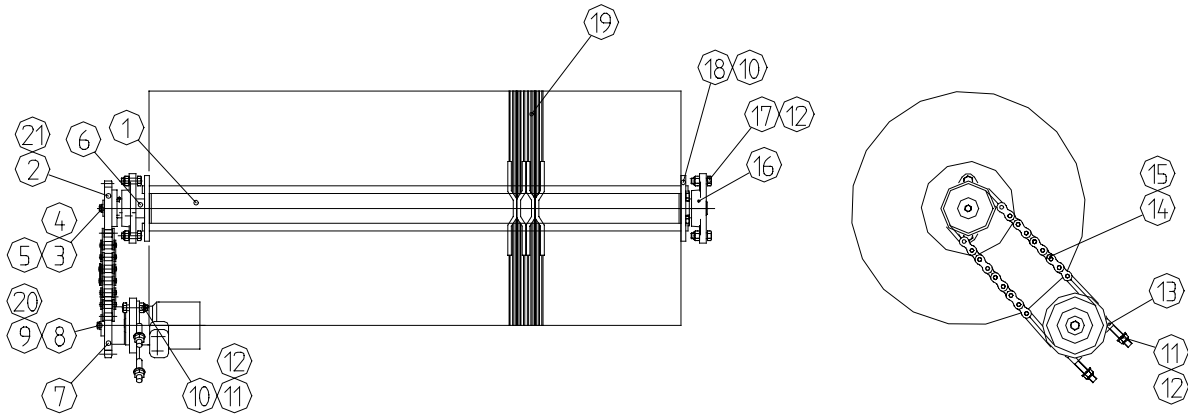
Pos.	Part no.	Pcs	Designation
1	A33070	1	MOUNTING BRACKET, ATTACHM. COUPLING PLATE
2	A21028	1	FRAME
3	A45597	1	BRACKET, SUPPORT WHEEL, RIGHT
4	A45603	1	BRACKET, SUPPORT WHEEL, LEFT
5	A45072	4	SUPPORT WHEEL
6	A32287	1	COVER PLATE, CHAIN
7	A45074	1	PIVOT PIN
8	71776	2	SPRING SPLINT 8*50 DIN 1481
9	A45073	1	PIN
10	71725	1	RING SPLINT 4.5 ZN
11	72117	4	HEXAGONAL SCREW M6*16 DIN 933 ZN
12	72318	4	HEXAGONAL NUT M6 DIN 985 NYLOC
13	74523	4	WASHER M6 DIN 125 ZN
14	73042	4	HEXAGONAL SCREW M12*35 DIN 933 ZN
15	72324	4	HEXAGONAL NUT M12 DIN 985 NYLOCK
16	71691	4	WASHER M12 DIN 125
17	72799	4	GREASE NIPPLE M6 STRAIGHT

SUPPORT WHEEL A45072



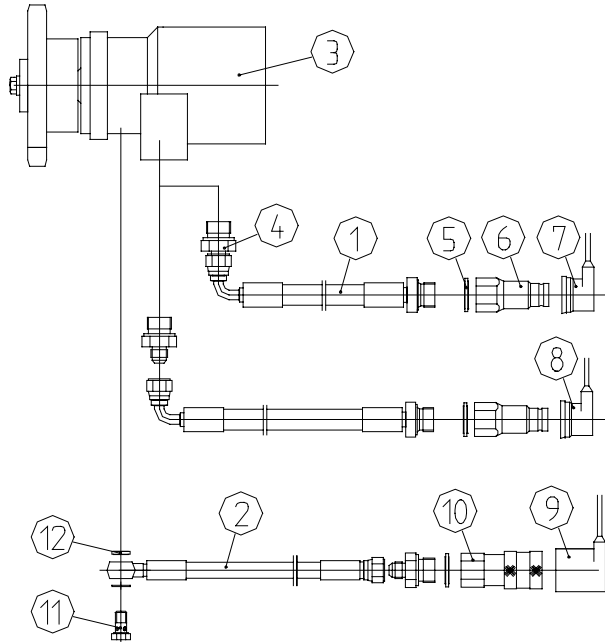
Pos.	Part no.	Pcs	Designation
1		1	LOCKING PLATE
2		1	SHAFT, THREADED
3		1	YOKE, WHEEL
4	64288	2	SLIDE BEARING GFM-2528-16
5	72335	1	HEXAGONAL NUT M20 DIN 985 NYLOC
6	73123	1	WASHER M20 A21 DIN 125
7	64139	1	WHEEL MANNER LI-125
8	74488	1	HEXAGONAL SCREW M10*70 DIN 931 ZN
9	72322	1	HEXAGONAL NUT M10 DIN 985 NYLOC
10	72799	1	GREASE NIPPLE M6 STRAIGHT
11		1	HANDLE
12	71766	1	SPRING SPLINT 5*40 DIN 1481

SHAFT WITH BRUSH SECTIONS



Pos.	Part no.	Pcs	Designation
1	A32477	1	SHAFT
2	A46389	1	SPROCKET 1" Z=13
3	72150	1	HEXAGONAL SCREW M10*25 DIN 933 ZN
4	73018	1	WASHER R11 DIN 440 ZN KORI
5	74531	1	WASHER, PAIR M10 NORDLOCK
6	A45076	1	BUSHING
7	A46388	1	SPROCKET 1" Z=15
8	72132	1	HEXAGONAL SCREW M8*25 DIN 933 ZN
9	63944	1	WASHER, PAIR, M8 NORDLOCK
10	72171	4	HEXAGONAL SCREW M12*45 DIN 933 ZN
11	71691	4	WASHER M12 DIN 125 ZN
12	72324	6	HEXAGONAL NUT M12 DIN 985 NYLOCK
13	A45596	1	TIGHTENER
14	63013	1	CHAIN 16B-1 1", 39 LINKS
15	73606	1	CHAIN CONNECTING LINK 16B-1 1" STRAIGHT
16	63378	2	BEARING UCFL 206
17	73042	4	HEXAGONAL SCREW M12*35 DIN 933 ZN
18	A45197	1	TIGHTENING FLANGE
19	64660	34	BRUSH SEGMENT, NYLON, BEELINE F500
20	A45075	1	WASHER
21	A45076	1	KEY 7*8 L=20

HYDRAULIC MOTOR AND HOSES



Pos.	Part no.	Pcs	Designation
1	A33073	2	HYDRAULIC HOSE L=1350
2	A46390	1	HYDRAULIC HOSE L=1450
3	64094	1	HYDRAULIC MOTOR AR160
4	64040	3	BASIC FITTING
5	73047	3	USIT SEAL R1/2"
6	64563	2	QUICK COUPLER, FLAT FACE FL3/8-R1/2 MALE
7	64567	1	COVER, RUBBER, BLACK, QUICK COUPLER
8	64811	1	COVER, RUBBER, RED, QUICK COUPLER
9	64568	1	PLUG, RUBBER, BLACK, QUICK COUPLER FEMALE
10	64564	1	QUICK COUPLER, FLAT FACE FL3/8-R1/2 FEMAL
11	64302	1	BANJO CONNECTOR M10*1
12	64158	2	USIT SEAL R1/8"