

AVANT

Snow brush 1050 mm

A21041 Snow brush for 500 and 600 series

A21123 Snow brush for 200 series

Parts list



Manufacturer:

AVANT

AVANT TECNO OY

Ylötie 1

FIN-33470 YLÖJÄRVI

FINLAND

Tel. +358 (0)3 347 8800

Fax. +358 (0)3 348 5511

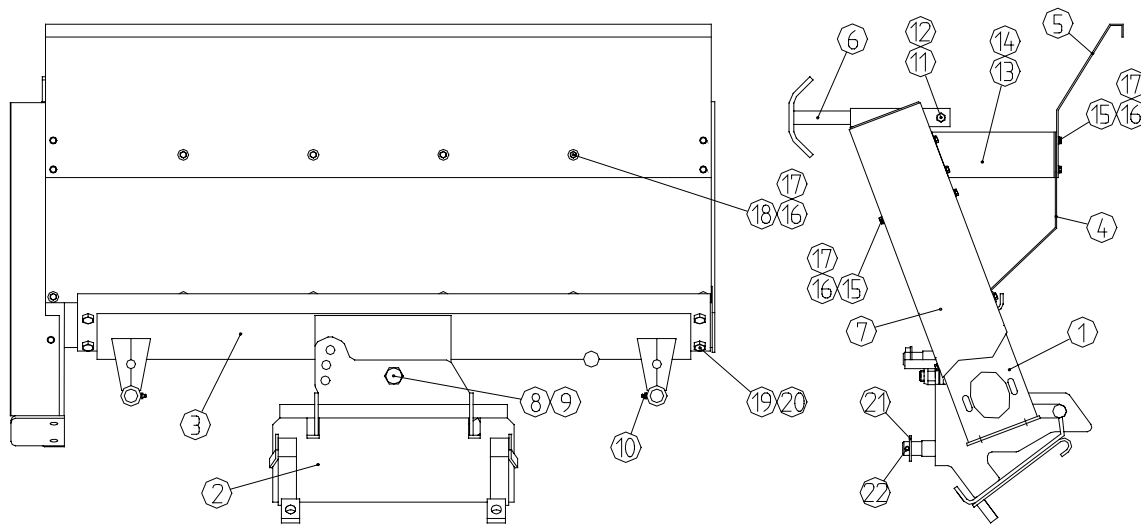
Web www.avanttecno.com

9. Parts list for Avant snow brush 1050

(A21041 for 500 and 600 series)

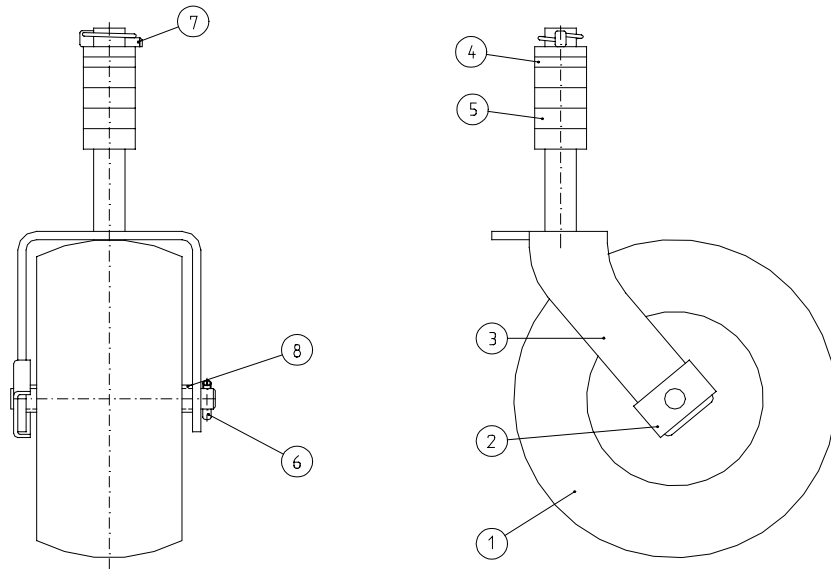
(A21123 for 200 series)

Frame and attachment plate



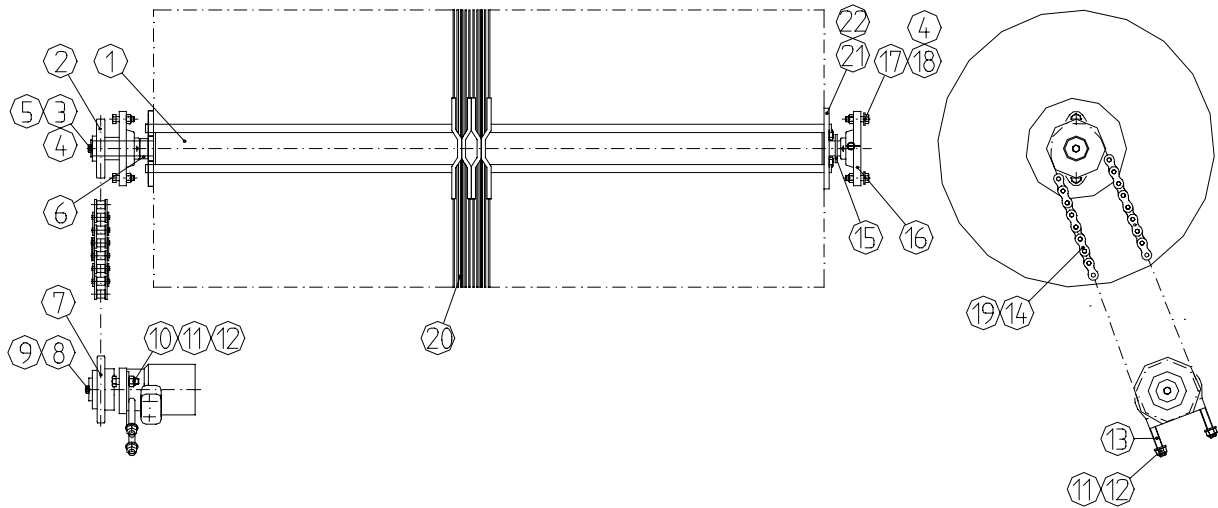
1	A21188	1	FRAME
2	A32487	1	ATTACHMENT PLATE, 500&600 SERIES
	A33126	1	ADAPTER PLATE FOR 200 SERIES
3	A32485	1	ATTACHMENT FRAME
4	A32738	1	COVER PLATE, BOTTOM PART
5	A32739	1	COVER PLATE, TOP PART
6	A45096	1	SIDE STAND
7	A45083	1	CHAIN COVER PLATE
8	74686	1	HEXAGONAL SCREW M24*180 DIN 931 ZN
9	72338	1	HEXAGONAL NUT M24 DIN 985 NYLOC
10	72798	2	GREASE NIPPLE R1/8
11	72157	1	HEXAGONAL SCREW M10*60 DIN 931
12	72322	1	HEXAGONAL NUT M10 DIN 985
13	A48165	1	BRACKET FOR COVER PLATE, LEFT
14	A44877	1	BRACKET FOR COVER PLATE, RIGHT
15	72132	18	HEXAGONAL SCREW M8*25 DIN 933 ZN
16	71685	22	WASHER R9 DIN 440 ZN LARGE
17	72320	22	HEXAGONAL NUT M8 DIN985
18	72130	4	HEXAGONAL SCREW M8*20 DIN 933 ZN
19	72191	4	HEXAGONAL SCREW M16*40 DIN 933 ZN
20	72330	4	HEXAGONAL NUT M16 DIN 985
21	74435	2	WASHER M30 DIN 125 ZN
22	71784	2	SPRING SPLINT 10*50 DIN 1481

Support wheel complete (A2870)



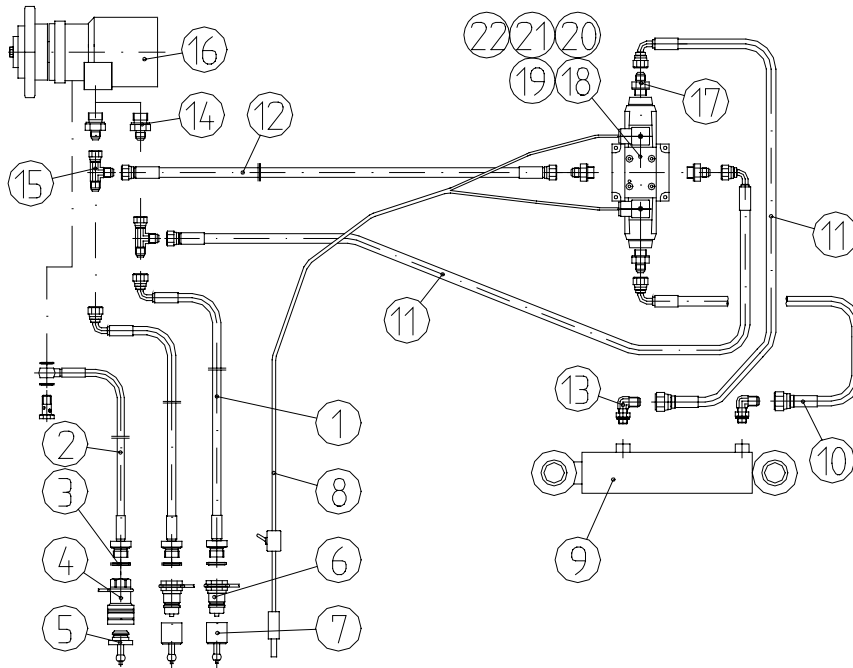
1	64163	1	TYRE+RIM GRASS PR. LP 140-6/6PR T539
2	A44802	1	AXLE FOR THE SUPPORT WHEEL
3	A32429	1	YOKE FOR THE SUPPORT WHEEL
4	A44664	2	ADJUSTING RING 10
5	A44665	4	ADJUSTING RING 20
6	71774	1	SPRING PIN 8* 40 DIN 1481
7	71727	1	RING SPLINT 9,5 MM ZN
8	A44807	2	BUSHING

Brush shaft



1	A33066	1	BRUSH SHAFT
2	A45085	1	SPROCKET 1" Z=13
3	73040	1	HEXAGONAL SCREW M10*20 DIN 933 ZN
4	73018	5	WASHER M10 DIN 440 ZN LARGE
5	A45595	1	KEY 7*8 L=20
6	A45076	1	BUSHING
7	A45084	1	SPROCKET 1" Z=15
8	72132	1	HEXAGONAL SCREW M8*25 DIN 933 ZN
9	A45075	1	SPECIAL WASHER
10	73322	2	HEXAGONAL SCREW M12*40 DIN 931 ZN
11	72324	4	HEXAGONAL NUT M12 DIN 985 NYLOC
12	73006	4	WASHER M12 DIN 440 ZN LARGE
13	A48163	1	TIGHTENER
14	A33585	1	DRIVE CHAIN
15	74435	1	WASHER M30 DIN 125 ZN
16	63378	2	BEARING UCFL 206
17	72505	4	HEXAGONAL SCREW M10*35 DIN 933 ZN
18	72322	4	HEXAGONAL NUT M10 DIN 985 ZN
19	73606	1	CHAIN CONNECTING LINK 1"
20	64716	34	BRUSH SEGMENT D=550 "BEELINE"
21	A44682	1	TIGHTENING PLATE
22	72167	2	HEXAGONAL SCREW M12*30 DIN 933 ZN

Hydraulic motor & hoses



1	A32453	2	HYDR. HOSE L=2100
2	A48169	1	HYDR. HOSE L=2250
3	73047	3	USIT-SEAL 1/2"
4	73457	1	QUICK COUPLING 1/2" FEMALE
	64564	1	QUICK COUPLING FLAT FACE, 200 SERIES
5	73754	1	RUBBER CAP FOR FEMALE QUICK COUPLING
	64568	1	RUBBER CAP FOR FLAT FACE COUPLING
6	73409	2	QUICK COUPLING 1/2" MALE
	64563	2	QUICK COUPLING FLAT FACE, 200 SERIES
7	73753	2	RUBBER CAP FOR MALE QUICK COUPLING
	64567	2	RUBBER CAP FOR FLAT FACE COUPLING
8	A32758	1	ELECTRIC WIRE
9	A32594	1	HYDR. CYLINDER
10	A45238	1	HYDR. HOSE L=950
11	A45237	2	HYDR. HOSE L=1100
12	A45236	1	HYDR. HOSE L=850
13	64087	2	ELBOW FITTING
14	64040	2	BASIC FITTING
15	64078	2	L-FITTING
16	64960	1	HYDRAULIC MOTOR MR160CD
17	64041	4	BASIC FITTING
18	64731	1	DIRECTIONAL VALVE
19	64738	1	SUBPLATE CETOP3
20	74694	4	HEXAGONAL SCREW M5*30 DIN 912 ZN
21	72315	4	HEXAGONAL NUT M5 DIN 985
22	74448	4	WASHER M5 DIN 125 ZN