

# AVANT

Snow brush 1300 mm / 500 Series  
A2941

## Parts list



Manufacturer:

**AVANT**

AVANT TECNO OY

Ylötie 1

FIN-33470 YLÖJÄRVI

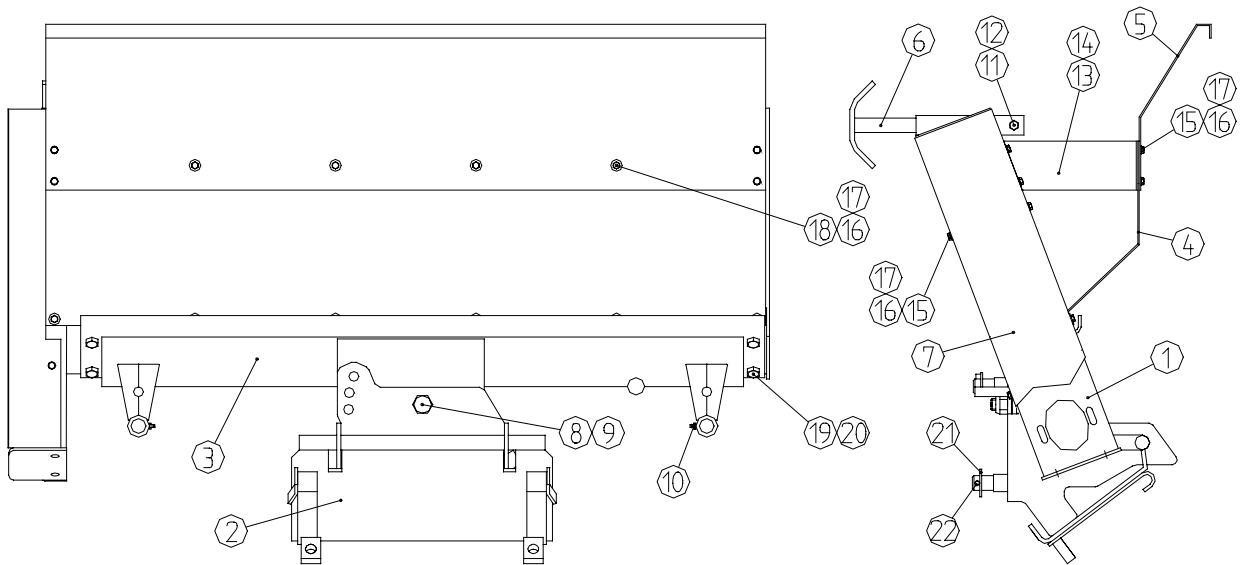
FINLAND

Tel. +358 (0)3 347 8800

Fax. +358 (0)3 348 5511

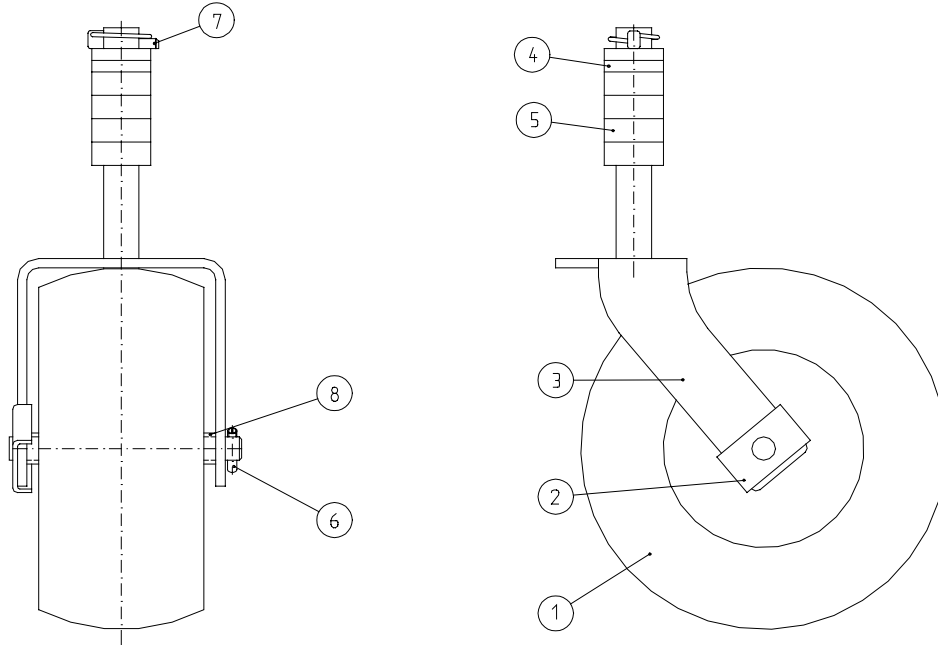
Web [www.avanttecno.com](http://www.avanttecno.com)

**FRAME AND MOUNTING BRACKET**



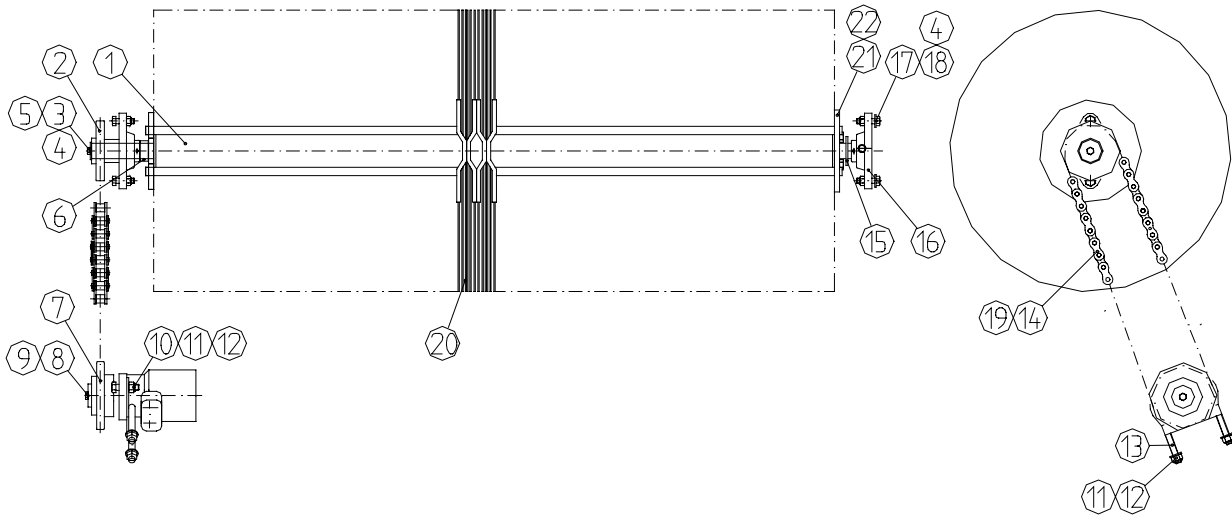
Pos.	Part no.	Pcs	Designation
1	A2948	1	FRAME
2	A32487	1	BRACKET, ATTACHMENT COUPLING PLATE
3	A32485	1	MOUNTING FRAME
4	A32478	1	COVER PLATE, LOWER
5	A32503	1	COVER PLATE, UPPER
6	A45096	1	SUPPORT FOOT
7	A45083	1	COVER PLATE, CHAIN
8	74686	1	HEXAGONAL SCREW M24*180 DIN 931 ZN
9	72338	1	HEXAGONAL NUT M24 DIN 985
10	72798	2	GREASE NIPPLE R1/8
11	72157	1	HEXAGONAL SCREW M10*60 DIN 931
12	72322	1	HEXAGONAL NUT M10 DIN 985
13	A45081	1	BRACKET, COVER PLATE, LEFT
14	A44877	1	BRACKET, COVER PLATE, RIGHT
15	72132	18	HEXAGONAL SCREW M8*25 DIN 933 ZN
16	71685	22	WASHER R9 DIN 440 ZN KORI
17	72320	22	HEXAGONAL NUT M8 DIN985
18	72130	4	HEXAGONAL SCREW M8*20 DIN 933 ZN
19	72191	4	HEXAGONAL SCREW M16*40 DIN 933 ZN
20	72330	4	HEXAGONAL NUT M16 DIN 985
21	74435	2	WASHER M30 DIN 125 ZN
22	71784	2	SPRING SPLINT 10*50 DIN 1481

**SUPPORT WHEEL A2870**



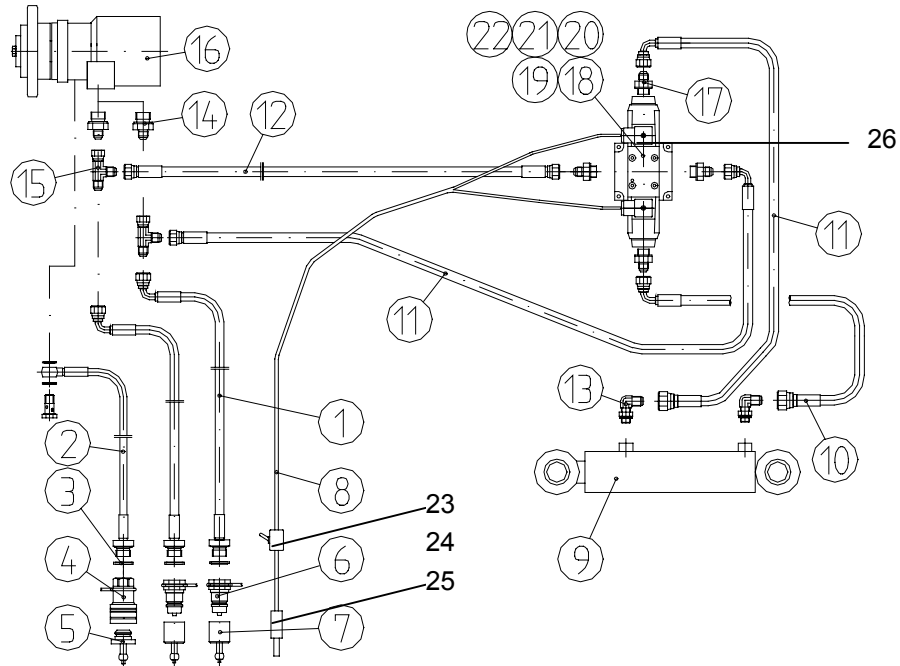
Pos.	Part no.	Pcs	Designation
1	64163	1	WHEEL, GRASS PROFILE, 140-6/6 PR T-539
2	A44802	1	SHAFT, SUPPORT WHEEL
3	A32429	1	YOKE, SUPPORT WHEEL
4	A44664	2	SPACER, PLASTIC, 10 MM
5	A44665	4	SPACER, PLASTIC, 20 MM
6	71774	1	SPRING PIN 8* 40 DIN 1481
7	71727	1	RING PIN 9,5 MM ZN
8	A44807	2	SPACER

**SHAFT & TRANSMISSION**



Pos.	Part no.	Pcs	Designation
1	A32505	1	SHAFT
2	A45085	1	SPROCKET 1" Z=13
3	73040	1	HEXAGONAL SCREW M10*20 DIN 933 ZN
4	73018	5	WASHER M10 DIN 440 ZN KORI
5	A45595	1	KEY 7*8 L=20
6	A45076	1	BUSHING
7	A45084	1	SPROCKET 1" Z=15
8	72132	1	HEXAGONAL SCREW M8*25 DIN 933 ZN
9	A45075	1	WASHER
10	73322	2	HEXAGONAL SCREW M12*40 DIN 931 ZN
11	72324	4	HEXAGONAL NUT M12 DIN 985 NYLOC
12	73006	4	WASHER M12 DIN 440 ZN KORI
13	A45082	1	TIGHTENER
14	A32757	1	CHAIN
15	74435	1	WASHER M30 DIN 125 ZN
16	63378	2	BEARING UCFL 206
17	72505	4	HEXAGONAL SCREW M10*35 DIN 933 ZN
18	72322	4	HEXAGONAL NUT M10 DIN 985 ZN
19	73606	1	CHAIN CONNECTING LINK 1" STRAIGHT
20	64716	41	BRUSH SEGMENT, NYLON, D=550 BEELINE
21	A44682	1	TIGHTENING FLANGE
22	72167	2	HEXAGONAL SCREW M12*30 DIN 933 ZN

**HYDRAULIC HOSES**



Pos.	Part no.	Pcs	Designation
1	A32453	2	HYDRAULIC HOSE L=2100
2	A45235	1	HYDRAULIC HOSE L=2250
3	73047	3	USIT SEAL 1/2"
4	73457	1	QUICK COUPLER 1/2" FEMALE
5	73754	1	PLUG, RUBBER, QUICK COUPLER
6	73409	2	QUICK COUPLER NIPPLE 1/2" MALE
7	73753	2	COVER, RUBBER, QUICK COUPLER
8	A32758	1	ELECTRIC WIRE
9	A32594	1	HYDRAULIC CYLINDER F50/F32-127
10	A45238	1	HYDRAULIC HOSE L=950
11	A45237	2	HYDRAULIC HOSE L=1100
12	A45236	1	HYDRAULIC HOSE L=850
13	64087	2	ELBOW FITTING
14	64040	2	BASIC FITTING
15	64078	2	L FITTING BODY
16	64094	1	HYDRAULIC MOTOR AR160
17	64041	4	BASIC FITTING
18	64731	1	DIRECTIONAL VALVE
19	64738	1	SUBPLATE
20	74694	4	HEXAGONAL SCREW M5*30 DIN 912 ZN
21	72315	4	HEXAGONAL NUT M5 DIN 985
22	74448	4	WASHER M5 DIN 125 ZN
23	64602	1	TOGGLE SWITCH, 250VAC / 10A
24	64603	1	COVER, RUBBER, TOGGLE SWITCH
25	64621	1	PLUG 12V, MERIT 113010
26	64601	1	CONNECTOR HIRSCHMANN