

# AVANT

## Rotary broom 1050

A33260 Rotary broom 500&600 series

A33261 Rotary broom 200 series

Collector box 1050 A33262

Side brush A2898

## Parts list



Manufacturer:

**AVANT**

AVANT TECNO OY

Ylötie 1

FIN-33470 YLÖJÄRVI

FINLAND

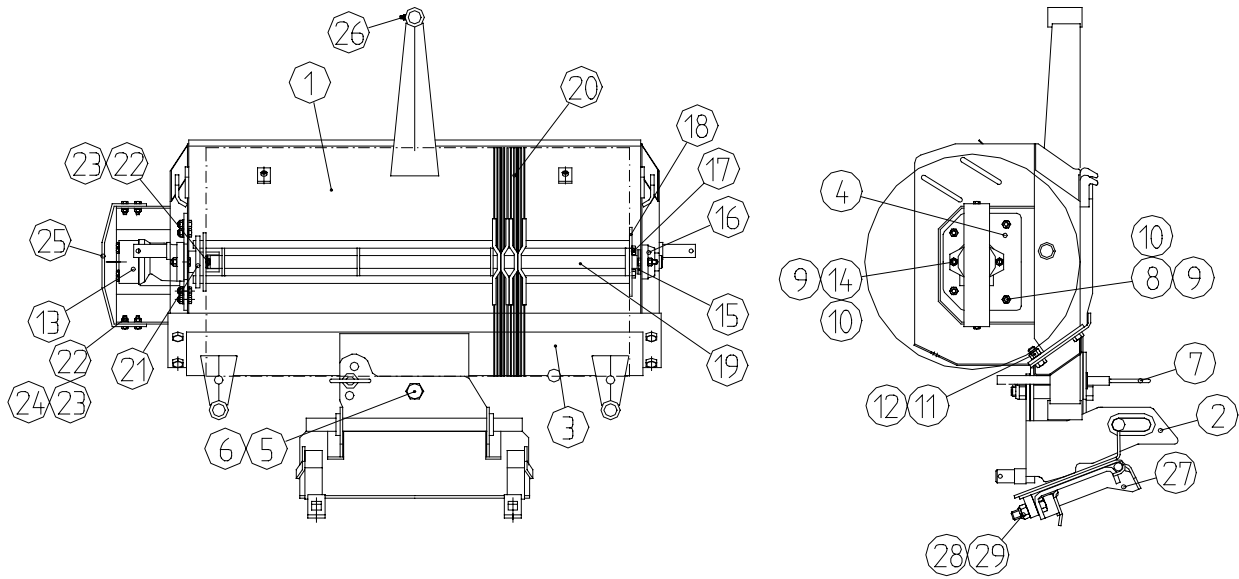
Tel. +358 3 347 8800

Fax. +358 3 348 5511

E-mail [sales@avanttecno.com](mailto:sales@avanttecno.com)

Web [www.avanttecno.com](http://www.avanttecno.com)

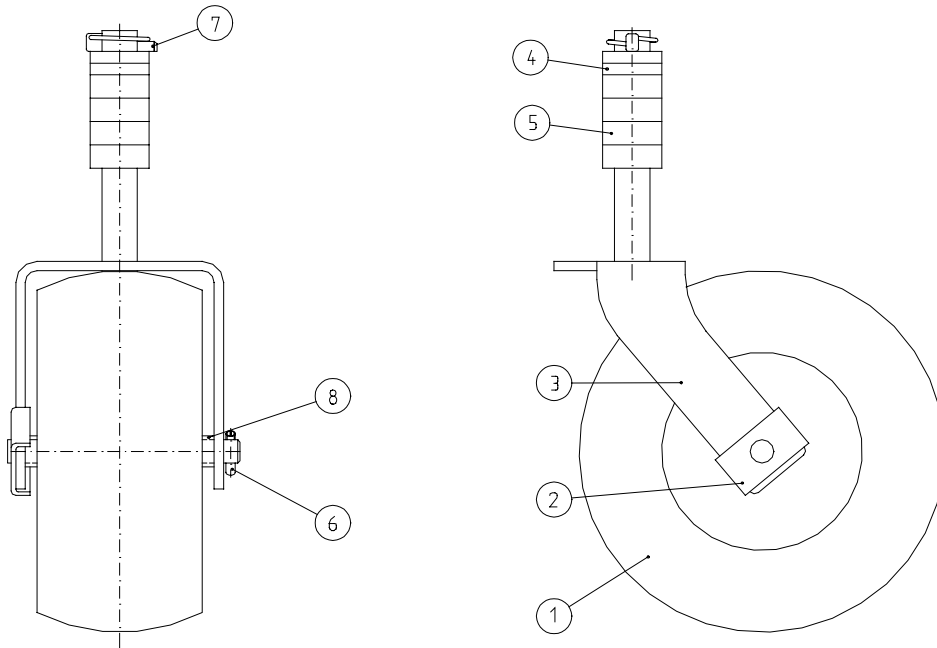
**FRAME AND SHAFT**



Pos.	Part no.	Pcs	Designation
1	A21154	1	FRAME
2	A33524	1	ATTACHMENT PLATE
3	A32485	1	MOUNTING FRAME
4	A44847	1	MOUNTING PLATE FOR HYDR. MOTOR
5	74686	1	HEXAGONAL SCREW M24*180 DIN 931 ZN
6	72338	1	HEXAGONAL NUT M24 DIN 985
7	A44889	1	LOCKING PIN, SLEWING
8	72167	4	HEXAGONAL SCREW M12*30 DIN 933 ZN
9	72324	8	HEXAGONAL NUT M12 DIN 985
10	71691	8	WASHER M12 DIN 125
11	72191	4	HEXAGONAL SCREW M16*40 DIN 933 ZN
12	72330	2	HEXAGONAL NUT M16 DIN 985
13	64960	1	HYDRAULIC MOTOR MR160 CD
14	73322	4	HEXAGONAL SCREW M12*40 DIN 933 ZN
15	74435	2	WASHER M30 DIN 125 ZN
16	63778	1	BEARING UCFL 206
17	72167	2	HEXAGONAL SCREW M12*30 DIN 933 ZN
18	A47349	1	TIGHTENING PLATE
19	A37338	1	SHAFT
20	64660	31	BRUSH SEGMENT D=500 BEELINE
21	A44896	1	COUPLING
22	72132	5	HEXAGONAL SCREW M8*25 DIN 933 ZN
23	73018	1	WASHER R11 DIN 440 ZN
24	72320	4	HEXAGONAL NUT M8 DIN 985
25	A47340	1	PLATE
26	72798	3	GREASE NIPPLE R 1/8"
27	A33126	1	ADAPTER PLATE FOR 200 SERIES
28	72229	2	HEXAGONAL SCREW M20*70 (200 SERIES)
29	72335	2	HEXAGONAL NUT M20 DIN 985 (200 SERIES)

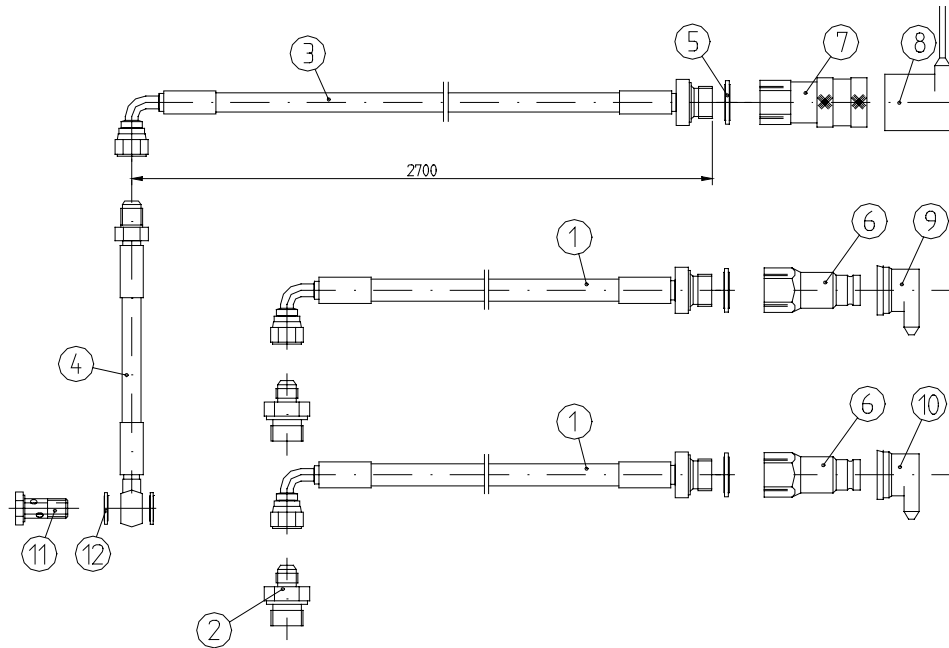
**SUPPORT WHEEL, COMPLETE**

**A2870**



Pos.	Part no.	Pcs	Designation
1	64163	1	WHEEL, GRASS PROFILE, 140-6/6 PR T-539
2	A44802	1	SHAFT, SUPPORT WHEEL
3	A32429	1	YOKE, SUPPORT WHEEL
4	A44664	2	SPACER, PLASTIC, 10 MM
5	A44665	4	SPACER, PLASTIC, 20 MM
6	71774	1	SPRING PIN 8* 40 DIN 1481
7	71727	1	RING PIN 9,5 MM ZN
8	A44807	2	SPACER

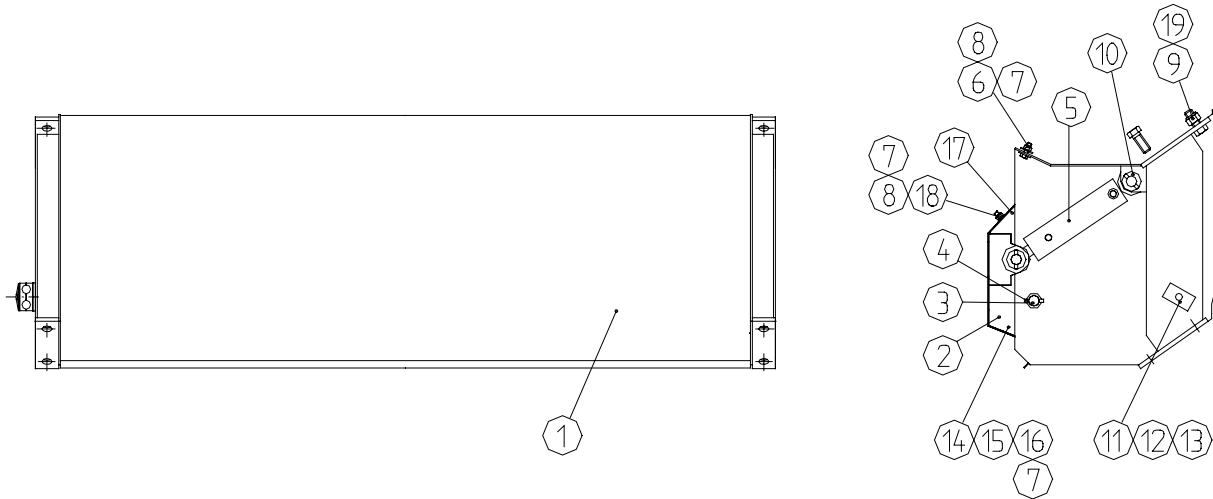
**HYDRAULIC HOSES, BROOM 1050**



Pos.	Part no.	Pcs	Designation
1	A32619	2	HYDR. HOSE L=2300
2	64040	2	BASIC FITTING
3	A32621	1	HYDR. HOSE L=2700
4	A47899	1	HYDR. HOSE L=200
5	73047	3	USIT-SEAL R1/2"
6	73409	2	QUICK COUPLING 1/2" MALE
	64563	2	QUICK COUPLING FLAT FACE, 200 SERIES
7	73457	1	QUICK COUPLING 1/2" FEMALE
	64564	1	QUICK COUPLING FLAT FACE, 200 SERIES
8	73754	1	RUBBER CAP FOR QUICK COUPLING
	64568	1	RUBBER CAP FOR FLAT FACE COUPLING
9	73753	1	RUBBER CAP FOR QUICK COUPLING
	64567	1	RUBBER CAP FOR FLAT FACE COUPLING
10	64811	1	RUBBER CAP, RED FOR FLAT FACE COUPLING
	64878	1	RUBBER CAP, BLUE FOR QUICK COUPLING
11	64557	1	BANJO FITTING R1/4"
12	73757	2	USIT-SEAL R1/4"

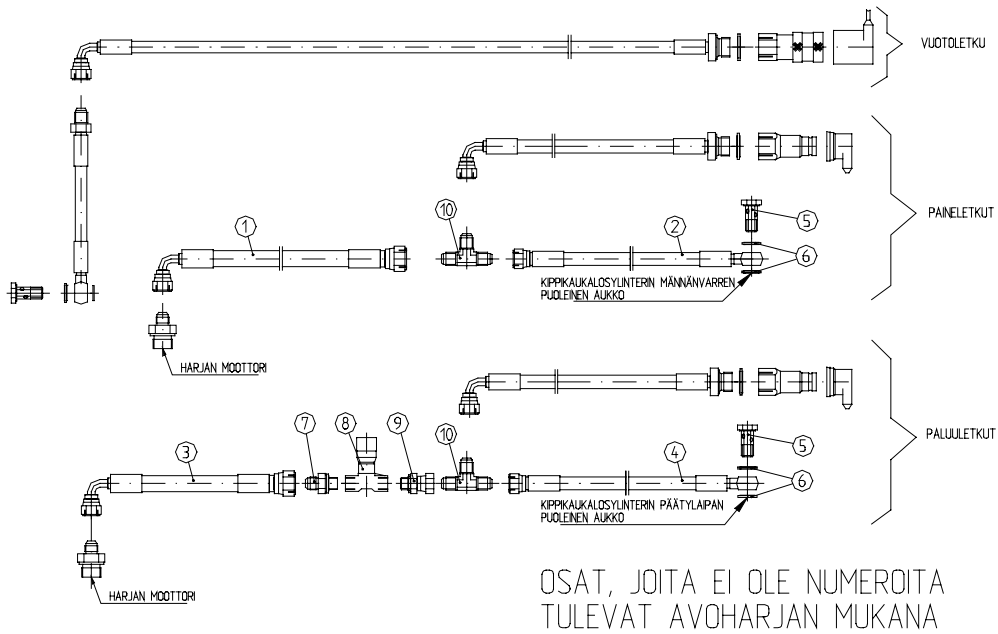
**COLLECTOR BOX 1050     A33262**

**FRAME AND DUMPING TRAY**



Pos.	Part no.	Pcs	Designation
1	A33493	1	FRAME, COLLECTOR BOX
2	A47353	1	DUMPING TRAY
3	A47845	1	UNIVERSAL SHAFT
4	71773	4	SPRING PIN 8*32 DIN 1481
5	A31605	1	HYDR. CYLINDER 40/20-100 LMIN262
6	72132	2	HEXAGONAL SCREW M8*25 DIN 933 ZN
7	72320	10	HEXAGONAL NUT M8 DIN 985 NYLOC
8	71685	8	WASHER R9 DIN 440 ZN KOR1
9	72191	4	HEXAGONAL SCREW M16*40 DIN 933 ZN
10	74660	2	WASHER M20 DIN 126 ZN
11	64145	1	PIPE CLAMP
12	73767	1	COVER PLATE, PIPE CLAMP
13	73221	1	HEXAGONAL SCREW M8*35 DIN 933 ZN
14	A47844	1	BRACKET PLATE, SEAL RUBBER
15	A47843	1	SEAL RUBBER, DUMPING TRAY
16	72133	4	HEXAGONAL SCREW M8*30 DIN 933 ZN
17	A47842	1	ADJUSTMENT PLATE, DUMPING TRAY
18	72130	4	HEXAGONAL SCREW M8*20 DIN 933 ZN
19	72330	2	HEXAGONAL NUT M16 DIN 985

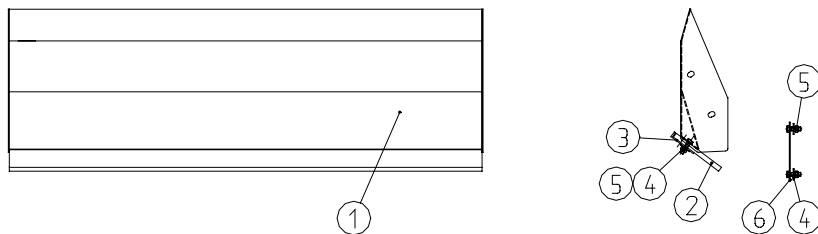
**HYDRAULIC HOSES, COLLECTOR BOX 1050**



Pos.	Part no.	Pcs	Designation
1	A45046	1	HYDR. HOSE L=380
2	A45042	1	HYDR. HOSE L=650
3	A45047	1	HYDR. HOSE L=240
4	A45041	1	HYDR. HOSE L=550
5	64557	2	BANJO FITTING R 1/4"
6	73757	4	USIT-SEAL R 1/4"
7	64059	1	BASIC FITTING
8	63879	1	FLOW RESTRICTOR VALVE
9	64060	1	CONNECTOR FITTING
10	64201	2	T-FITTING

Parts in the picture without part no. come with the rotary broom.

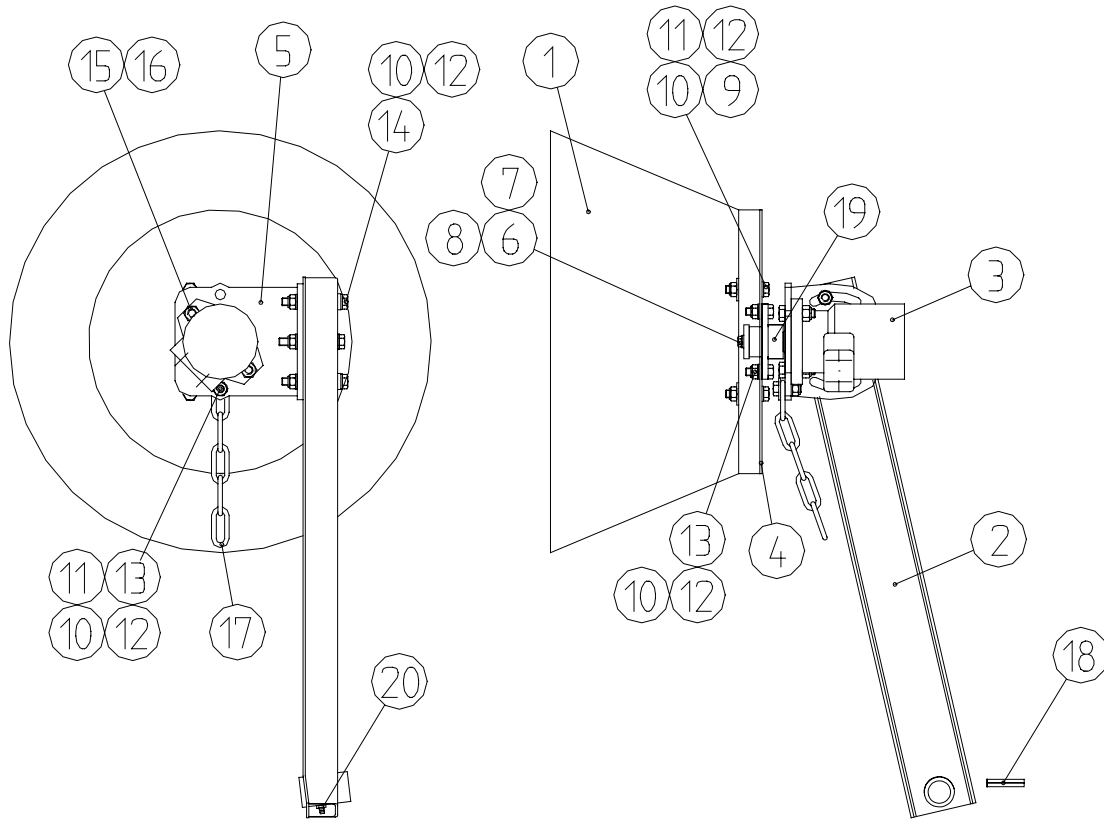
**ADJUSTMENT PLATE, COLLECTOR BOX**



1	A33491	1	FRAME, ADJUSTMENT PLATE
2	A47351	1	RUBBER LIP
3	A47352	1	BRACKET, RUBBER LIP
4	71685	9	WASHER M8 DIN 440 KORU
5	72320	9	HEXAGONAL NUT M8 DIN 985
6	A45039	2	PLATE

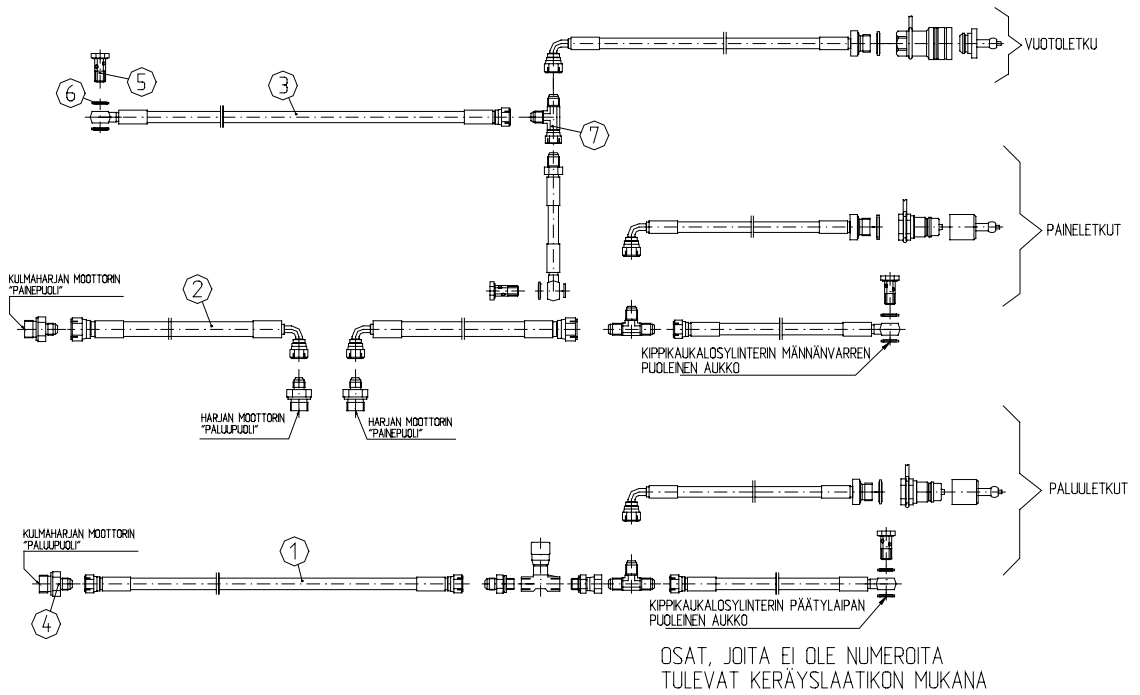
**SIDE BRUSH A2898**

**FRAME AND BRUSH**



Pos.	Part no.	Pcs	Designation
1	64140	1	BRUSH
2	A45176	1	ARM, SIDE BRUSH
3	64961	1	HYDRAULIC MOTOR MR200 CD
4	A44834	1	TOP PLATE, BRUSH
5	A44833	1	MOUNTING BRACKET, HYDRAULIC MOTOR
6	72132	1	HEXAGONAL SCREW M8*25 DIN 933 ZN
7	63944	1	WASHER,PAIR M8 NORDLOCK
8	A45075	1	WASHER
9	72155	3	HEXAGONAL SCREW M10*50 DIN 931 ZN
10	72322	11	HEXAGONAL NUT M10 DIN 985 NYLOCK
11	73018	4	WASHER R11 DN 440 KORI
12	73121	14	WASHER M10 DIN 125 ZN
13	72151	5	HEXAGONAL SCREW M10*30 DIN 933 ZN
14	74489	3	HEXAGONAL SCREW M10*80 DIN 931 ZN
15	73322	2	HEXAGONAL SCREW M12*40 DIN 931
16	72324	2	HEXAGONAL NUT M12 DIN 985 NYLOCK
17	A45181	1	CHAIN
18	71784	1	SPRING SPLINT 10*50 DIN 1481
19	A32258	1	MOUNTING FLANGE
20	72798	1	GREASE NIPPLE R1/8" STRAIGHT

**HYDRAULIC HOSES, SIDE BRUSH**



Pos.	Part no.	Pcs	Designation
1	A45043	1	HYDR. HOSE L=2200
2	A45044	1	HYDR. HOSE L=2200
3	A48133	1	HYDR. HOSE L=2350
4	64040	2	BASIC FITTING
5	64557	1	BANJO FITTING R 1/4"
6	73757	2	USIT-SEAL R 1/4"
7	64078	1	T-FITTING

Parts in the picture without part no. come with the brush and collector box.