

# AVANT

Rotary broom 1300 A1334

Collector box 1300 A2897

Side brush A2898

Water tank A2882

## Parts list



**Manufacturer:**

**AVANT**<sup>®</sup>

AVANT TECNO OY

Ylötie 1

FIN-33470 YLÖJÄRVI

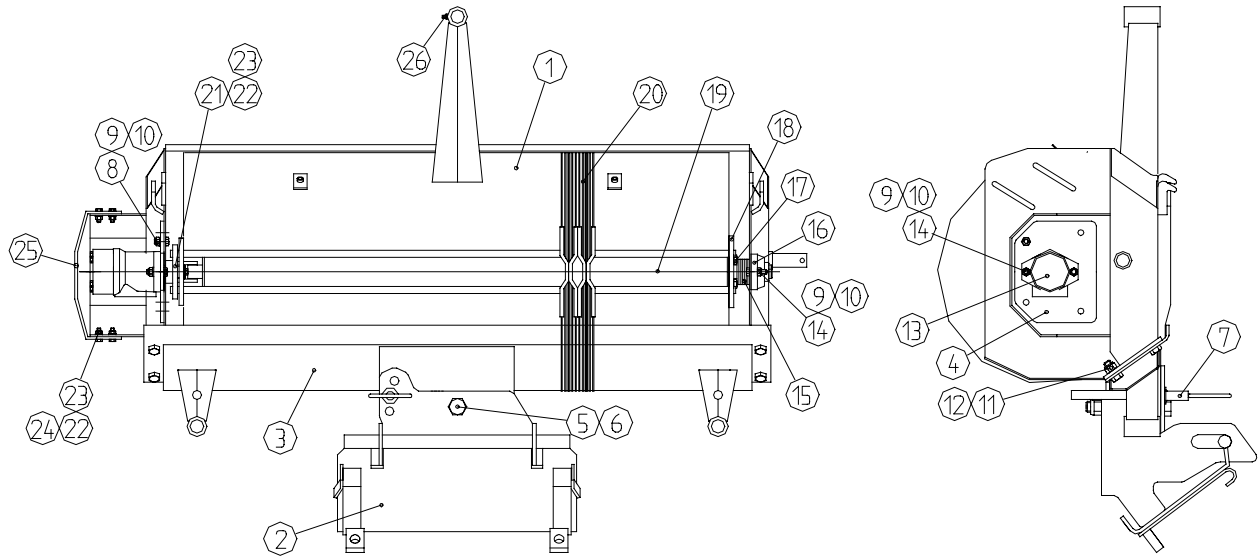
FINLAND

Tel. +358 3 347 8800

Fax. +358 3 348 5511

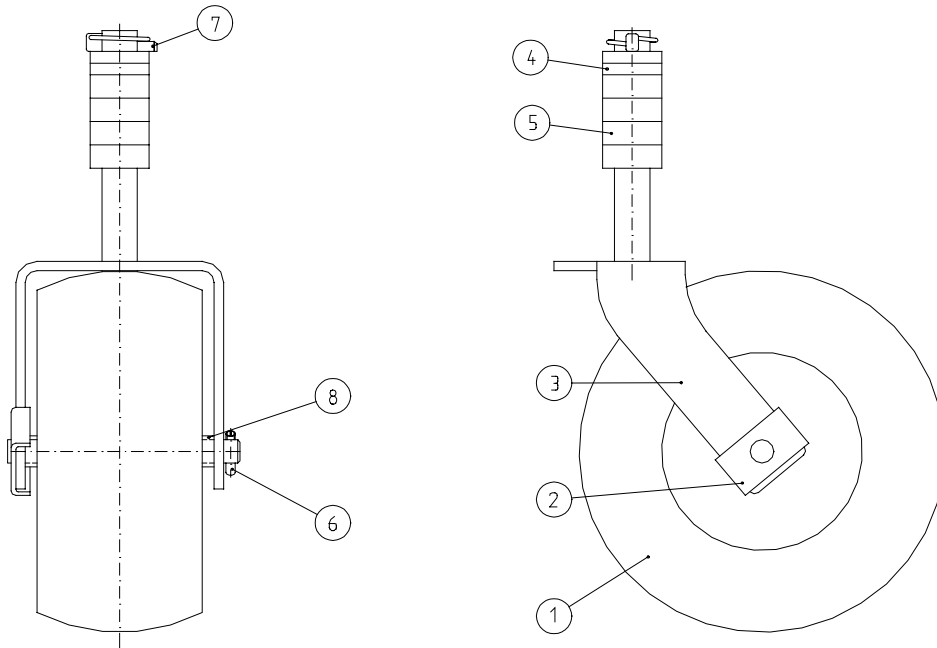
Web [www.avanttecno.com](http://www.avanttecno.com)

**FRAME AND SHAFT**



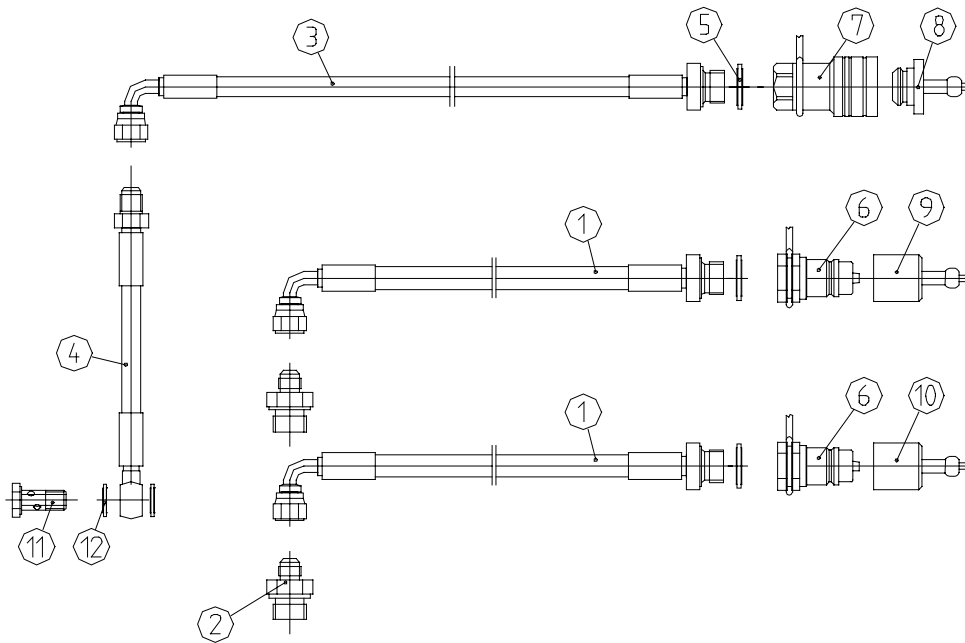
| Pos. | Part no. | Pcs | Designation                                 |
|------|----------|-----|---|
| 1    | A2938    | 1   | FRAME                                       |
| 2    | A32487   | 1   | MOUNTING BRACKET, ATTACHMENT COUPLING PLATE |
| 3    | A32485   | 1   | MOUNTING FRAME                              |
| 4    | A44847   | 1   | MOUNTING PLATE, HYDRAULIC MOTOR             |
| 5    | 74686    | 1   | HEXAGONAL SCREW M24*180 DIN 931 ZN          |
| 6    | 72338    | 1   | HEXAGONAL NUT M24 DIN 985                   |
| 7    | A44889   | 1   | ADJUSTMENT PIN                              |
| 8    | 72167    | 4   | HEXAGONAL SCREW M12*30 DIN 933 ZN           |
| 9    | 72324    | 8   | HEXAGONAL NUT M12 DIN 985                   |
| 10   | 71691    | 8   | WASHER M12 DIN 125                          |
| 11   | 72191    | 4   | HEXAGONAL SCREW M16*40 DIN 933 ZN           |
| 12   | 72330    | 2   | HEXAGONAL NUT M16 DIN 985                   |
| 13   | 64960    | 1   | HYDRAULIC MOTOR                             |
| 14   | 73322    | 4   | HEXAGONAL SCREW M12*40 DIN 933 ZN           |
| 15   | 74435    | 8   | WASHER M30 DIN 125 ZN                       |
| 16   | 63778    | 1   | BEARING UCFL 206                            |
| 17   | 73389    | 2   | HEXAGONAL SCREW M12*60 DIN933 ZN            |
| 18   | A44682   | 1   | RETAINING FLANGE                            |
| 19   | A32490   | 1   | SHAFT                                       |
| 20   | 64660    | 40  | BRUSH SEGMENT, D=500                        |
| 21   | A44896   | 1   | COUPLING                                    |
| 22   | 72132    | 1   | HEXAGONAL SCREW M8*25 DIN 933 ZN            |
| 23   | 73018    | 1   | WASHER R11 DIN 440 ZN                       |
| 24   | 72320    | 4   | HEXAGONAL NUT M8                            |
| 25   | A47340   | 1   | COVER PLATE, MOTOR                          |
| 26   | 72798    | 3   | GREASE NIPPLE R 1/8"                        |

**SUPPORT WHEEL                      A2870**



| Pos. | Part no. | Pcs | Designation                            |
|------|----------|-----|--|
| 1    | 64163    | 1   | WHEEL, GRASS PROFILE, 140-6/6 PR T-539 |
| 2    | A44802   | 1   | SHAFT, SUPPORT WHEEL                   |
| 3    | A32429   | 1   | YOKE, SUPPORT WHEEL                    |
| 4    | A44664   | 2   | SPACER, PLASTIC, 10 MM                 |
| 5    | A44665   | 4   | SPACER, PLASTIC, 20 MM                 |
| 6    | 71774    | 1   | SPRING PIN 8* 40 DIN 1481              |
| 7    | 71727    | 1   | RING PIN 9,5 MM ZN                     |
| 8    | A44807   | 2   | SPACER                                 |

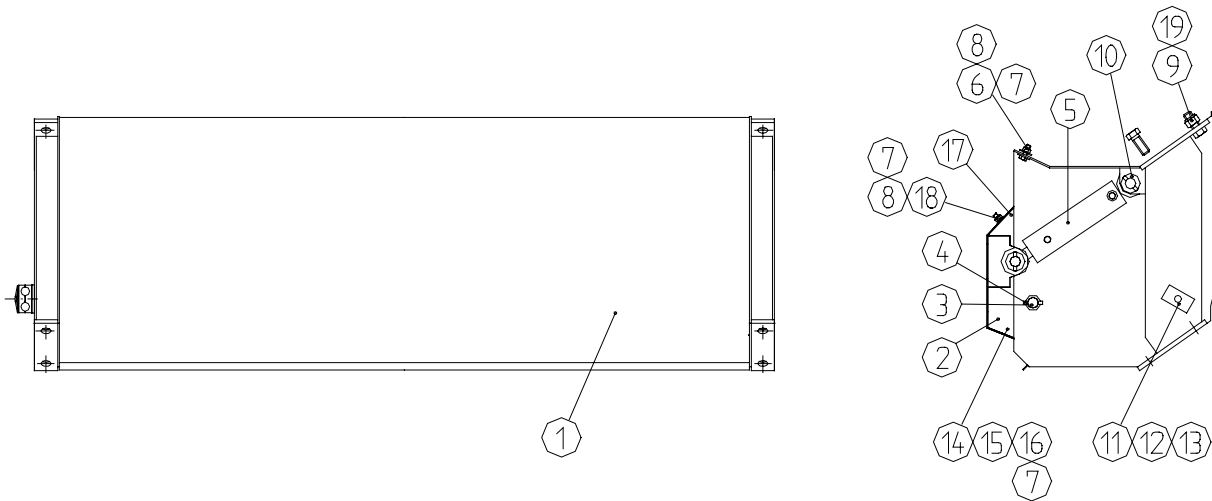
**HYDRAULIC HOSES, BROOM**



| Pos. | Part no. | Pcs | Designation                        |
|------|----------|-----|------------------------------------|
| 1    | A32619   | 2   | HYDRAULIC HOSE L=2300              |
| 2    | 64040    | 2   | BASIC FITTING                      |
| 3    | A32621   | 1   | HYDRAULIC HOSE L=2700              |
| 4    | 64346    | 1   | BASIC FITTING                      |
| 5    | 73047    | 3   | USIT SEAL R1/2"                    |
| 6    | 73409    | 2   | QUICK COUPLER NIPPLE 1/2" MALE     |
| 7    | 73457    | 1   | QUICK COUPLER 1/2" FEMALE          |
| 8    | 73754    | 1   | RUBBER PLUG, QUICK COUPLER         |
| 9    | 73753    | 1   | RUBBER COVER, BLACK, QUICK COUPLER |
| 10   | 64878    | 1   | RUBBER COVER, BLUE, QUICK COUPLER  |
| 11   | 64557    | 1   | BANJO BOLT R1/4"                   |
| 12   | 73757    | 2   | USIT SEAL R1/4"                    |

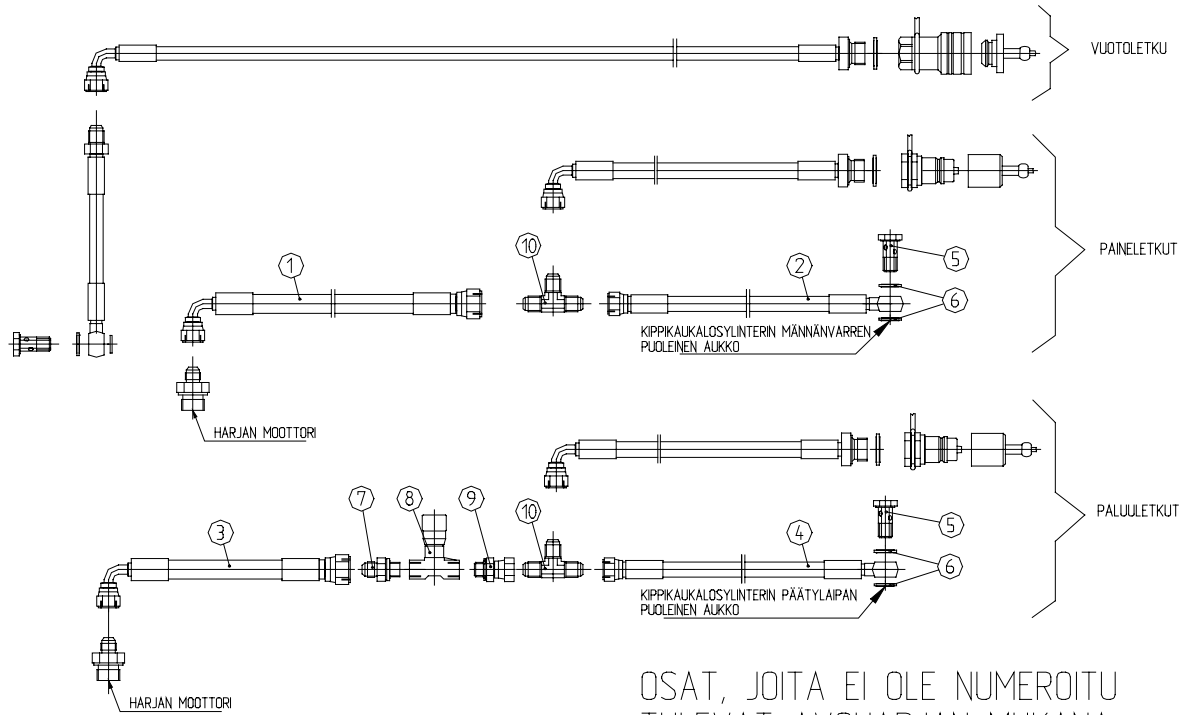
**COLLECTOR BOX A2897**

**FRAME AND TIPPING BOX**



| Pos. | Part no. | Pcs | Designation                          |
|------|----------|-----|--------------------------------------|
| 1    | A2943    | 1   | FRAME, COLLECTOR BOX                 |
| 2    | A47903   | 1   | TIPPING BOX                          |
| 3    | A44909   | 1   | AXLE                                 |
| 4    | 71773    | 4   | SPRING SPLINT 8*32 DIN 1481          |
| 5    | A31605   | 1   | HYDRAULIC CYLINDER 40/20-100 LMIN262 |
| 6    | 72132    | 2   | HEXAGONAL SCREW M8*25 DIN 933 ZN     |
| 7    | 72320    | 13  | HEXAGONAL NUT M8 DIN 985 NYLOC       |
| 8    | 71685    | 7   | WASHER R9 DIN 440 ZN KORI            |
| 9    | 72191    | 4   | HEXAGONAL SCREW M16*40 DIN 933 ZN    |
| 10   | 74660    | 2   | WASHER M20 DIN 126 ZN                |
| 11   | 64145    | 1   | PIPE CLAMP, TWIN                     |
| 12   | 73767    | 1   | COVER PLATE, PIPE CLAMP              |
| 13   | 73221    | 1   | HEXAGONAL SCREW M8*35 DIN 933 ZN     |
| 14   | A45367   | 1   | MOUNTING PLATE, RUBBER LIP           |
| 15   | A45364   | 1   | RUBBER LIP                           |
| 16   | 72133    | 6   | HEXAGONAL SCREW M8*30 DIN 933 ZN     |
| 17   | A44695   | 1   | ADJUSTMENT PLATE                     |
| 18   | 72130    | 5   | HEXAGONAL SCREW M8*20 DIN 933 ZN     |
| 19   | 72330    | 2   | HEXAGONAL NUT M16 DIN 985            |

**HYDRAULIC HOSES, BROOM WITH COLLECTOR BOX**

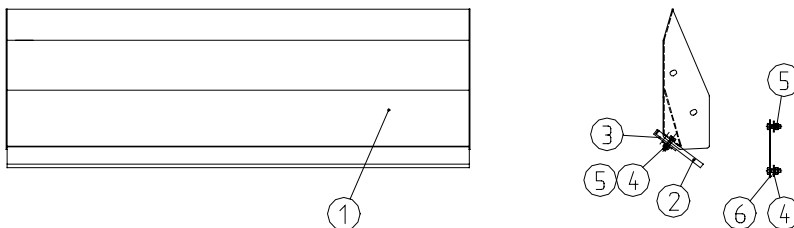


OSAT, JOITA EI OLE NUMEROITU  
TULEVAT AVOHARJAN MUKANA

PARTS WITH NO PART NUMBER COME WITH THE BROOM, SEE ROTARY BROOM HOSES

| Pos. | Part no. | Pcs | Designation               |
|------|----------|-----|---------------------------|
| 1    | A45046   | 1   | HYDRAULIC HOSE L=380      |
| 2    | A45042   | 1   | HYDRAULIC HOSE L=650      |
| 3    | A45047   | 1   | HYDRAULIC HOSE L=240      |
| 5    | A45041   | 1   | HYDRAULIC HOSE L=550      |
| 6    | 73757    | 4   | USIT SEAL R 1/4"          |
| 7    | 64041    | 1   | BASIC FITTING             |
| 8    | 65043    | 1   | CHECK VALVE, FLOW CONTROL |
| 9    | 65042    | 1   | CONNECTOR NIPPLE          |
| 10   | 64201    |     | T FITTING                 |

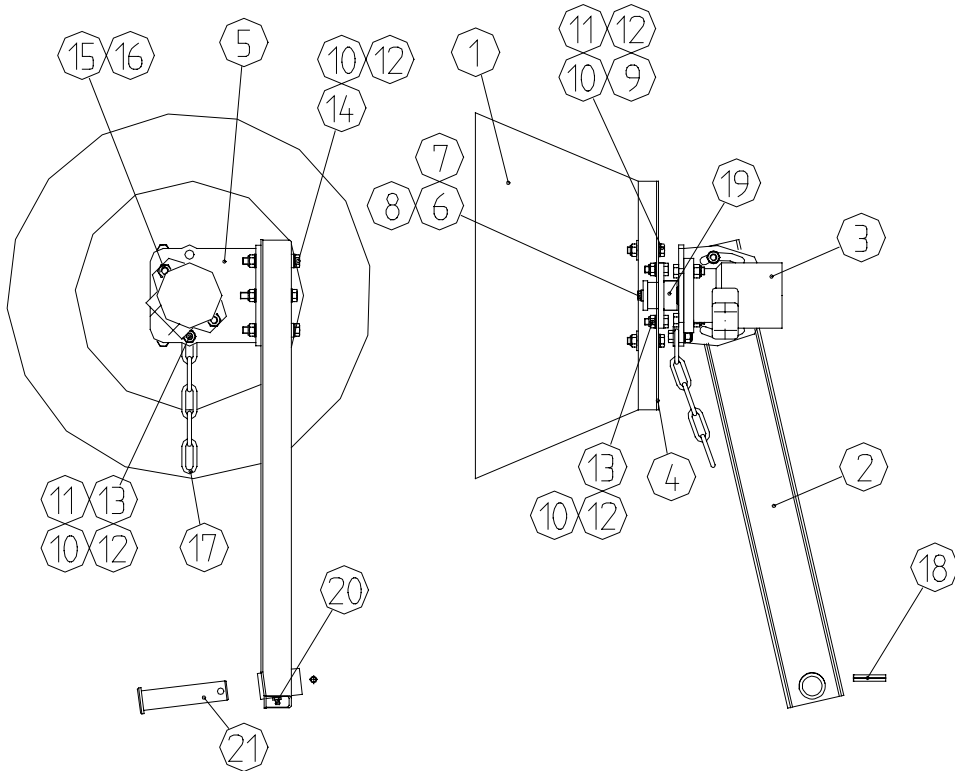
**ADJUSTMENT PLATE, COLLECTOR**



|   |        |    |                          |
|---|--------|----|--------------------------|
| 1 | A32491 | 1  | ADJUSTMENT PLATE         |
| 2 | A32488 | 1  | RUBBER LIP               |
| 3 | A44678 | 1  | BRACKET, RUBBER LIP      |
| 4 | 71685  | 10 | WASHER M8 DIN 440        |
| 5 | 72320  | 10 | HEXAGONAL NUT M8 DIN 985 |
| 6 | A45039 | 2  | PLATE                    |

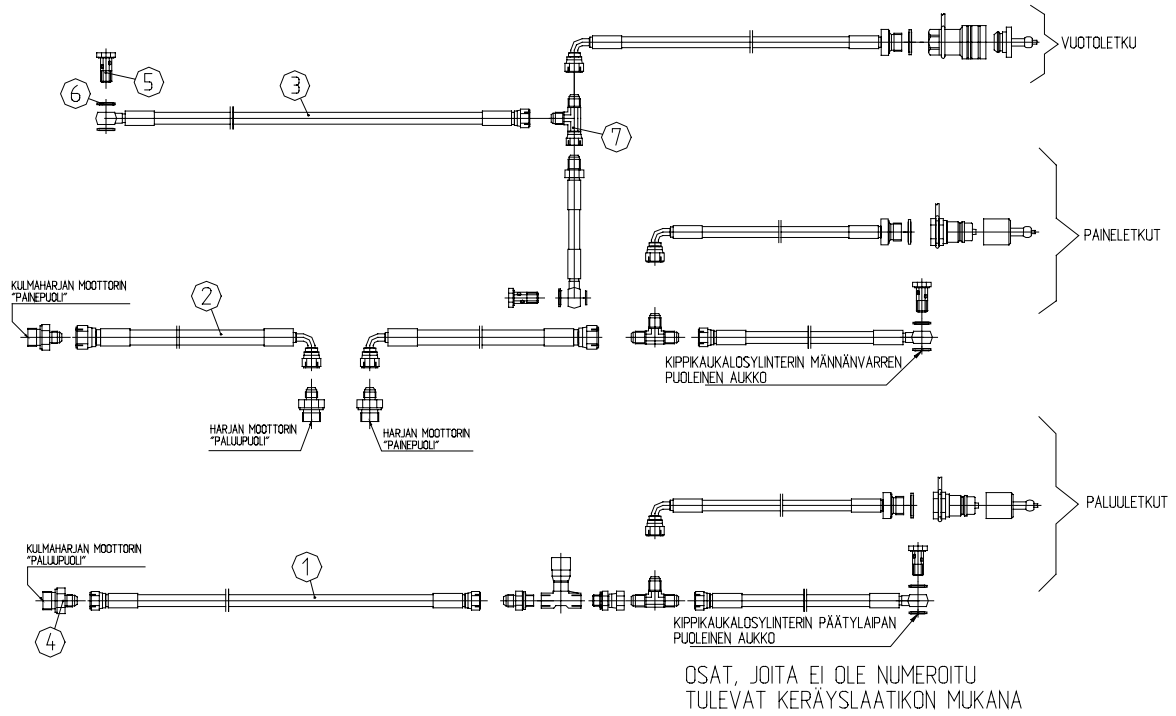
**SIDE BRUSH A2898**

**FRAME AND BRUSH**



| Pos. | Part no. | Pcs | Designation                       |
|------|----------|-----|-----------------------------------|
| 1    | 64140    | 1   | BRUSH                             |
| 2    | A45176   | 1   | ARM, SIDE BRUSH                   |
| 3    | 64961    | 1   | HYDRAULIC MOTOR                   |
| 4    | A44834   | 1   | TOP PLATE, BRUSH                  |
| 5    | A44833   | 1   | MOUNTING BRACKET, HYDRAULIC MOTOR |
| 6    | 72132    | 1   | HEXAGONAL SCREW M8*25 DIN 933 ZN  |
| 7    | 63944    | 1   | WASHER,PAIR M8 NORDLOCK           |
| 8    | A45075   | 1   | WASHER                            |
| 9    | 72155    | 3   | HEXAGONAL SCREW M10*50 DIN 931 ZN |
| 10   | 72322    | 11  | HEXAGONAL NUT M10 DIN 985 NYLOCK  |
| 11   | 73018    | 4   | WASHER R11 DN 440 KORI            |
| 12   | 73121    | 14  | WASHER M10 DIN 125 ZN             |
| 13   | 72151    | 5   | HEXAGONAL SCREW M10*30 DIN 933 ZN |
| 14   | 74489    | 3   | HEXAGONAL SCREW M10*80 DIN 931 ZN |
| 15   | 73322    | 2   | HEXAGONAL SCREW M12*40 DIN 931    |
| 16   | 72324    | 2   | HEXAGONAL NUT M12 DIN 985 NYLOCK  |
| 17   | A45181   | 1   | CHAIN                             |
| 18   | 71784    | 1   | SPRING SPLINT 10*50 DIN 1481      |
| 19   | A32258   | 1   | MOUNTING FLANGE                   |
| 20   | 72798    | 1   | GREASE NIPPLE R1/8" STRAIGHT      |
| 21   | A48761   | 1   | PIN                               |

**HYDRAULIC HOSES, BROOM WITH COLLECTOR BOX & SIDE BRUSH**

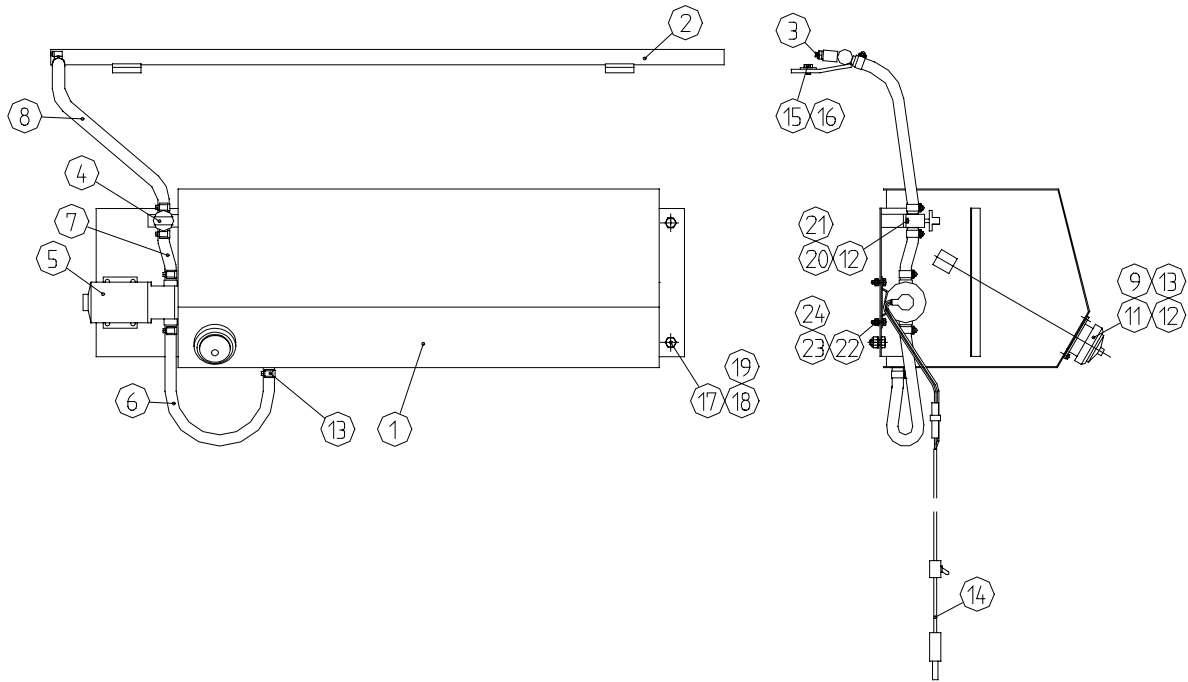


PARTS WITH NO PART NUMBER COME WITH THE COLLECTOR BOX, SEE COLLECTOR BOX HOSES.

| Pos. | Part no. | Pcs | Designation           |
|------|----------|-----|-----------------------|
| 1    | A45043   | 1   | HYDRAULIC HOSE L=2200 |
| 2    | A45044   | 1   | HYDRAULIC HOSE L=2200 |
| 3    | A48133   | 1   | HYDRAULIC HOSE L=2350 |
| 4    | 64040    | 2   | BASIC FITTING         |
| 5    | 64557    | 1   | BANJO BOLT R 1/4"     |
| 6    | 73757    | 2   | USIT SEAL R1/4"       |
| 7    | 64078    | 1   | L FITTING BODY        |



**WATER TANK & SPRAYING UNIT A2882**



| Pos. | Part no. | Pcs | Designation                    |
|------|----------|-----|--------------------------------|
| 1    | A33635   | 1   | WATER TANK                     |
| 2    | A32692   | 1   | NOZZLE BAR                     |
| 3    | 64831    | 4   | NOZZLE                         |
| 4    | 64812    | 1   | FAUCET                         |
| 5    | 64730    | 1   | PUMP                           |
| 6    | A45598   | 1   | SUCTION HOSE                   |
| 7    | A45599   | 1   | PRESSURE HOSE I                |
| 8    | A45600   | 1   | PRESSURE HOSE II               |
| 9    | A43295   | 1   | TANK CAP WITH GAUGE            |
| 10   | A43133   | 1   | BRACKET, TANK CAP              |
| 11   | 64502    | 1   | SEAL                           |
| 12   | 72110    | 8   | HEXAGONAL SCREW M5*16 DIN 933  |
| 13   | 64337    | 6   | HOSE CLAMP ABA 19-28           |
| 14   | A33093   | 1   | ELECTRIC WIRE                  |
| 15   | 72128    | 2   | HEXAGONAL SCREW M8*12 DIN 933  |
| 16   | 71685    | 2   | WASHER M8 DIN 440              |
| 17   | 73040    | 2   | HEXAGONAL SCREW M10*20 DIN 933 |
| 18   | 72322    | 2   | HEXAGONAL NUT M10 DIN 985      |
| 19   | 73121    | 2   | WASHER M10 DIN 125             |
| 20   | 72315    | 2   | HEXAGONAL NUT M5 DIN 985       |
| 21   | 74448    | 2   | WASHER M5 DIN 125              |
| 22   | 72118    | 4   | HEXAGONAL SCREW M6*20 DIN 933  |
| 23   | 72318    | 4   | HEXAGONAL NUT M6 DIN 985       |
| 24   | 71680    | 8   | WASHER M6 DIN 125              |