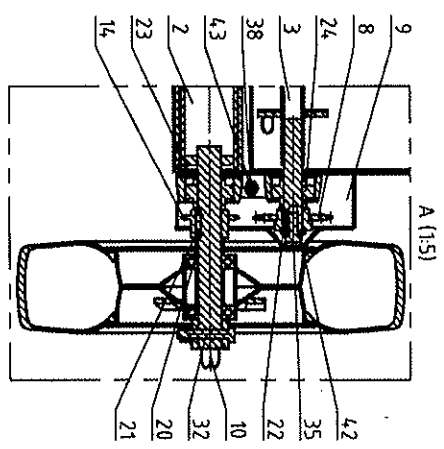
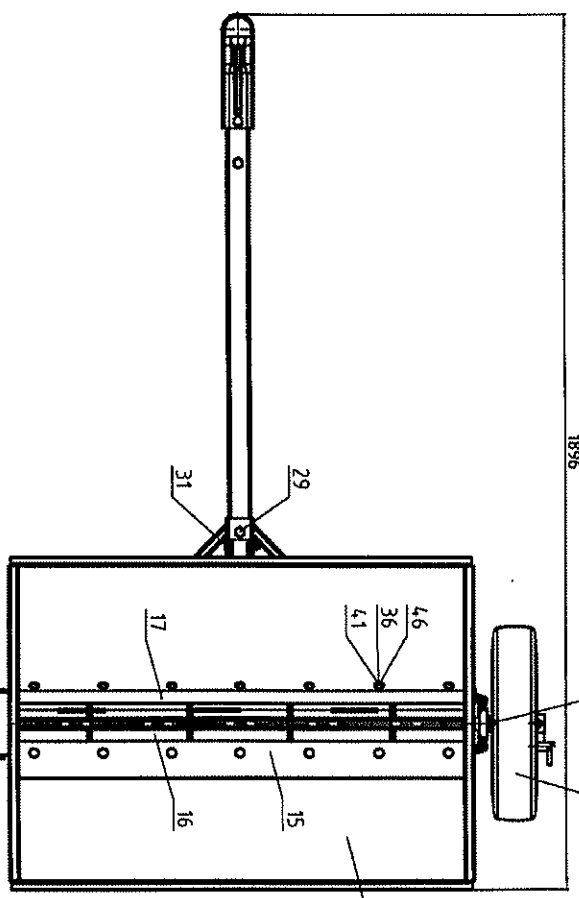
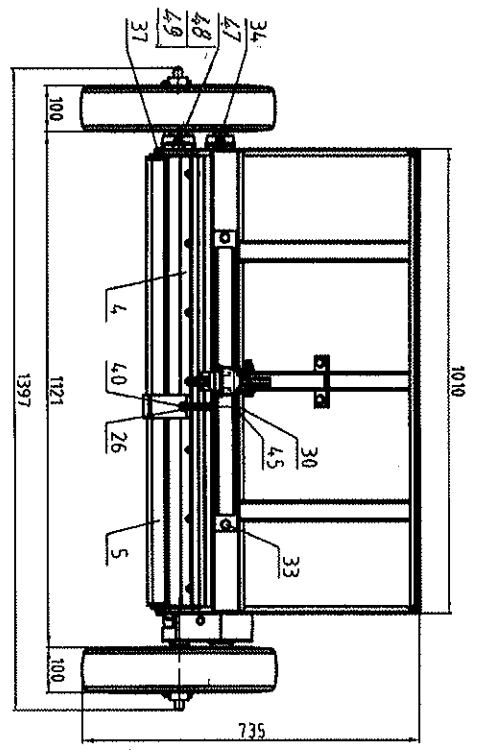
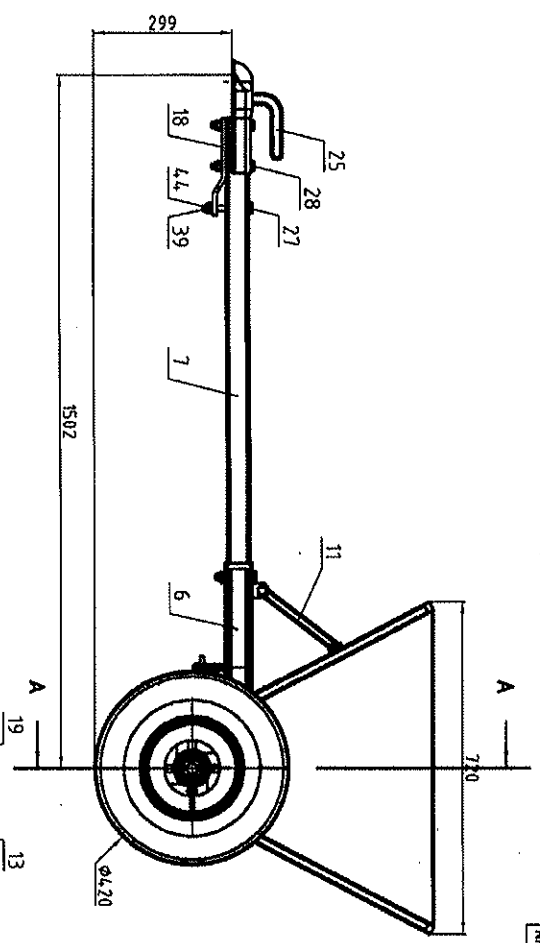


Nr.	Handling och/eller modell-nr.	Datum	Int.	Code
-----	----------------------------------	-------	------	------



Pos.	Arvid	Berörning	Materialet/tyvl.	Ritn. nr./Dimension	Arvid	Vikt
Ritad	Datum	TOLVASSRIPPA EDE TOLVASSMÄTTA MATT ENLIGT SMS 718 MEDEL.	20.01.09	1:10	Ritn. nr.	
Finl. gränsl.	Code konst.	<b>Livapuistur</b> <b>Sandingmachine</b>			A414430	



49		Washer M14	DIN 125	4
48		Nut Nyloc M14	8 ZN - DIN 985	4
47		Bolt M14x40	8.8 ZN - DIN 933	4
46		Washer M8	DIN 125	16
45		Washer M10	DIN 125	17
44		Washer M12	DIN 125	4
43		Spring washer M8	DIN 127	2
42		Spring washer M10	DIN 127	5
41		Nut Nyloc M8	8 ZN - DIN 985	16
40		Nut Nyloc M10	8 ZN - DIN 985	10
39		Nut Nyloc M12	8 ZN - DIN 985	4
38		Bolt M8x20	8.8 ZN - DIN 933	2
37		Bolt M8x25	8.8 ZN - DIN 933	2
36		Cup head bolt M8x25	4.8 ZN - DIN 603	14
35		Bolt M10x25	8.8 ZN - DIN 933	3
34		Bolt M10x30	8.8 ZN - DIN 933	4
33		Bolt M10x35	8.8 ZN - DIN 933	4
32		Bolt M10x55	8.8 ZN - DIN 931	2
31		Bolt M10x70	8.8 ZN - DIN 931	1
30		Bolt M10x120	8.8 ZN - DIN 931	1
29		Bolt M12x80	8.8 ZN - DIN 931	1
28		Bolt M12x85	8.8 ZN - DIN 931	2
27		Bolt M12x100	8.8 ZN - DIN 931	1
26		Compression spring 1,25x12,5x92	LES no. 1360	1
25		Haakeseade	K7,5K 50nk	1
24		Bearing unit	UCFL204	2
23		Bearing unit	UCFL205	2
22		Slat 6x6x19	Slat steel 6x6x1000 CE60	1
21		Slat 8x7x21	Slat steel 8x7x1000 BJ93	1
20		Bushing 32	Tube Ø33,7x3,2	1
19		Bushing 25	Tube Ø33,7x3,2	1
18	7610.00.00.05	Plate	Flat bar 8x40 S235	1
17	7610.00.00.04	Band 150x1004	Rubber sheet 4,0 mm SBR	1
16	7610.00.00.03	Band 110x1004	Rubber sheet 4,0 mm SBR	1
15	7610.00.00.02	Fixing plate		1
14	7610.00.00.01	Chain wheel	L08B1-14	1
13	7610.13.00.00	Wheel right		1
12	7610.12.00.00	Wheel left		1
11	7610.11.00.00	Frame support		1
10	7610.10.00.00	Lock		2
9	7610.09.00.00	Cover		1
8	7610.08.00.00	Chain wheel	L08B1-20	1
7	7610.07.00.00	Pull unit		1
6	7610.06.00.00	Joining frame		1
5	7610.05.00.00	Doser device		1
4	7610.04.00.00	Fixing device		1
3	7610.03.00.00	Mixing shaft		1
2	7610.02.00.00	Feeding shaft		1
1	7610.01.00.00	Base unit		1
Pos.	Drawing nr.	Title	Notes	Qty



**Liivapuistur  
Sandingmachine**

A415430