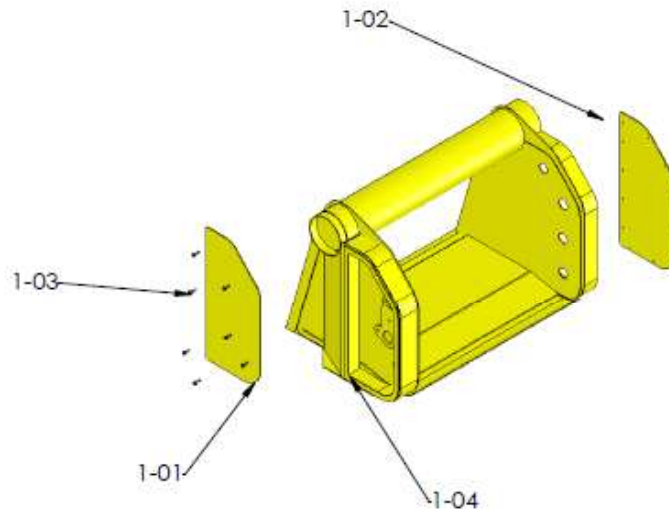
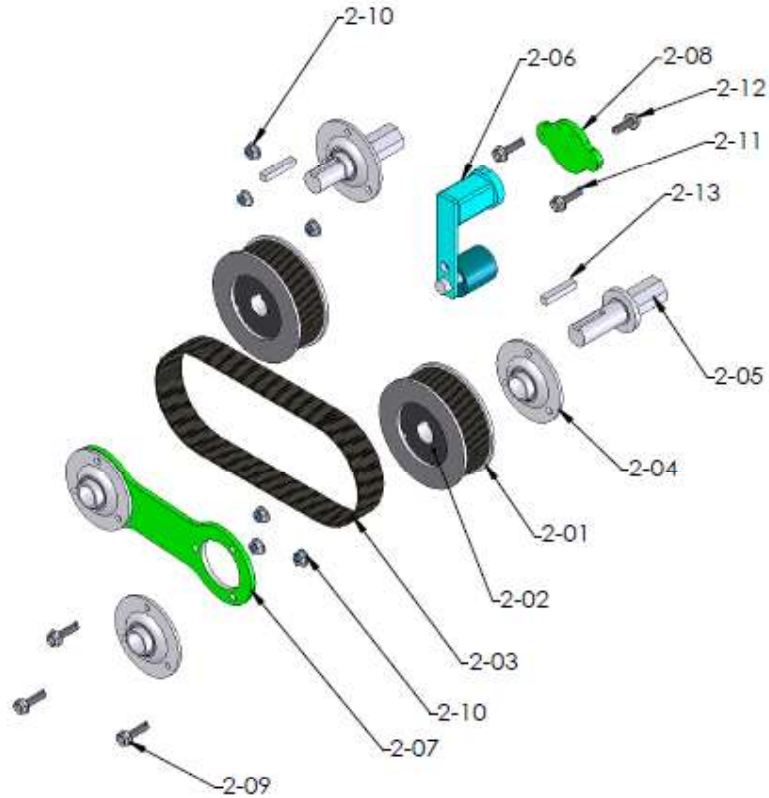


# 11. Parts List

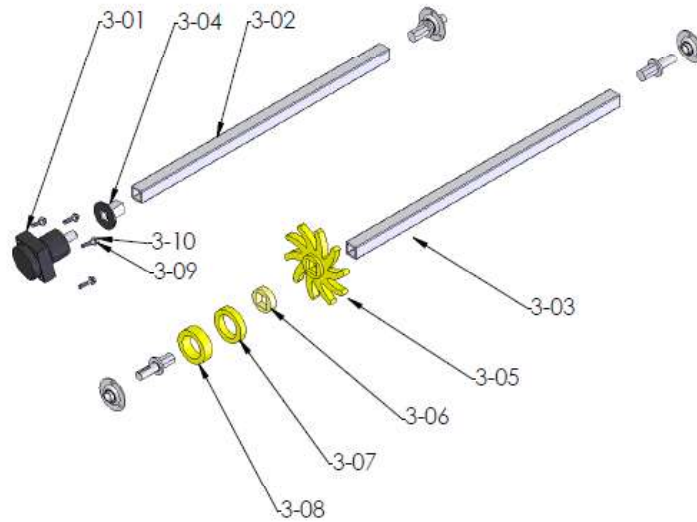


Article No	Part No	Description
1-01	GY101-060	2 Rotor Left Side Cover Plate
	GY101-062	3 Rotor Left Side Cover Plate
	GY101-064	4 Rotor Left Side Cover Plate
1-02	GY101-061	2 Rotor Right Side Cover Plate
	GY101-063	3 Rotor Right Side Cover Plate
	GY101-065	4 Rotor Right Side Cover Plate
1-03	GY100-062	M6 Socket Countersunk Screw
1-04	GY100-063	M6 Nut Insert

Drive Line



Article No	Part No	Description
2-01	GY200-012	Belt Pulley 2-50
	GY200-011	Belt Pulley 3-80
	GY200-010	Belt Pulley 3-120, 4-100, 4-120
2-02	GY200-015	Taper Lock
2-03	GY200-022	Carbon Belt 2-50
	GY200-021	Carbon Belt 3-80
	GY200-020	Carbon Belt 3-120, 4-100, 4-120
2-04	GY200-030	Bearing
2-05	GY200-031	Stub Shaft 3-120, 4-100, 4-120
	GY200-032	Stub Shaft 2-50, 3-80
	GY200-033	Short Stub Shaft
2-06	GY200-050	Rosta Belt Adjuster
2-07	GY200-040	Bearing Support Plate
2-08	GY200-051	Belt Adjuster Plate
2-09	GY100-069	M8 x 20 Socket Countersunk Screw
2-10	GY100-067	M8 Flange Nut
2-11	GY100-068	M8 x 16 Socket Cap Screw
2-12	GY100-070	M8 x 25 Socket Countersunk Screw
2-13	GY200-049	Key 8mm x 8mm



Article No	Part No	Description
3-01	GY100-022	Hyd Motor 2-50
	GY100-020	Hyd Motor 3-80
	GY100-021	Hyd Motor 3-120, 4-100
	GY100-023	Hyd Motor 4-100HE
	GY100-024	Hyd Motor 4-120HE
3-02	GY100-043	Rotor Shaft (Motor Pickup) 2-50
	GY100-045	Rotor Shaft (Motor Pickup) 3-80
	GY100-047	Rotor Shaft (Motor Pickup) 4-100
	GY100-051	Rotor Shaft (Motor Pickup) 3-120, 4-120
3-03	GY100-042	Rotor Shaft 2-50
	GY100-044	Rotor Shaft 3-80
	GY100-048	Rotor Shaft 4-100
	GY100-051	Rotor Shaft 3-120, 4-120
3-04	GY100-041	SAE Drive Coupling 2-50, 3-80
	GY100-040	SAE Drive Coupling 3-120, 4-100, 4-120
	GY100-056	Poly Star
3-05	GY100-056	Poly Star
3-06	GY100-057	Shaft Spacer 20mm
3-07	GY100-053	Star Spacer Ring 20mm
3-08	GY100-052	Star Spacer Ring 30mm
3-09	GY100-064	M10 Socket Cap Screw 2-50, 3-80, 3-120, 4-100
	GY100-072	M12 Socket Cap Screw 4-100HE, 4-120HE
3-10	GY100-061	S10 Lock Washer
	GY100-074	S12 Lock Washer