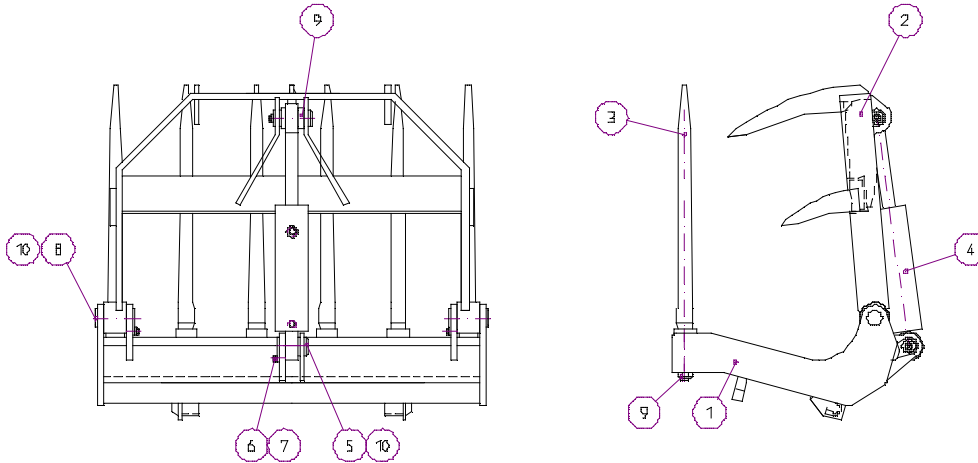


A31512 SILAGE FORK HD 900 MM

PARTS LIST



ASIAKAS TILAA ERIKSEEN LETKUSARJAN:
 - A44701 NDRMAALIPIUMKONEESEEN, TAI
 - A45866 ZOOM-PIUMKONEESEEN

QTY	Part No	Qty	Title 1	Title 2	Title 3	Title 4
4	72798	4	RASYANPPA DN 71412	R1/8" SUORA		
2	A43083	2	VÄLIKILLO			ZOOM-PIUMI
3	A44227	3	NIIVELTAPPI HTS, KP L=94			ERIKKOINNTYÖLEIY
4	63944	4	ALUSLEVYVAH N 8	NL8SP NORDLOCK LINA	PS,21*10,6/2,5	
4	72130	4	KUUSIKORJUUTIN	M 8* 20 DIN 933		
1	A43565	1	MONITONKALHAN TAPPI	F HTS, KP L=80		MONITONKALHA
1	A43672	1	HYDRSYL 63/32-150	LNIN-380 NIIVELF30	R3/8"	
6	63990	6	RIIKO KVERNELAND	Z2193 L=680 MM		REHUPEIKKURI
1	A21018	1	YLÄKILLO			REHUPEHTI HD 900
1	A21072	1	ALUKILO			REHUPEHTI HD 900

Part	Part No	Qty	Title 1	Title 2	Title 3	Title 4
Tolerances	Shimsing	SFS 4002	Surface coating			Material code
	Machining	SFS 4011 keski				Plu. part
	Welding	SFS 3393 B				<input type="checkbox"/>
Date	Designed	Scale	1:7,5	Joins		Material brt:
26.05.-02	RO					Replaces
						Replaced by
						Art No
						Part No 2603-07-1836
						A31512 A

85-D8	RO	OSA 1 OLLI A21018	A
Pvm.	Muutaja	Muutos	Lkm. Merkki

Pos.	Part no.	Designation	pcs
1	A21072	Lower part (fork)	1
2	A21018	Upper part (grab)	1
3	63990	Tine Kverneland L=680	6
4	A43672	Hydr. cylinder 63/32-150	1
5	A43565	Pivot pin L=80	1
6	72130	Hexagonal screw M8* 20 DIN 933	4
7	63944	Washer Nordlock NL8SP	4
8	A44227	Pivot pin L=94	3
9	A43083	Bushing	2
10	74685	Hexagonal nut M20 Nyloc DIN 985	6
11	A44701	Hose kit, standard boom	1
12	72798	Grease nipple R1/8" DIN 71412	4