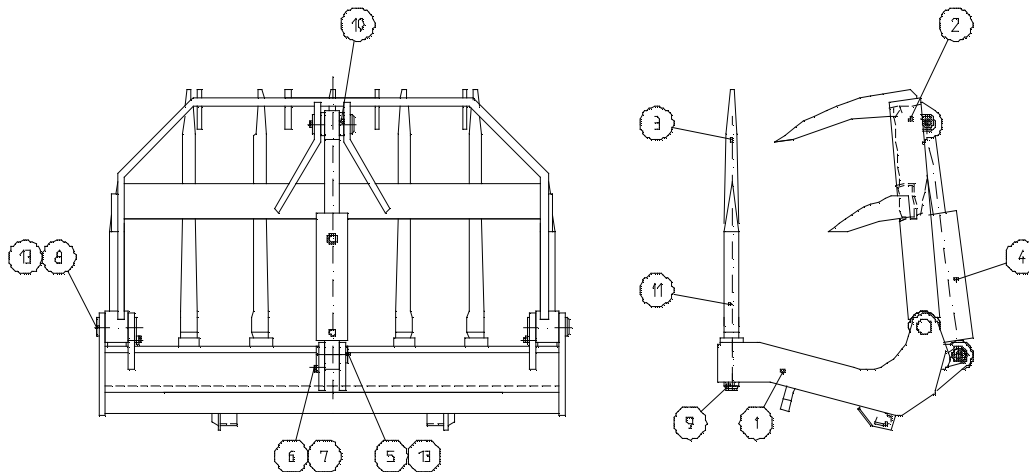


## A31519 SILAGE FORK HD 1050 MM

### PARTS LIST



13	72798	4	RASVANPÄÄ DIN 71412	R1/8" SUORA			
12	A44701	1	LETKUSARJA				REHUPTI HD
11	A44511	2	PIIKI				REHUPTI HD
10	A43083	2	VÄLIKOKKI				ZOOM-FLOM
9	74685	7	KUUSIKOLTTERI NYLOC	M20*15 DIN 985 ZN			
8	A44227	3	NIVELTAPPI HTS. KP	L=94			PIKÄNNITYSLIIVY
7	63944	4	ALLUSLEVYPÄS M 8	NL8SP NORDLOCK UIMA	F8,2/F16,6/Z5		
6	72130	4	KUUSIKORVU	M 8* 20 DIN 933 ZN			
5	A43565	1	MONITONKALVAN TAPPI	HTS. KP. L=80			MONITONKALVA
4	A43672	1	HYDRSYL. F63/F32-150	LMN=180 NIVELLEB	R3/4"		
3	63990	5	PIIKI KVERNELAND	Z21093 L=680 MM			REHUERIKKI
2	A21005	1	YLAOSAA				REHUPTI HD 1050
1	A21004	1	ALUO				REHUPTI HD 1050

Part	Part No	Qty	Title 1	Title 2	Title 3	Title 4
Tolerances	Stamping	SPS 4012	Surface coating			
	Machining	SPS 4011 keski				
	Welding	SPS 3003 B				
Date	Designed		Scale	Joins	Material Inf.	
26.06.-02	RQ		1 : 1,5		Replaces	Replaced by
			Title		Art No	Part No
			REHUPTI HD 1050			1301-03 B, B
			Article		A31519	
			REHUPTI HD 1050			

Pos.	Part no.	Designation	pcs
1	A21004	Lower part (fork)	1
2	A21005	Upper part (grab)	1
3	63990	Tine Kverneland L=680	5
4	A43672	Hydr. cylinder 63/32-150	1
5	A43565	Pivot pin L=80	1
6	72130	Hexagonal screw M8* 20 DIN 933	4
7	63944	Washer Nordlock NL8SP	4
8	A44227	Pivot pin L=94	3
9	74685	Hexagonal nut M20 Nyloc DIN 985	7
10	A43083	Bushing	2
11	A44511	Tine, short	2
12	A44701	Hose kit, standard boom	1
13	72798	Grease nipple R1/8" DIN 71412	4