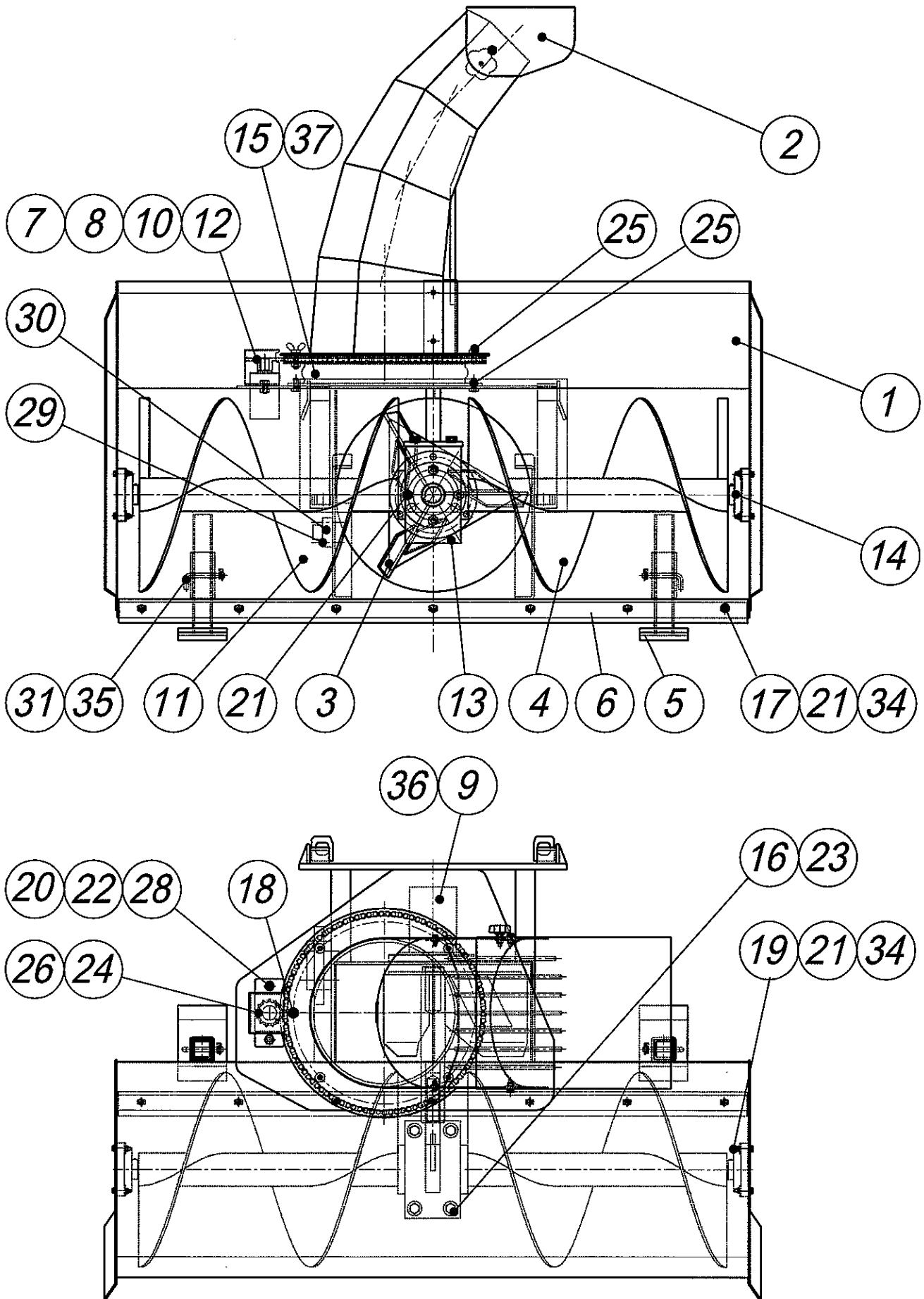


SAMI LUMEPUHUR 1350
SNOW BLOWER 1350



SNOW BLOWER 1350

37	226.008*	GEAR RING	1	VERSION 1	NO POS.37!		
36	DIN912	SCREW M8x35 12.9	4				
35	Art.7602	FORELOCK ϕ 4,5	2				
34	DIN125	WASHER 12	25				
33	DIN7991	SCREW M10x30	4				
32	226.900	HYDRAULIC	1				
31	226.030	STOPPER	2				
30		VALVE	1		AD3E01CL3		
29	DIN912	SCREW M5x35	4				
28	DIN933	SCREW M8x20	2				
27	DIN985	MUTTER M10 Nyloc	10				
26	DIN912	WASHER M6x12	4				
25	DIN933	SCREW M10x35	6				
24	DIN9021	WASHER 6,4x18x1,6	1				
23	DIN125	WASHER 10	20				
22	DIN125	WASHER 8	4				
21	DIN985	FEM. SCREW M12 Nyloc	17				
20	DIN985	FEM. SCREW M8 Nyloc	2				
19	DIN933	SCREW M12x35	8				
18	DIN316	SCREW M8x25	1				
17	DIN603	SCREW M12x30	7				
16	DIN933	SCREW M10x30	4				
15	226.003*	BEARING	1	VERSION 1	226.020		7,00
14	UCF206	BEARING	2				1,50
13		GEAR BOX TIPO 2021	1		S2021390G211		
12	226.009*	GEAR RING	1	VERSION 1	226.002	1,18	
11	226.420	SPIRAL, RIGHT	1			12,00	
10		H. MOTOR BGM32	1	ϕ 16	SAMHYDR.		2,15
9		H. MOTOR MR50CD/4	1	ϕ 25	M+S HYDR.		10,30
8	226.011*	FRAME	1	VERSION 1	226.011A	0,17	
7	226.010	FRAME	1			0,41	
6	226.006	CUTTING EDGE	1			8,19	
5	226.500	SUPPORT	2			1,27	
4	226.410	SPIRAL, LEFT	1			12,00	
3	226.300	ROTOR	1			11,38	
2	226.200	DISCHARGE CHUTE	1			15,44	
1	226.100	MAIN BODY	1			93,36	
Pos. nr.	Joon. nr.	Nimetus	Arv	Materj. mark	Tooriku m \ddot{o} õdud (mm)	Toorik	Puhas Mass kokku