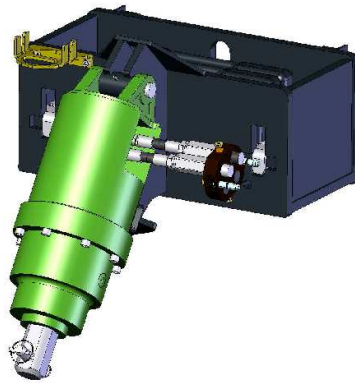


AVANT[®]

VARAOSAKIRJA
PART LIST
DELLISTA
ERSATZTEILLISTE



Kantoporan pyöritysyksikkö
Tree stump auger drill
Trastubborr augertor
Baumstumpfbohrgerät

23.3.2015

REV. A

A33571

24.9.2015

Manufacturer:

AVANT[®]

AVANT TECNO OY

e-mail: sales@avanttecono.com

Ylötie 1

33470 Ylöjärvi

FINLAND

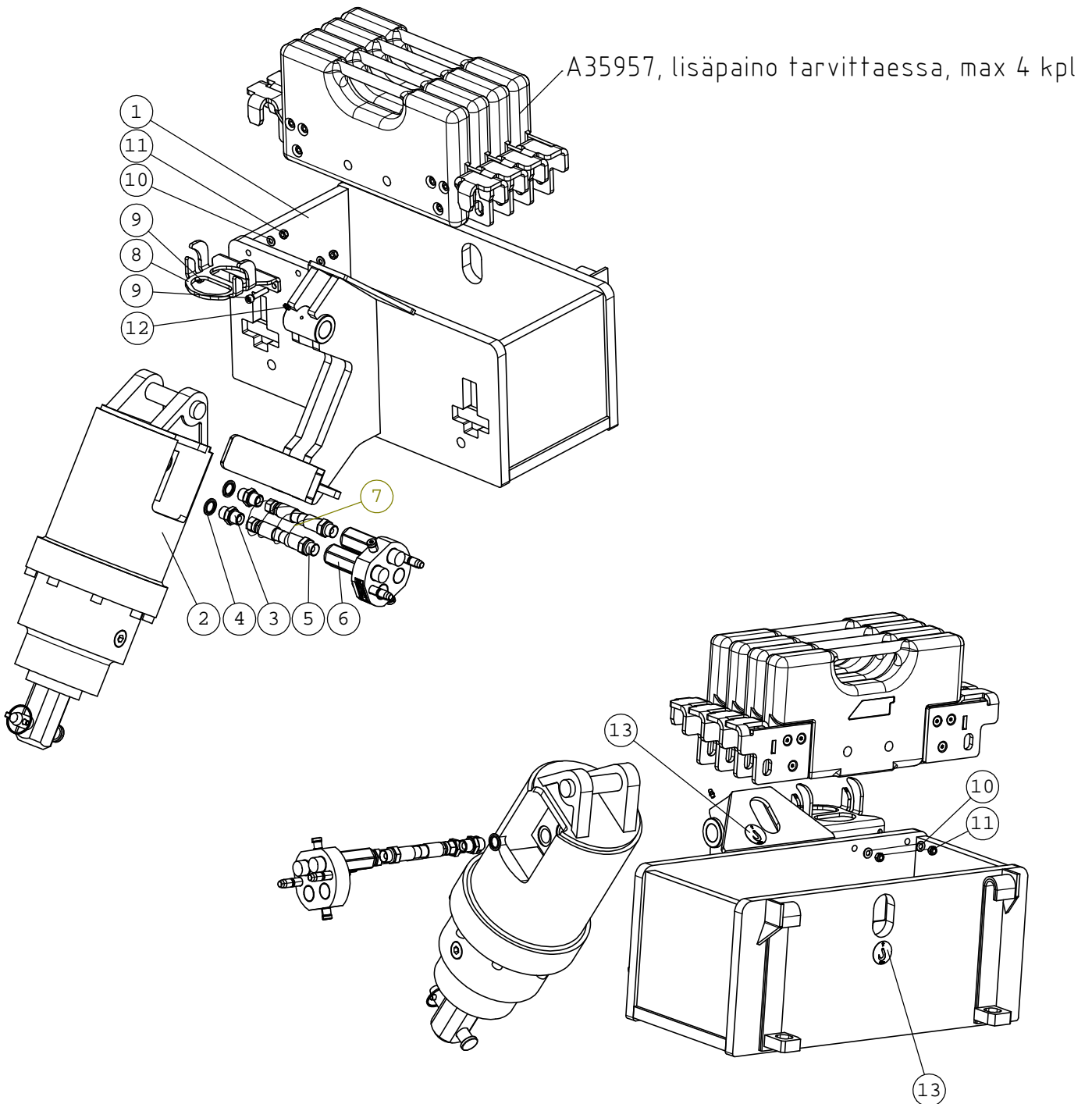
Tel. +358 3 347 8800

Fax +358 3 348 5511

www.avanttecono.com

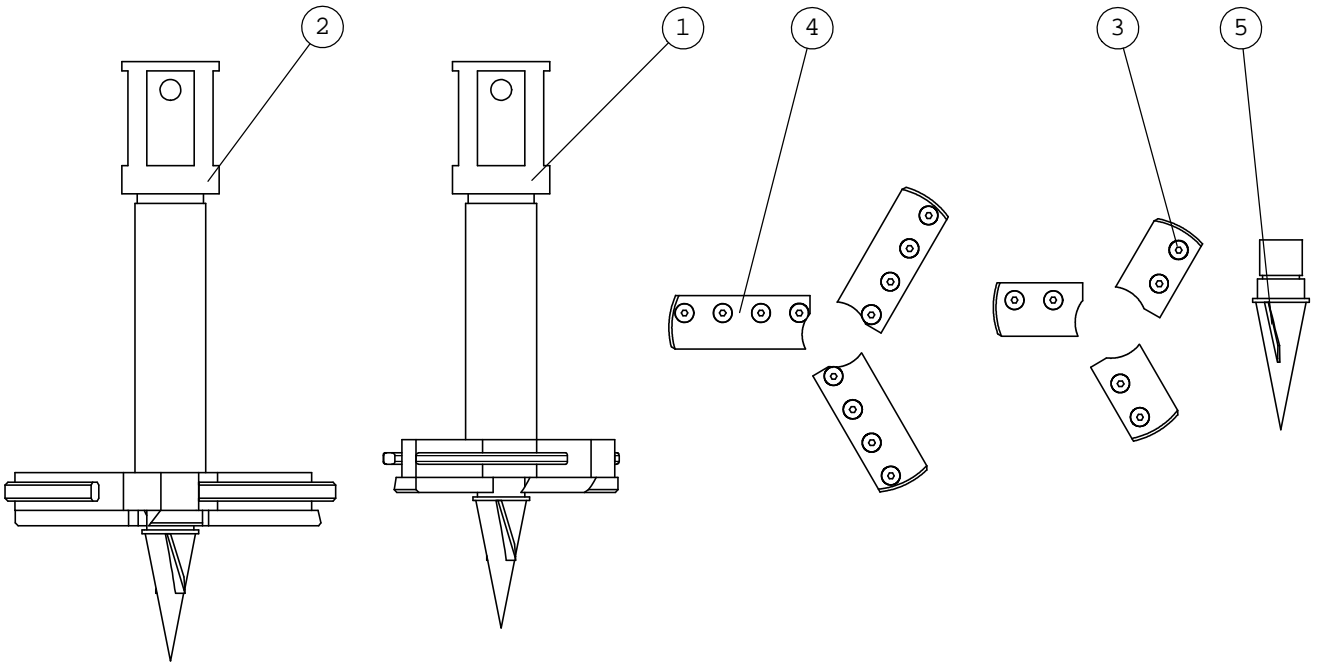
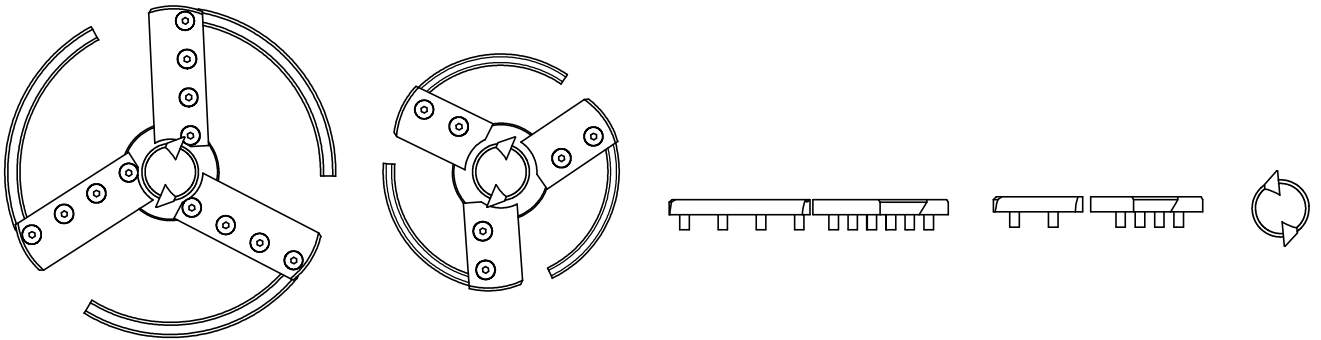
A33571 KANTOPORAN PYÖRITYSYKSIKKÖ KP

| NRO REF POS TEIL | OSAN NRO PART NO BESTÄLL.NR BEST.NR | KPL QTY ST ST | NIMITYS | DESCRIPTION | BENÄMNING | BEZEICHNUNG |
|---------------------------|--|------------------------|----------------------|----------------------|----------------------|-----------------------|
| 1 | A36511 | 1 | ADAPTERI | MOUNTING BRACKET, ST | FÄSTE, TRÄSTUBBORR A | AUFNAHME, BAUMSTUMPF |
| 2 | 66143 | 1 | MAAPORAN PYÖRITYSYKS | AUGER DRIVE UNIT XHD | JORDBORR XHD92 UTAN | ERDBOHRGERÄT XHD92 0 |
| 3 | 73414 | 2 | KAKSOISNIPPA R1/2"UK | UNION ADAPTER R1/2"U | DUBBELNIPPEL R1/2"U | GERADER STÜTZE R1/2 |
| 4 | 73047 | 2 | USIT-TIIVISTE R1/2" | USIT SEAL RING R/12" | USIT-PACKNING 1/2" F | USIT-DICHTUNGSSCHEIB |
| 5 | a415596 | 2 | HYDR.LETKU L=1500 | HYDR. HOSE L=1500 | HYDRAULSLANG L=1500 | HYDR. SCHLAUCH L=1500 |
| 6 | 65251 | 1 | PIKALIITINRYHMÄ | MULTI CONNECTOR, 2 C | FLERKOPPLING, 2 KOPP | MULTI-KUPPLUNG, 2 KU |
| 7 | a412416 | 1 | SUOJASPIRAALI SP-032 | HOSE PROTECTOR SPIRA | SLANGSKYDD, SPIRAL, | SCHLAUCHSCHUTZ SPIRA |
| 8 | a418927 | 1 | PIKALIITINRYHMÄN | PARKING FOR MULTI CO | HÄLLARE TILL FLERKOP | HALTERUNG FÜR MULTIK |
| 9 | 74918 | 2 | KUUSIÖKOLORUUVI | HEXAGONAL HEAD SCREW | SEXKANTHUVUDSKRUV M8 | INNEN-SECHSKANTSCHR. |
| 10 | 73122 | 2 | ALUSLEVY M 8 | WASHER M8 A8 | BRICKA M8 A8, | UNTERLEGSCHIBE M8 |
| 11 | 72320 | 2 | KUUSIÖMUTTERI ZN | NUT M8 NYLOC DIN 98 | SEXKANTMUTTER M8 NY | SECHSKANTMUTTER M 8 |
| 12 | 72799 | 1 | RASVANIPPA | GREASE NIPPLE M6 | SMÖRJNIPPEL M6 | SCHMIERNIPPEL M6 GER |
| 13 | a410132 | 2 | TARRA | DECAL "LIFTING POINT | DEKAL "LYFTPUNKT" | AUFKLEBER HEBEPUNKT |



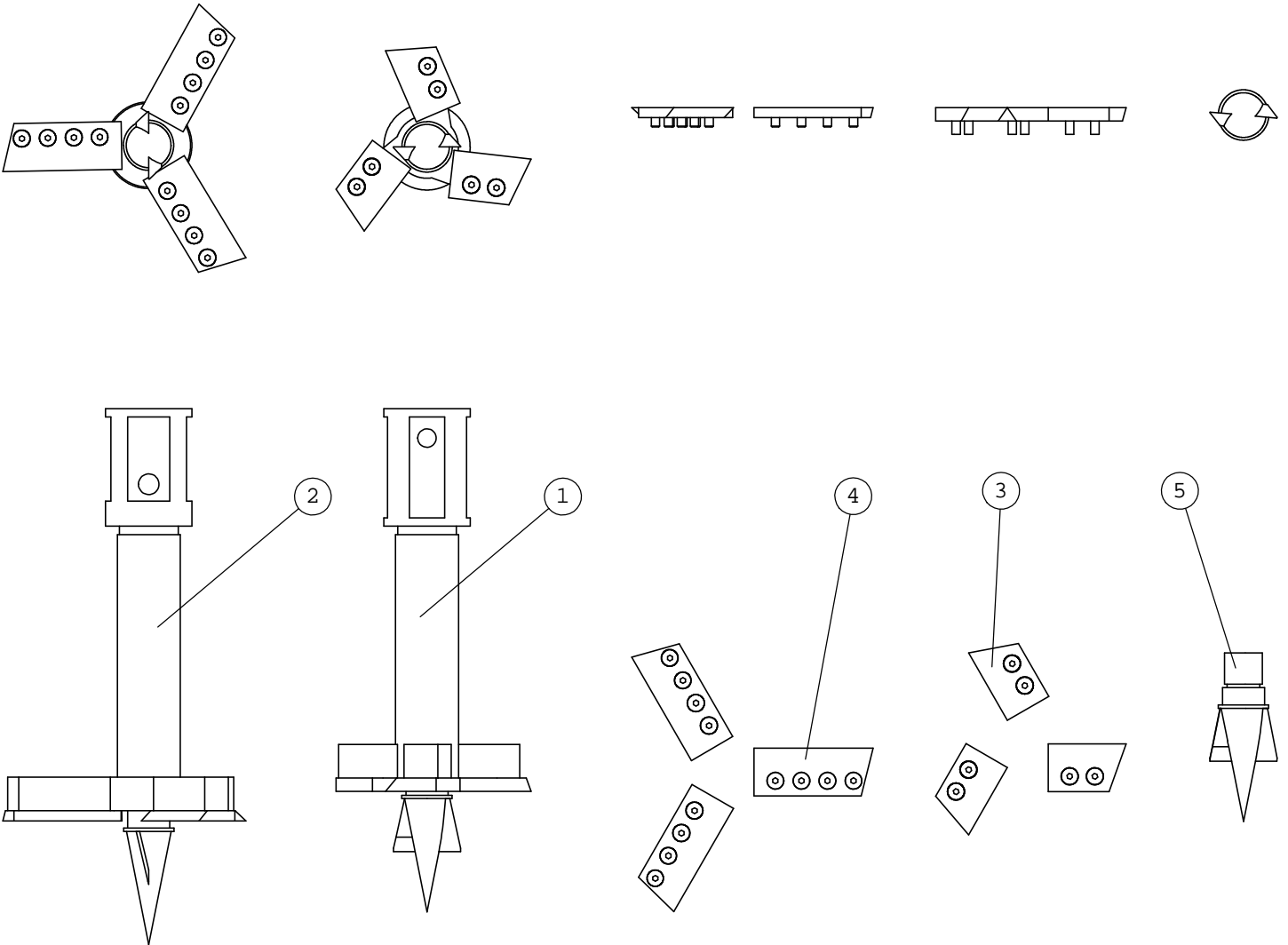
A36783 KANTOPORAN TERÄT, UJDET TERÄT

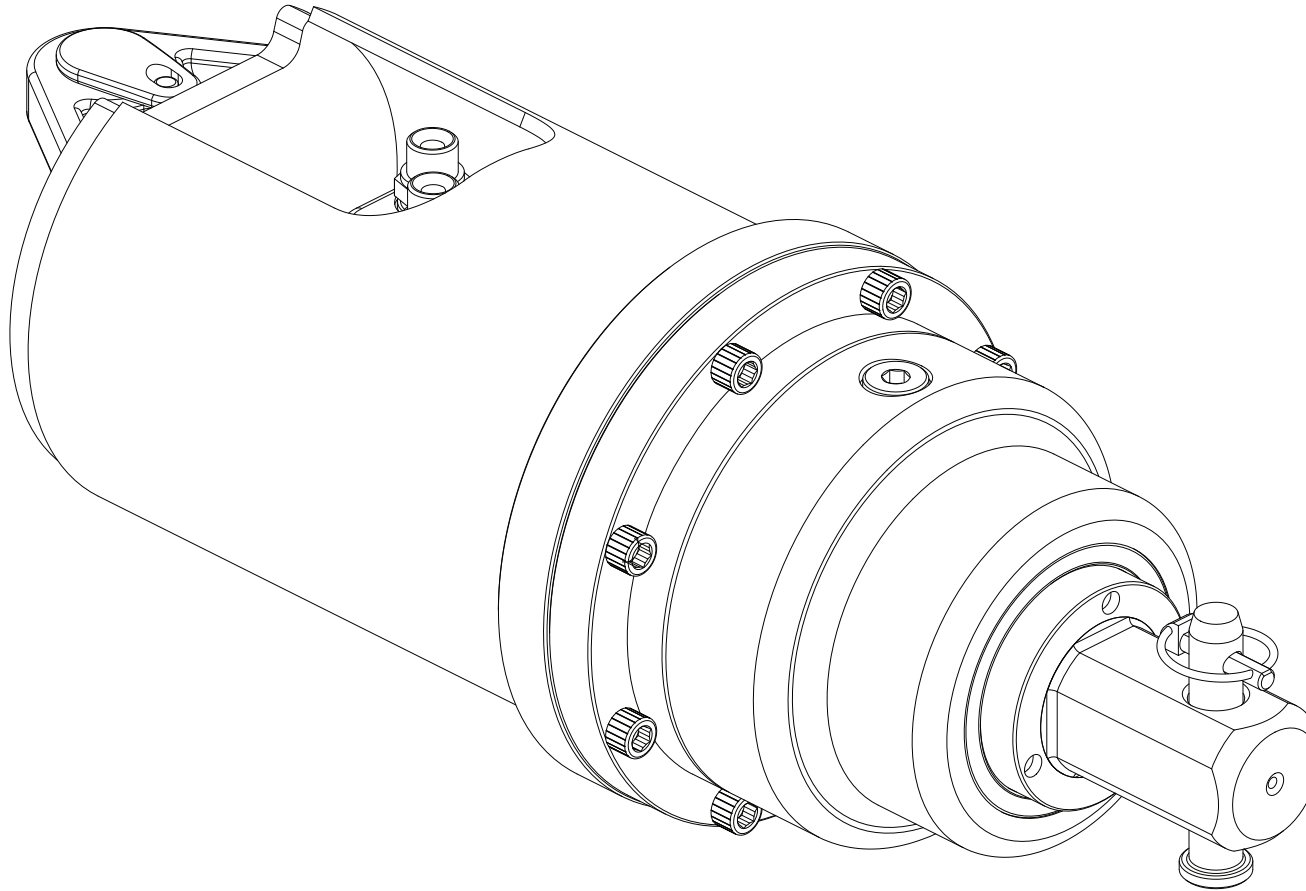
| NRO REF POS TEIL | OSAN NRO PART NO BESTÄLL.NR BEST.NR | KPL QTY ST ST | NIMITYS | DESCRIPTION | BENÄMNING | BEZEICHNUNG |
|---------------------------|--|------------------------|----------------------|----------------------|----------------------|----------------------|
| 1 | A36763 | 1 | KANTOPORAN TERA 250 | STUMP PLANER 250 MM, | BORRDEL 250 MM, NY M | BOHRER 250 MM, NEUES |
| 2 | A36764 | 1 | KANTOPORAN TERA 350 | STUMP PLANER 350 MM, | BORRDEL 350 MM, NY M | BOHRER 350 MM, NEUES |
| 3 | A36765 | 1 | TERÄSARJA | BLADES, KIT, 250 MM, | TANDSATS 250 MM, TRÄ | MESSERSATZ 250 MM, B |
| 4 | A36766 | 1 | TERÄSARJA | BLADES, KIT, 350 MM, | TANDSATS 350 MM, TRÄ | MESSERSATZ 350 MM, B |
| 5 | A33578 | 1 | CENTRE PILOT FOR STU | PILOT, STUMP PLANER | BORRSPETS, TRÄSTUBBO | BOHRSPITZE, BAUMSTUM |



A36784 KANTOPORAN TERÄT, VANHAT TERÄT

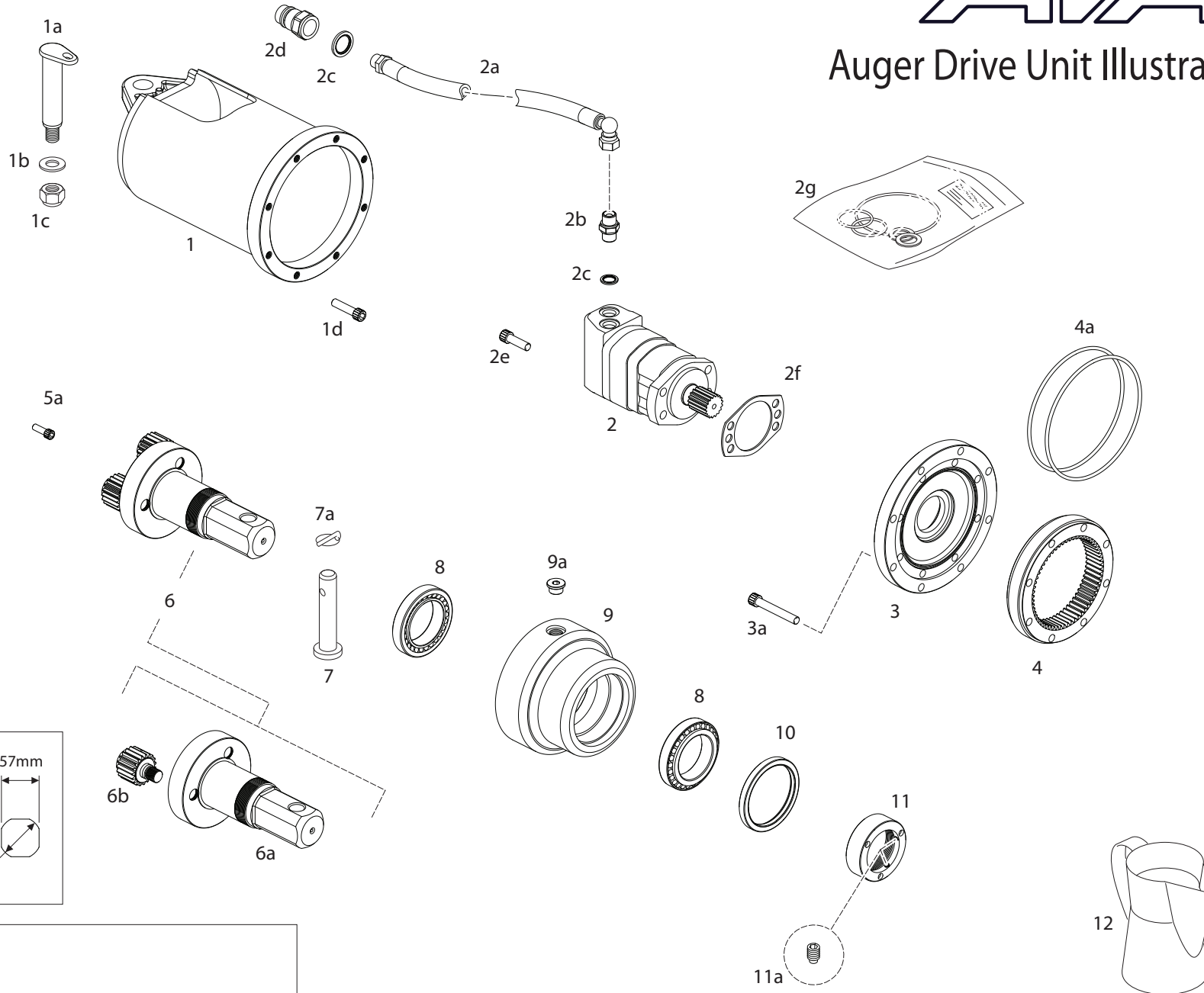
| NRO REF POS TEIL | OSAN NRO PART NO BESTÄLL.NR BEST.NR | KPL QTY ST ST | NIMITYS | DESCRIPTION | BENÄMNING | BEZEICHNUNG |
|---------------------------|--|------------------------|----------------------|----------------------|----------------------|----------------------|
| 1 | A33572 | 1 | STUMP PLANER 250 MM | STUMP PLANER 250 MM | BORRDEL 250 MM, TRÄS | BOHRER 250 MM, BAUMS |
| 2 | A33573 | 1 | STUMP PLANER 350 MM | STUMP PLANER 350 MM | BORRDEL 350 MM, TRÄS | BOHRER 350 MM, BAUMS |
| 3 | A33575 | 1 | BLADES FOR 250 MM ST | BLADE SET, STUMP PLA | TANDSATS, TRÄSTUBBOR | MESSERSATZ, BAUMSTUM |
| 4 | A33577 | 1 | BLADES FOR 350 MM ST | BLADE SET, STUMP PLA | TANDSATS, TRÄSTUBBOR | MESSERSATZ, BAUMSTUM |
| 5 | A33578 | 1 | CENTRE PILOT FOR STU | PILOT, STUMP PLANER | BORRSPETS, TRÄSTUBBO | BOHRSPITZE, BAUMSTUM |



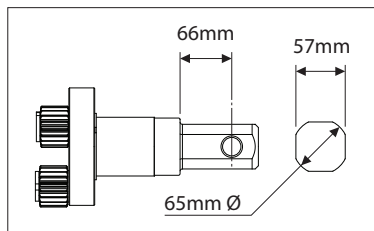


21-33612S
Models Covered:
HD92
Serial Nos: 330XXXX
July 2010 Issue 1

Auger Drive Unit Illustrated Parts List HD92



6
Complete assembly 21-3915
comprising items 6a & 6b



21-33612S
Models Covered:
HD92
Serial Nos: 330XXXX
July 2010 Issue 1



HD92 Auger Drive Unit Illustrated Parts List

| ITEM | PART No | QTY | DESCRIPTION | NOTES | ITEM | PART No | QTY | DESCRIPTION | NOTES |
|-----------|----------------|----------|------------------------------------|--------------------|-----------|----------------|----------|--------------------------------------|-------|
| 1 | 23-3901 | 1 | Hood Assembly | | 20 | 99-8214 | 1 | Loctite -641 Bearing Retainer | |
| 1a | 23-2904 | 1 | Hood Pin | | | | | | |
| 1b | 99-9157-Y | 1 | Washer M20 | | | | | | |
| 1c | 99-9187-Y | 1 | Nut Nyloc M20 | | | | | | |
| 1d | 99-9135-040-Y | 8 | Socket Cap Screw M12 x 40 | (17) | | | | | |
| 2 | 25-2310 | 1 | Motor | | | | | | |
| 2a | 99-7515 | 2 | Hose | (Includes 2b - 2c) | | | | | |
| 2b | 99-7013 | 2 | Adaptor | | | | | | |
| 2c | 99-7003 | 4 | Seal | | | | | | |
| 2d | 99-7061M | 2 | Coupling | | | | | | |
| 2e | 99-9135-035 | 4 | Socket Cap Screw M12 x 35 | (17) | | | | | |
| 2f | 99-1501 | 1 | Gasket | | | | | | |
| 2g | 25-2312 | 1 | Seal Kit | | | | | | |
| 3 | 21-3041 | 1 | Housing -Input | | | | | | |
| 3a | 99-9135-075 | 8 | Socket Cap Screw M12 x 75 | (17) | | | | | |
| 4 | 21-3004 | 1 | Ring Gear | | | | | | |
| 4a | 99-1532 | 2 | O Ring (162mm ID) | | | | | | |
| 5 | 21-3049 | 1 | Sun Gear | | | | | | |
| 5a | 99-9145-025 | 1 | Socket Cap Screw 3/8UNC x 1" | (17) | | | | | |
| 6 | 21-3915 | 1 | Shaft Assembly ----- | (Includes 6a & 6b) | | | | | |
| 6a | 21-3053 | 1 | Shaft | | | | | | |
| 6b | 21-4912 | 3 | Gear Assembly | (19) | | | | | |
| 7 | 30-0004 | 1 | Pin | | | | | | |
| 7a | 99-99020 | 1 | Clip | | | | | | |
| 8 | 99-1104 | 2 | Bearing -Taper | (16) & (20) | | | | | |
| 9 | 21-3018 | 1 | Housing -Output | | | | | | |
| 9a | 21-5071 | 2 | Plug 1/2" | | | | | | |
| 10 | 99-1504 | 1 | Seal -Oil | (16) & (18) | | | | | |
| 11 | 21-3019 | 1 | Locking Nut | (16) & (18) | | | | | |
| 11a | 99-9213-012 | 2 | Socket Set Screw M8 x 12 | (17) | | | | | |
| 12 | 99-8101 | 1 | Gear Oil EP320 1 Litre | Capacity 0.7L | | | | | |
| 13 | 99-5098 | 1 | Label -Avant | | | | | | |
| 14 | 99-5020 | 1 | Label -Caution | | | | | | |
| 15 | 99-51XX | 1 | Manual (State Language) | | | | | | |
| 16 | 99-8203 | 1 | Loctite -7471 Activator | | | | | | |
| 17 | 99-8205 | 1 | Loctite -243 Threadlocker | | | | | | |
| 18 | 99-8212 | 1 | Loctite -515 Flange Sealant | | | | | | |
| 19 | 99-8206 | 1 | Loctite -270 Threadlocker | | | | | | |