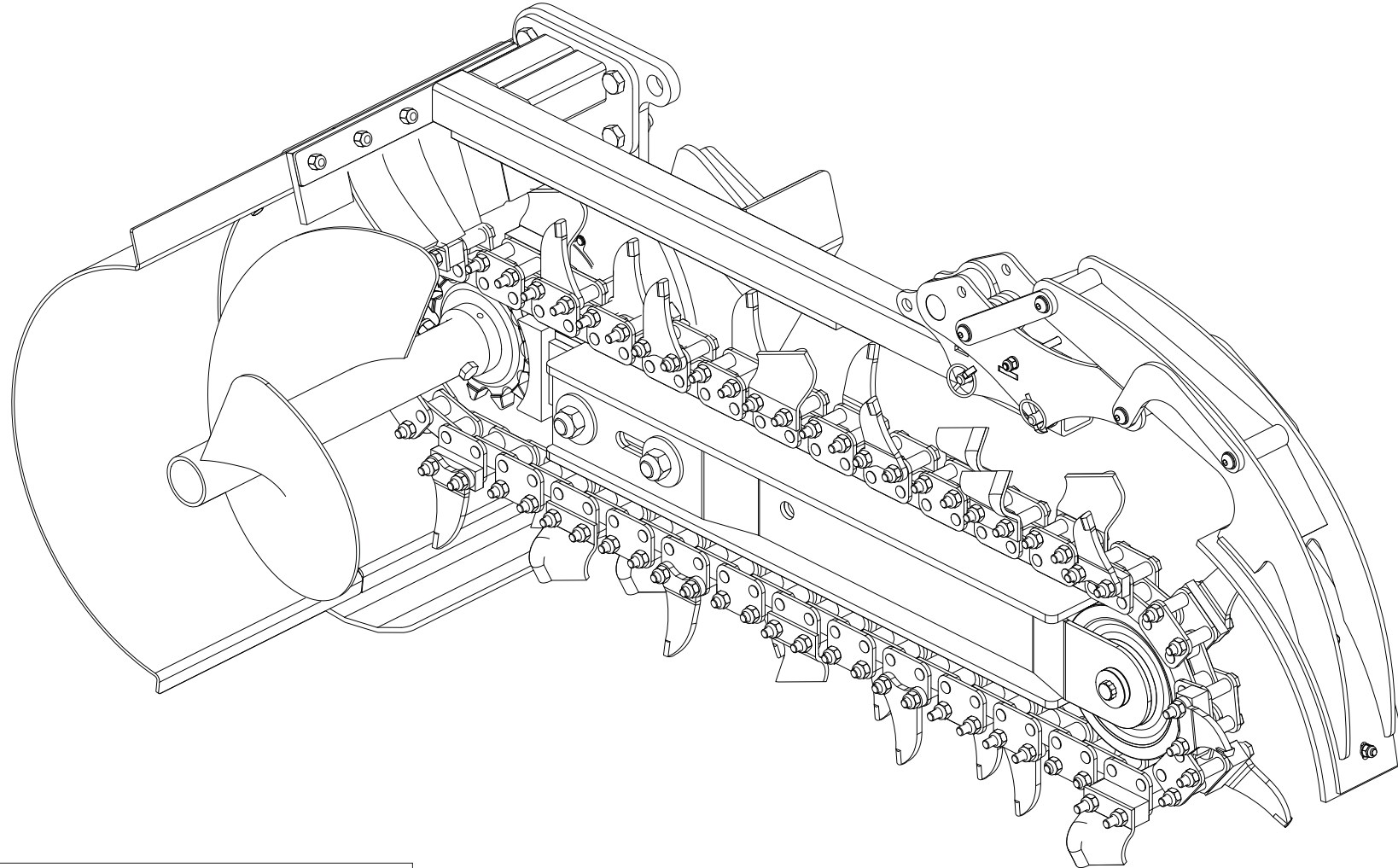


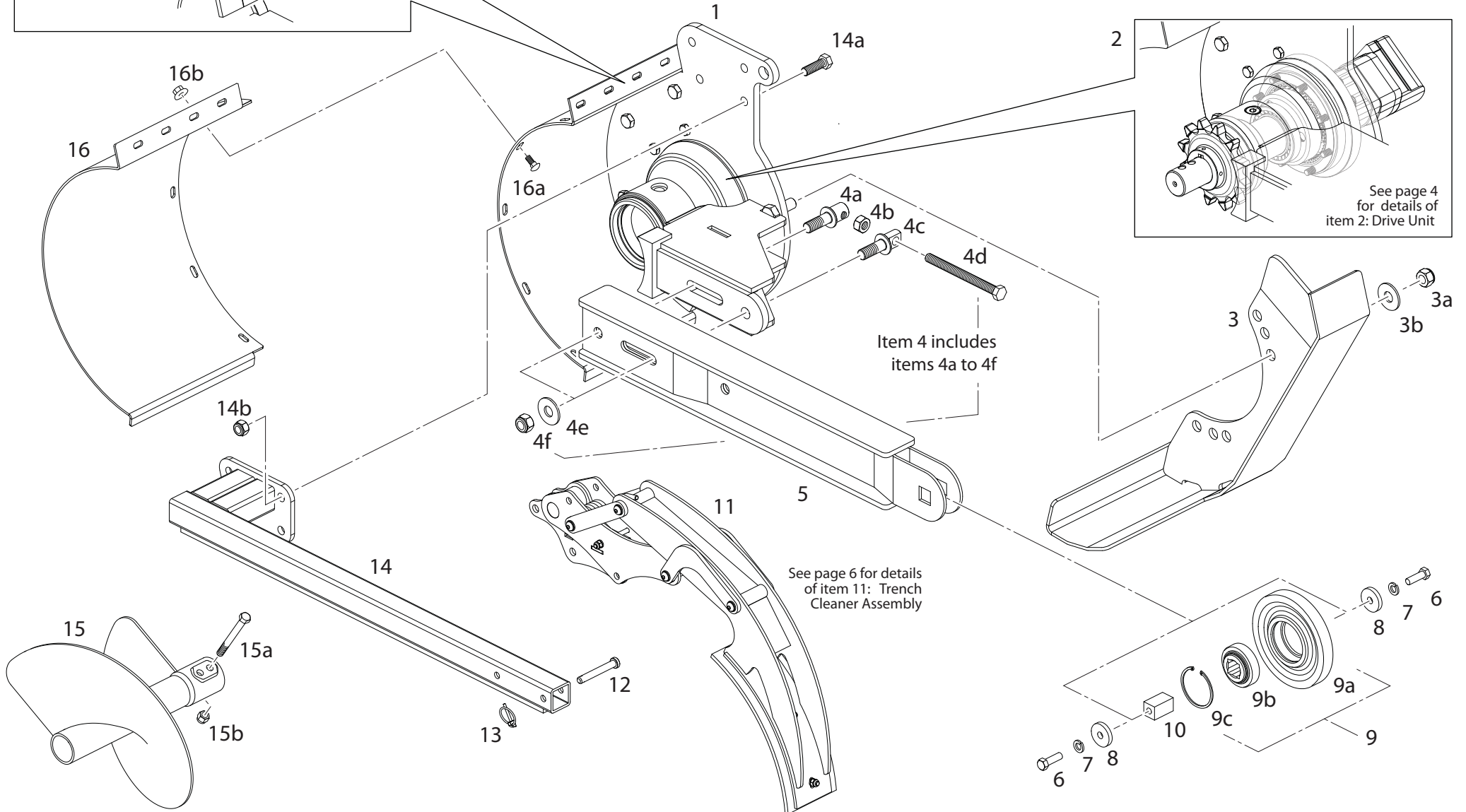
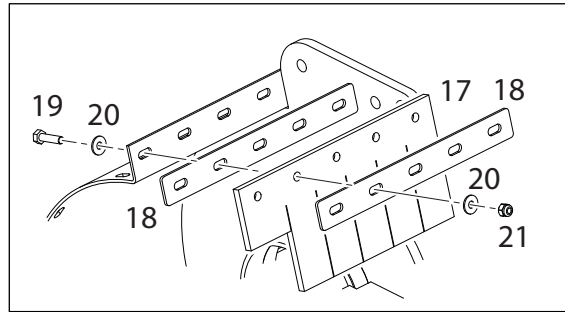
Mini Trencher Unit 3.86 : 1 Illustrated Parts List



Models Covered:
3.86 : 1 Drive Units

January 2009 Issue 1

Mini Trencher Unit 3.86 : 1 Illustrated Parts List



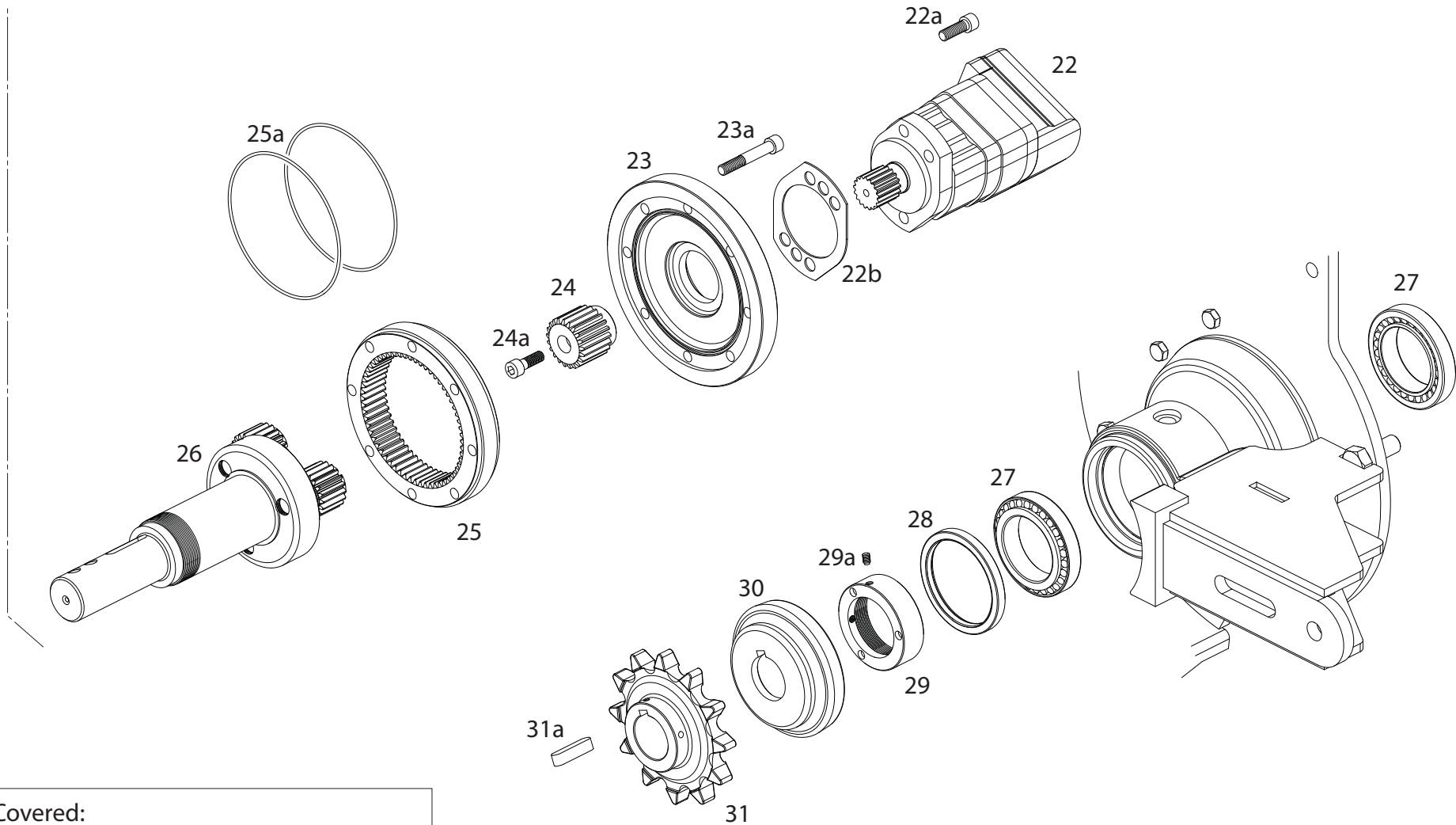


Mini Trencher Unit 3.86 : 1 Illustrated Parts List

ITEM	PART No	QTY	DESCRIPTION	NOTES	ITEM	PART No	QTY	DESCRIPTION	NOTES
1	42-1918	1	Trencher Body		19	99-9114-035	5	Bolt - M10 x 35	
2	21-3993	1	Drive Unit	See Page 4	20	99-9154	10	Washer - M10	
3	42-1901	1	Skid Plate		21	99-9184	5	Nut - Nylon Insert M10	
3a	99-9187	2	Nut -Nylon Insert M20						
3b	99-9157	2	Washer M20						
4	42-1902	1	Boom Adjuster Kit						
4a	42-1019	1	Bolt - Adjuster - Threaded						
4b	99-9176	1	Nut - Plain M16						
4c	42-1021	1	Bolt - Adjuster - Thru Hole						
4d	99-9126-180	1	Setscrew - M16 x 180						
4e	99-9157-P	2	Washer - Large Diameter M20						
4f	99-9187	2	Nut -Nylon Insert M20						
5	42-1905	1	Boom - 600mm Deep						
"	42-1907	1	Boom - 900mm Deep						
"	42-1914	1	Boom - 1200mm Deep						
6	99-9115-030	2	Bolt - M12 x 30						
7	99-9165	2	Washer - Spring						
8	42-1024	2	Washer						
9	42-1900	1	Nose Roller Assembly						
9a	42-1026	1	Nose Roller						
9b	99-1207	1	Bearing						
9c	99-1603	1	Circlip - Internal 80mm						
10	42-1025	1	Pin - Square						
11	42-1909	1	Trench Cleaner Assembly	See Page 6					
12	42-1055	2	Pin						
13	99-99021	2	Clip						
14	42-1906	1	Danger Bar - 600mm Deep						
"	42-1908	1	Danger Bar - 900mm Deep						
"	42-1915	1	Danger Bar - 1200mm Deep						
14a	99-9126-050	4	Setscrew - M16 x 50						
14b	99-9186	4	Nut - Nylon Insert M16						
15	42-1904	1	Auger						
15a	99-9115-100	1	Bolt - M12 x 100						
15b	99-9185	1	Nut - Nylon Insert M12						
16	42-1012	1	Guard						
16a	99-9204-020	5	Bolt - Coach M10 x 20						
16b	99-9194	5	Nut - Flanged M10						
17	42-1020	1	Chain Flap - Rubber						
18	42-1018	2	Plate						

Mini Trencher Unit 3.86 : 1 Illustrated Parts List

Item 2: Drive Unit
includes items 22 to 31a



Models Covered:
3.86 : 1 Drive Units

January 2009 Issue 1

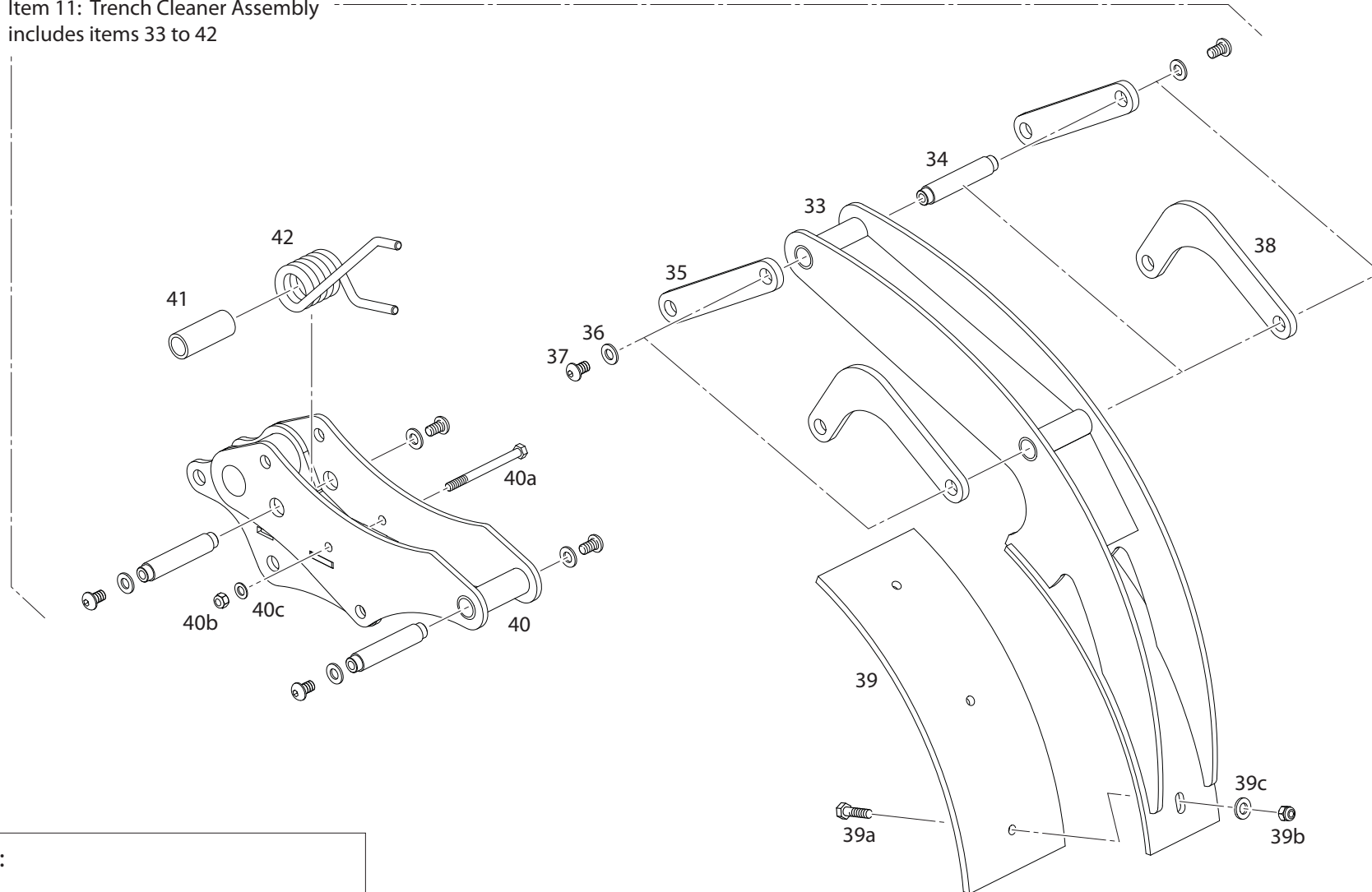


Mini Trencher Unit 3.86 : 1 Illustrated Parts List

ITEM	PART No	QTY	DESCRIPTION	NOTES	ITEM	PART No	QTY	DESCRIPTION	NOTES
2	21-3993	1	Drive Unit	Includes 22 to 31a					
22	25-2006	1	Motor						
22a	99-9135-035	4	Socket Cap Screw M12 x 35						
22b	99-1501	1	Gasket						
23	21-3057	1	Input Housing						
23a	99-9135-075	8	Socket Cap Screw M12 x 75						
24	21-3049	1	Sun Gear						
24a	99-9145-025	1	Socket Cap Screw 3/8" UNC x 1"						
25	21-3004	1	Ring Gear						
25a	99-1532	2	O Ring (162mm ID)						
26	21-3914-R	1	Shaft Assembly						
27	99-1104	2	Bearing Taper 75mm ID						
28	99-1504	1	Seal - Lip						
29	21-3019	1	Locking Nut						
29a	99-9213-012	1	Setscrew Dog M8 x 12						
30	42-1017	2	Seal Protector						
31	42-1033	1	Sprocket						
31a	42-1027	1	Key						
		1							

Mini Trencher Unit 3.86 : 1 Illustrated Parts List

Item 11: Trench Cleaner Assembly
includes items 33 to 42



Models Covered:
MT600/900
Serial Nos: 420XXXXX
October 2008 Issue 1



Mini Trencher Unit 3.86 : 1 Illustrated Parts List

ITEM	PART No	QTY	DESCRIPTION	NOTES	ITEM	PART No	QTY	DESCRIPTION	NOTES
11	42-1909	1	Trench Cleaner Assembly	Includes 33 to 42					
33	42-1913	1	Main Arm - Crumber						
34	42-1045	4	Pin - Link Pivot Tapped						
35	42-1046	2	Short Link						
36	99-9154	8	Washer - M10						
37	99-9134-016	8	Screw - Button Head M10 x 16						
38	42-1047	2	Long Link						
39	42-1057	1	Scraper - Plastic 4" Wide						
"	42-1029	1	Scraper - Plastic 5" Wide						
"	42-1058	1	Scraper - Plastic 6" Wide						
"	42-1030	1	Scraper - Plastic 7.5" Wide						
39a	99-9113-035	3	Bolt - M8 x 35						
39b	99-9183	3	Nut - Nyloc M8						
39c	99-9153	3	Washer M8						
40	42-1912	1	Crumber Bar Pivot						
40a	99-9113-090	1	Bolt - M8 x 90						
40b	99-9183	1	Nut - Nyloc M8						
40c	99-9153	1	Washer - M8						
41	42-1056	1	Spring Bush						
42	42-1040	1	Spring						