

TITLE
MINI TRENCHER

DATE
 10/10/05

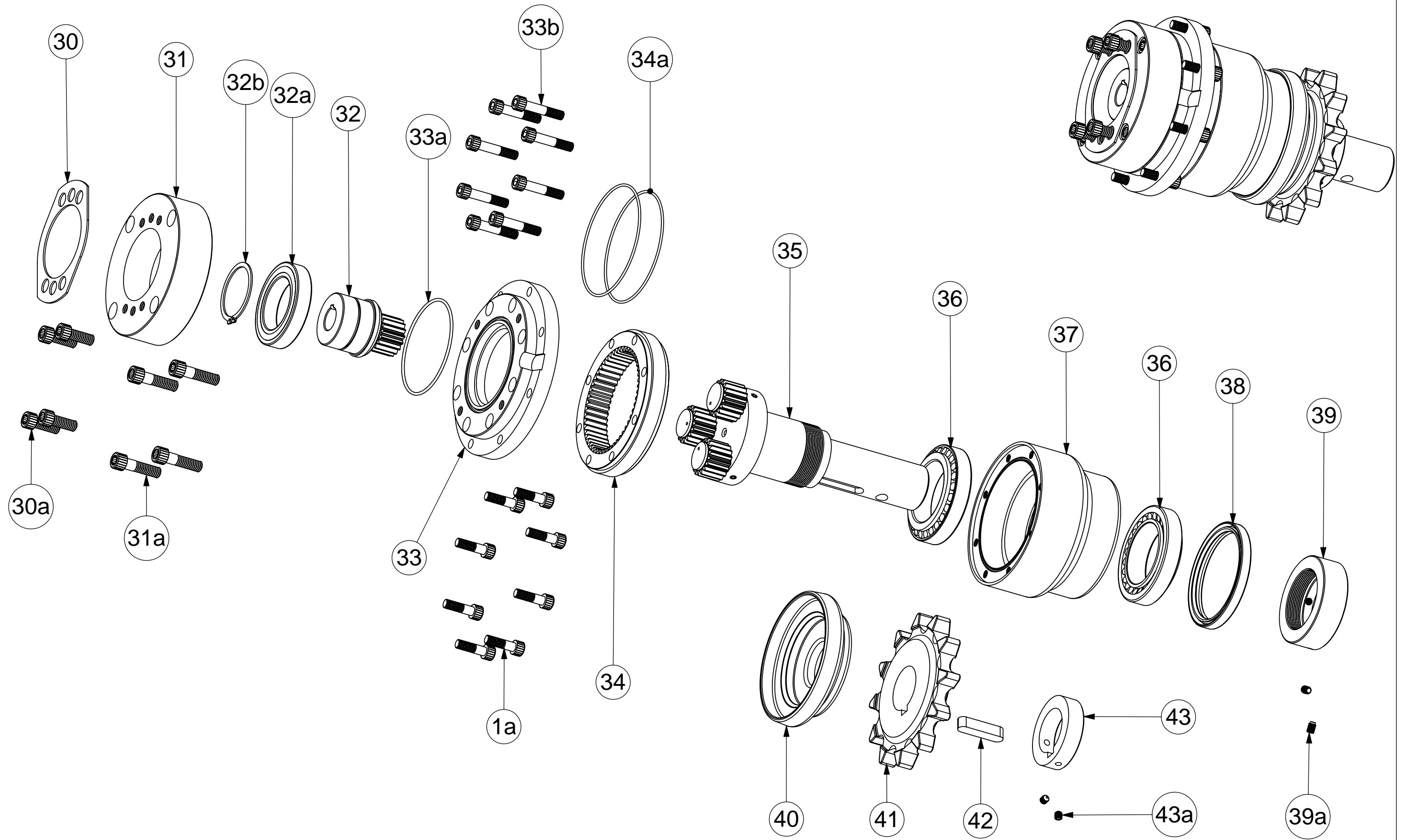
REVISION
 1



CONFIDENTIAL

THIS DRAWING IS SUPPLIED ON THE UNDERSTANDING THAT IT NOR THE INFORMATION CONTAINED THEREIN BE DIVULGED TO THIRD PARTIES WITHOUT THE WRITTEN PERMISSION OF AUGER TORQUE EUROPE LTD

21-2910 - DRIVE SUB ASSEMBLY



TITLE
21-2910 - Drive Sub-Assembly

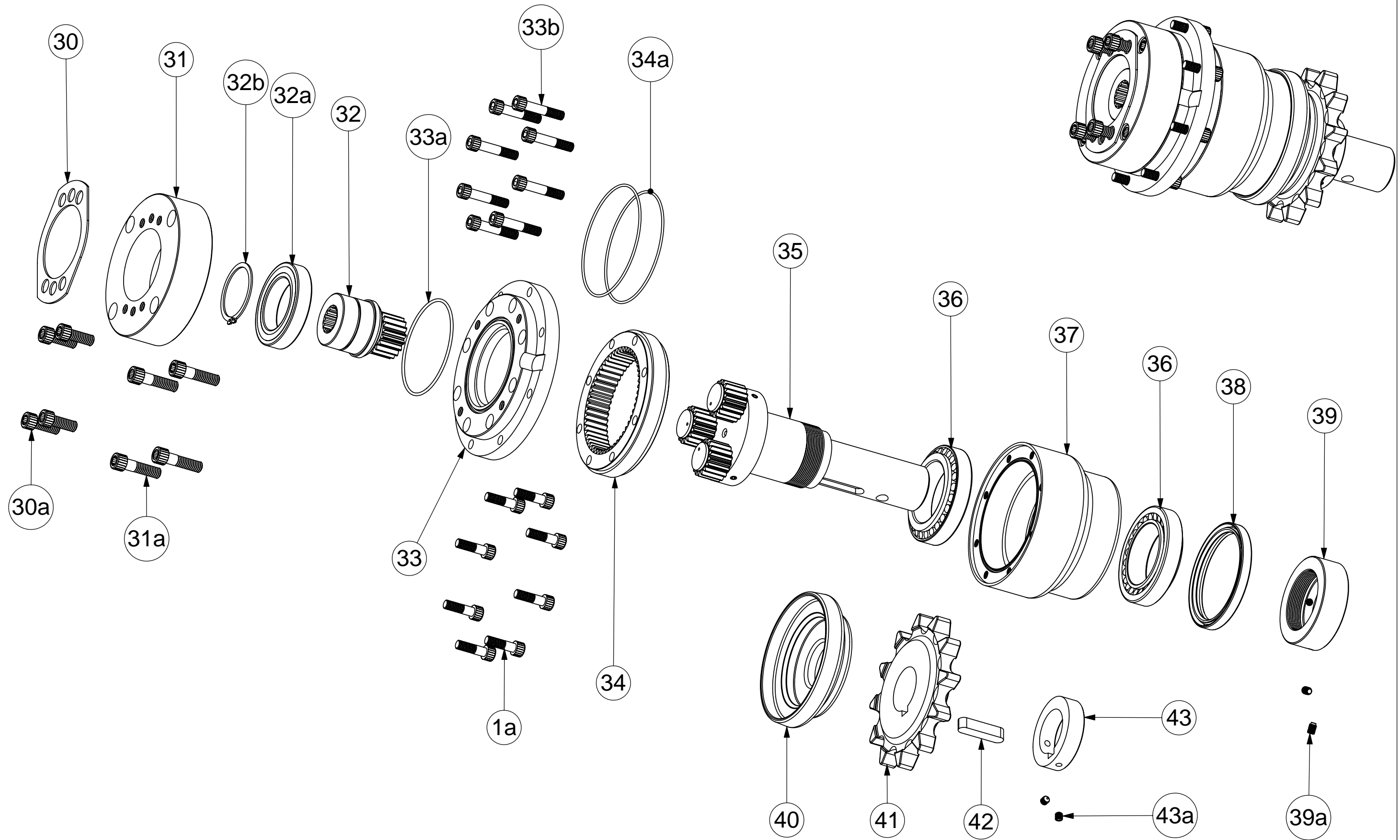
DATE
 01/03/06
 REVISION
 2



CONFIDENTIAL

THIS DRAWING IS SUPPLIED ON THE UNDERSTANDING THAT IT NOR THE INFORMATION CONTAINED THEREIN BE DIVULGED TO THIRD PARTIES WITHOUT THE WRITTEN PERMISSION OF AUGER TORQUE EUROPE LTD

21-2911 - DRIVE SUB ASSEMBLY



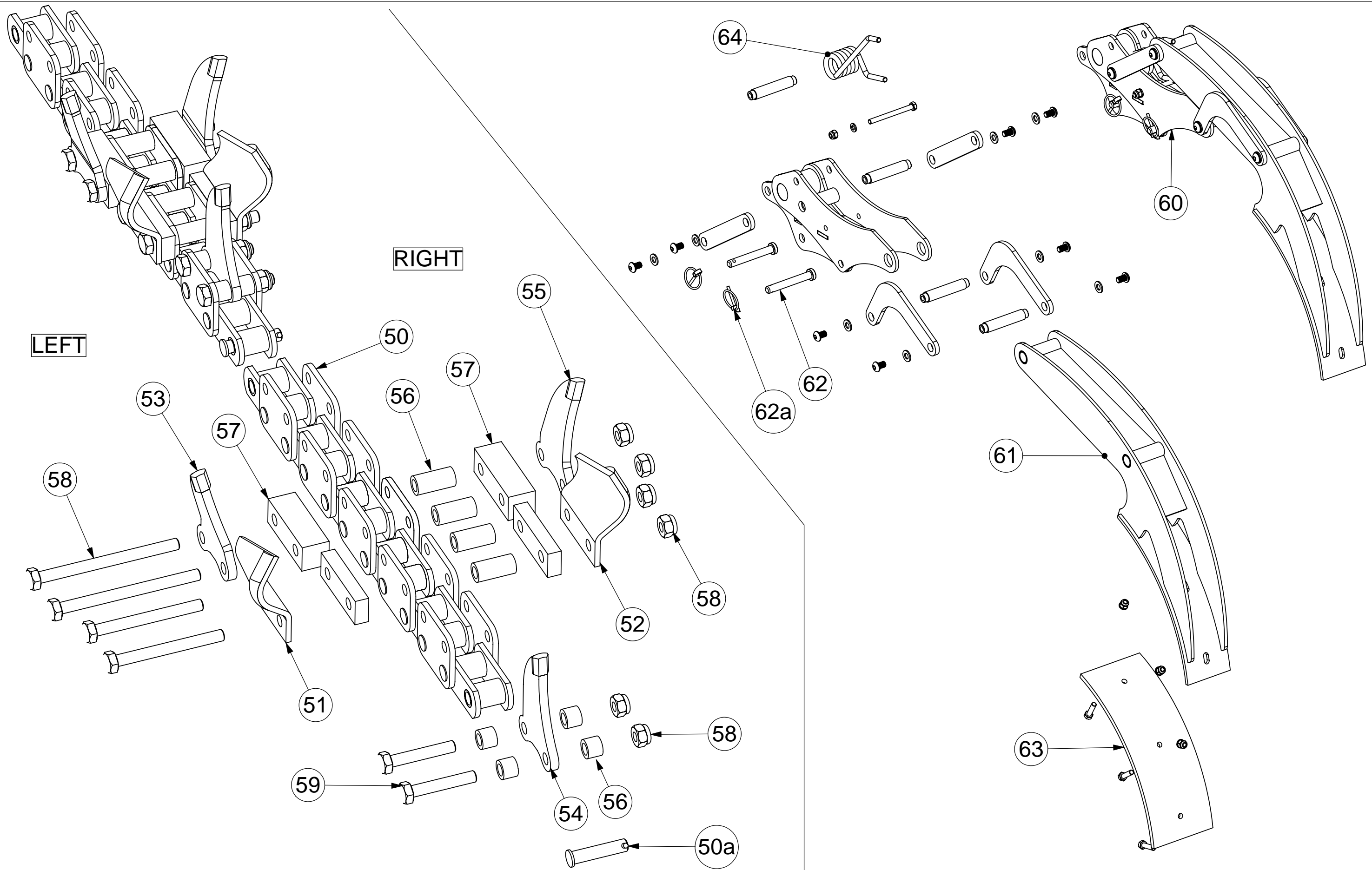
TITLE
21-2911 - Drive Sub-Assembly

DATE
 01/03/06
 REVISION
 2



CONFIDENTIAL

THIS DRAWING IS SUPPLIED ON THE UNDERSTANDING THAT IT NOR THE INFORMATION CONTAINED THEREIN BE DIVULGED TO THIRD PARTIES WITHOUT THE WRITTEN PERMISSION OF AUGER TORQUE EUROPE LTD



TITLE
MINI-TRENCHER

DATE
 01/03/07

REVISION
 1



CONFIDENTIAL

THIS DRAWING IS SUPPLIED ON THE UNDERSTANDING THAT IT NOR THE INFORMATION CONTAINED THEREIN BE DIVULGED TO THIRD PARTIES WITHOUT THE WRITTEN PERMISSION OF AUGER TORQUE EUROPE LTD

MINI-TRENCHER - PARTS LIST

ITEM	QTY	PART No.	DESCRIPTION	NOTES
1	1	-----	DRIVE UNIT	SEE PAGE 2 OR 3
2	1	25-1002	HYDRAULIC MOTOR	For use with Drive 21-2910 (Page 2)
	1	25-2203	HYDRAULIC MOTOR	For use with Drive 21-2911 (Page 3)
3	1	42-1903	TRENCHER MAIN BODY	
4	1	42-1012	GUARD - BOLT-ON	
4a	5	99-9204-020	Coach Bolt - M10 x 20	Bolt-on Guard
4b	5	99-9184	M10 - Nyloc Nut	Bolt-on Guard
4c	5	99-9154	M10 - Washer	Bolt-on Guard
5	1	42-1904	AUGER	
5a	1	99-9115-100	M12 x 100 Bolt	Auger
5b	1	99-9185	M12 - Nyloc Nut	Auger
6	1	42-1901	ADJUSTABLE DEPTH SKID	
6a	2	99-9177	M20 - Pain Nut	Adjustable Depth Skid
6b	2	99-9157-S	M20 - Shake Proof Washer	Adjustable Depth Skid
7	1	42-1020	RUBBER CHAIN FLAP	
8	2	42-1018	PLATE - RUBBER FLAP	
8a	5	99-9114-035	M10 x 35 Setscrew	Adjustable Depth Skid
8b	5	99-9184	M10 - Nyloc Nut	Adjustable Depth Skid
8c	10	99-9154	M10 - Washer	Adjustable Depth Skid
9	1	42-1905	600 DEEP BOOM ASSY	
	1	42-1907	900 DEEP BOOM ASSY	
10	1	42-1906	600 DEEP DANGER BAR	Used with Item 9
	1	42-1908	900 DEEP DANGER BAR	Used with Item 10
10a	4	99-9116-050	M16 x 50 Set screw	600 & 900 Danger Bar
10b	4	99-9186	M16 - Nyloc Nut	600 & 900 Danger Bar
10c	4	99-9156	M16 - Washer	600 & 900 Danger Bar
11	1	42-1900	NOSE ROLLER KIT	Supplied as complete kit. (Includes Items 12a-12d)
11a	1	42-1026	BOOM NOSE ROLLER	
11b	2	42-1024	WASHER H/D	
11c	1	99-1207	BEARING	
11d	1	99-1603	CIRCLIP	
11e	1	42-1025	SQUARE PIN	
11f	2	99-9165	M12 - Spring Washer	
11g	2	99-9115-030	M12 x 30 Set screw	
12	1	42-1902	BOOM ADJUSTER KIT	Supplied as complete kit. (Includes Items 13a-13f)
12a	1	42-1021	THREADED BOLT ADJUSTER	
12b	1	99-9176	M16 - Plain Nut	
12c	1	42-1019	BOLT ADJUSTER - THRU HOLE	
12d	1	99-9126-180	M16 x 180 Setscrew	
12e	2	99-9157-P	M20 - Large Dia. Washer	
12f	2	99-9187	M20 - Nyloc Nut	

SERIAL No. **42061234 -**
 SERIAL No. **42091234 -**

EFFECTIVE DATE:
 01/03/2006



THIS PARTS LISTING REFERS TO THE
 FOLLOWING TRENCHER MODEL:

MINI-TRENCHER

AUGER DRIVE UNIT - PARTS LIST

ITEM	QTY	PART No.	DESCRIPTION	NOTES
20	1	99-5049	MINI-TRENCHER LABEL KIT	
21	0.25	99-8002	PAINT - "Auger Torque" BLUE	Supplied in 250ml tins
25	1	MANUAL	OPERATORS MANUAL	Languages available are: - English
30	1	99-1501	GASKET	
30a	4	99-9135-045	M12 x 35 Socket Cap Screw	Motor Bolts
31	1	21-2008	TOP INPUT HOUSING	
31a	4	99-9135-045	M12 x 45 Socket Cap Screw	Top Input Bolts
32	1	21-2012	SUN GEAR - 1" + Key shaft motor	
	1	21-2013	SUN GEAR - 14T shaft motor	
32a	1	99-1202	Ball Bearing (6012 ZZ)	
32b	1	99-1601	Circlip	
33	1	21-2002	BOTTOM INPUT HOUSING	
33a	1	99-1530	O-Ring - Top Input	105mm Diameter
33b	8	99-9134-050	M10 x 55 Socket Cap Screw	Input Housing
34	1	21-2004	RING GEAR	
34a	2	99-1531	O-Ring - Ring Gear	125mm Diameter
35	1	21-2912	SHAFT ASSEMBLY	Supplied assembled. Includes Planet gears
36	2	99-1103	TAPER BEARING	
37	1	21-2026	OUTPUT HOUSING	
38	1	99-1504	OIL LIP SEAL	
39	1	21-3006	SHAFT LOCK NUT	
39a	2	99-9213-012	M8 x 12 Socket Setscrew	"Dog" Point end
40	1	42-1017	SEAL PROTECTOR	
41	1	42-1004	SPROCKET	
42	1	42-1027	KEY	
43	1	42-1006	LOCKING COLLAR	
43a	2	99-9223-012	M8 x 12 Socket Setscrew	"Cone" Point end
	0.35	99-8101	OIL - EP320 GEAR OIL	Total Volume = 0.35 Litres

SERIAL No. **42061234 -**
 SERIAL No. **42091234 -**

EFFECTIVE DATE:
 01/03/2006



THIS PARTS LISTING REFERS TO THE
 FOLLOWING TRENCHER MODEL:

MINI-TRENCHER

AUGER DRIVE UNIT - PARTS LIST

ITEM	QTY	PART No.	DESCRIPTION	NOTES
50	1	44-2024	CHAIN 64 LINKS (900 Deep)	
	1	44-2025	CHAIN 48 LINKS (600 Deep)	
51	1	44-4010	EARTH TOOTH - LEFT	
52	1	44-4011	EARTH TOOTH - RIGHT	
53	1	44-2001	TUNGSTEN TOOTH - LEFT	
54	1	44-2002	TUNGSTEN TOOTH - CENTRE	
55	1	44-2003	TUNGSTEN TOOTH - RIGHT	
56	A/R	44-2027	CHAIN SPACER - 38.5mm	
	A/R	44-2028	CHAIN SPACER - 30.0mm	
	A/R	44-2029	CHAIN SPACER - 15.5mm	
57	A/R	44-2007	TOOTH SPACER - 12mm WIDE	
	A/R	44-2004	TOOTH SPACER - 25mm WIDE	
	A/R	44-2005	TOOTH SPACER - 50mm WIDE	
58	A/R	99-9184	M10 - Nyloc Nut	
59	A/R	99-9114-065	M10 x 65 Bolt	
	A/R	99-9114-070	M10 x 70 Bolt	
	A/R	99-9114-075	M10 x 75 Bolt	
	A/R	99-9114-080	M10 x 80 Bolt	
	A/R	99-9114-085	M10 x 85 Bolt	
	A/R	99-9114-090	M10 x 90 Bolt	
	A/R	99-9114-095	M10 x 95 Bolt	
	A/R	99-9114-100	M10 x 100 Bolt	
	A/R	99-9114-110	M10 x 110 Bolt	
	A/R	99-9114-120	M10 x 120 Bolt	
	A/R	99-9114-130	M10 x 130 Bolt	
	A/R	99-9114-140	M10 x 140 Bolt	
	A/R	99-9114-150	M10 x 150 Bolt	
60	1	42-1909	TRENCH CLEANER ASSEMBLY	Does not include Plastic Scraper. (Item 63)
61	1	42-1913	MAIN ARM	
62	2	42-1055	PIN	
62a	2	99-99021	Linch Pin	
63	1	42-1029	150mm (6") WIDE	Supplied complete with fixings
		42-1030	200mm (8") WIDE	Supplied complete with fixings
64	1	42-1040	SPRING	

Mounting Hitches - Spare Parts

Due to the large number of options available please contact your local AUGER TORQUE dealer, who can arrange for the correct parts to be ordered.

SERIAL No. **42061234 -**

EFFECTIVE DATE:



THIS PARTS LISTING REFERS TO THE FOLLOWING TRENCHER MODEL:

MINI-TRENCHER

SERIAL No. **42091234 -**

01/03/2006