

ITEM NO.	PART NUMBER	DESCRIPTION	Qty	Unit
1	MK2 ECTMP-1-1	MAIN CHASSIS	1	
2	ECTMP-1-22	ADJUSTABLE LEGS	4	
3	ECTMP-1-40	OFFSIDE LINKAGE	1	
4	ECTMP-1-100	PLATE MOUNT FOR LIFT LINK	1	
5	ECTMP-1-104	LINK	1	
6	ECTMP-3-1	ROLLERBOX	1	
7	ECTMP-4-1	INFEED CHUTE	1	
8	EC3S-4-25	REAR FLAP	1	
9	ECTMP-2-10	CHIPPER CHAMBER	1	
10	DISCHARGE	DISCHARGE CHUTE	1	
11	ECTMP-6-17	BELT GUARD	1	

REV. MODIFICATION

DEN

APPD

DATE

14/10/2004

WORK

14/10/2004

WORK

14/10/2004

WORK

14/10/2004

WORK

14/10/2004

WORK

14/10/2004

WORK

GreenMech up

ECTMP

TOLERANCES:
FABRICATED PARTS - ±0.025mm
MATERIALS - ±0.127mm

DATE: 21/04/11

TIME: 08:58

SCALE: 1:1

PROJ: 1410

REV: 01

APPD: 01

CHKD: 01

DATE: 21/04/11

TIME: 08:58

SCALE: 1:1

PROJ: 1410

REV: 01

APPD: 01

CHKD: 01

DATE: 21/04/11

TIME: 08:58

SCALE: 1:1

PROJ: 1410

REV: 01

APPD: 01

CHKD: 01

DATE: 21/04/11

TIME: 08:58

SCALE: 1:1

PROJ: 1410

REV: 01

APPD: 01

CHKD: 01

DATE: 21/04/11

TIME: 08:58

SCALE: 1:1

PROJ: 1410

REV: 01

APPD: 01

CHKD: 01

DATE: 21/04/11

TIME: 08:58

SCALE: 1:1

PROJ: 1410

REV: 01

APPD: 01

CHKD: 01

DATE: 21/04/11

TIME: 08:58

SCALE: 1:1

PROJ: 1410

REV: 01

APPD: 01

CHKD: 01

DATE: 21/04/11

TIME: 08:58

SCALE: 1:1

PROJ: 1410

REV: 01

APPD: 01

CHKD: 01

DATE: 21/04/11

TIME: 08:58

SCALE: 1:1

PROJ: 1410

REV: 01

APPD: 01

CHKD: 01

DATE: 21/04/11

TIME: 08:58

SCALE: 1:1

PROJ: 1410

REV: 01

APPD: 01

CHKD: 01

DATE: 21/04/11

TIME: 08:58

SCALE: 1:1

PROJ: 1410

REV: 01

APPD: 01

CHKD: 01

DATE: 21/04/11

TIME: 08:58

SCALE: 1:1

PROJ: 1410

REV: 01

APPD: 01

CHKD: 01

DATE: 21/04/11

TIME: 08:58

SCALE: 1:1

PROJ: 1410

REV: 01

APPD: 01

CHKD: 01

DATE: 21/04/11

TIME: 08:58

SCALE: 1:1

PROJ: 1410

REV: 01

APPD: 01

CHKD: 01

DATE: 21/04/11

TIME: 08:58

SCALE: 1:1

PROJ: 1410

REV: 01

APPD: 01

CHKD: 01

DATE: 21/04/11

TIME: 08:58

SCALE: 1:1

PROJ: 1410

REV: 01

APPD: 01

CHKD: 01

DATE: 21/04/11

TIME: 08:58

SCALE: 1:1

PROJ: 1410

REV: 01

APPD: 01

CHKD: 01

DATE: 21/04/11

TIME: 08:58

SCALE: 1:1

PROJ: 1410

REV: 01

APPD: 01

CHKD: 01

DATE: 21/04/11

TIME: 08:58

SCALE: 1:1

PROJ: 1410

REV: 01

APPD: 01

CHKD: 01

DATE: 21/04/11

TIME: 08:58

SCALE: 1:1

PROJ: 1410

REV: 01

APPD: 01

CHKD: 01

DATE: 21/04/11

TIME: 08:58

SCALE: 1:1

PROJ: 1410

REV: 01

APPD: 01

CHKD: 01

DATE: 21/04/11

TIME: 08:58

SCALE: 1:1

PROJ: 1410

REV: 01

APPD: 01

CHKD: 01

DATE: 21/04/11

TIME: 08:58

SCALE: 1:1

PROJ: 1410

REV: 01

APPD: 01

CHKD: 01

DATE: 21/04/11

TIME: 08:58

SCALE: 1:1

PROJ: 1410

REV: 01

APPD: 01

CHKD: 01

DATE: 21/04/11

TIME: 08:58

SCALE: 1:1

PROJ: 1410

REV: 01

APPD: 01

CHKD: 01

DATE: 21/04/11

TIME: 08:58

SCALE: 1:1

PROJ: 1410

REV: 01

APPD: 01

CHKD: 01

DATE: 21/04/11

TIME: 08:58

SCALE: 1:1

PROJ: 1410

REV: 01

APPD: 01

CHKD: 01

DATE: 21/04/11

TIME: 08:58

SCALE: 1:1

PROJ: 1410

REV: 01

APPD: 01

CHKD: 01

DATE: 21/04/11

TIME: 08:58

SCALE: 1:1

PROJ: 1410

REV: 01

APPD: 01

CHKD: 01

DATE: 21/04/11

TIME: 08:58

SCALE: 1:1

PROJ: 1410

REV: 01

APPD: 01

CHKD: 01

DATE: 21/04/11

TIME: 08:58

SCALE: 1:1

PROJ: 1410

REV: 01

APPD: 01

CHKD: 01

DATE: 21/04/11

TIME: 08:58

SCALE: 1:1

PROJ: 1410

REV: 01

APPD: 01

CHKD: 01

DATE: 21/04/11

TIME: 08:58

SCALE: 1:1

PROJ: 1410

REV: 01

APPD: 01

CHKD: 01

DATE: 21/04/11

TIME: 08:58

SCALE: 1:1

PROJ: 1410

REV: 01

APPD: 01

CHKD: 01

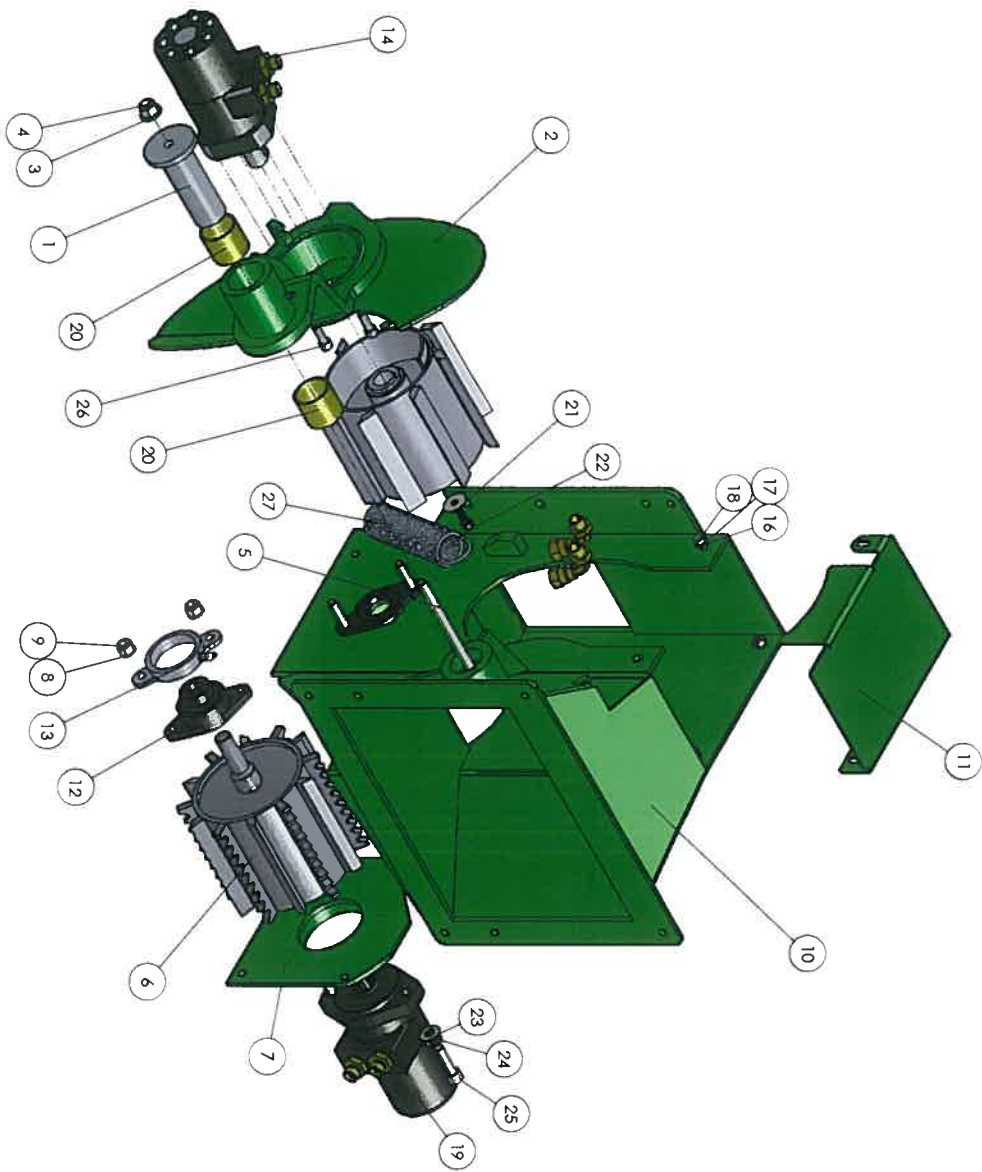
DATE: 21/04/11

TIME: 08:58

SCALE: 1:1

PROJ: 1410

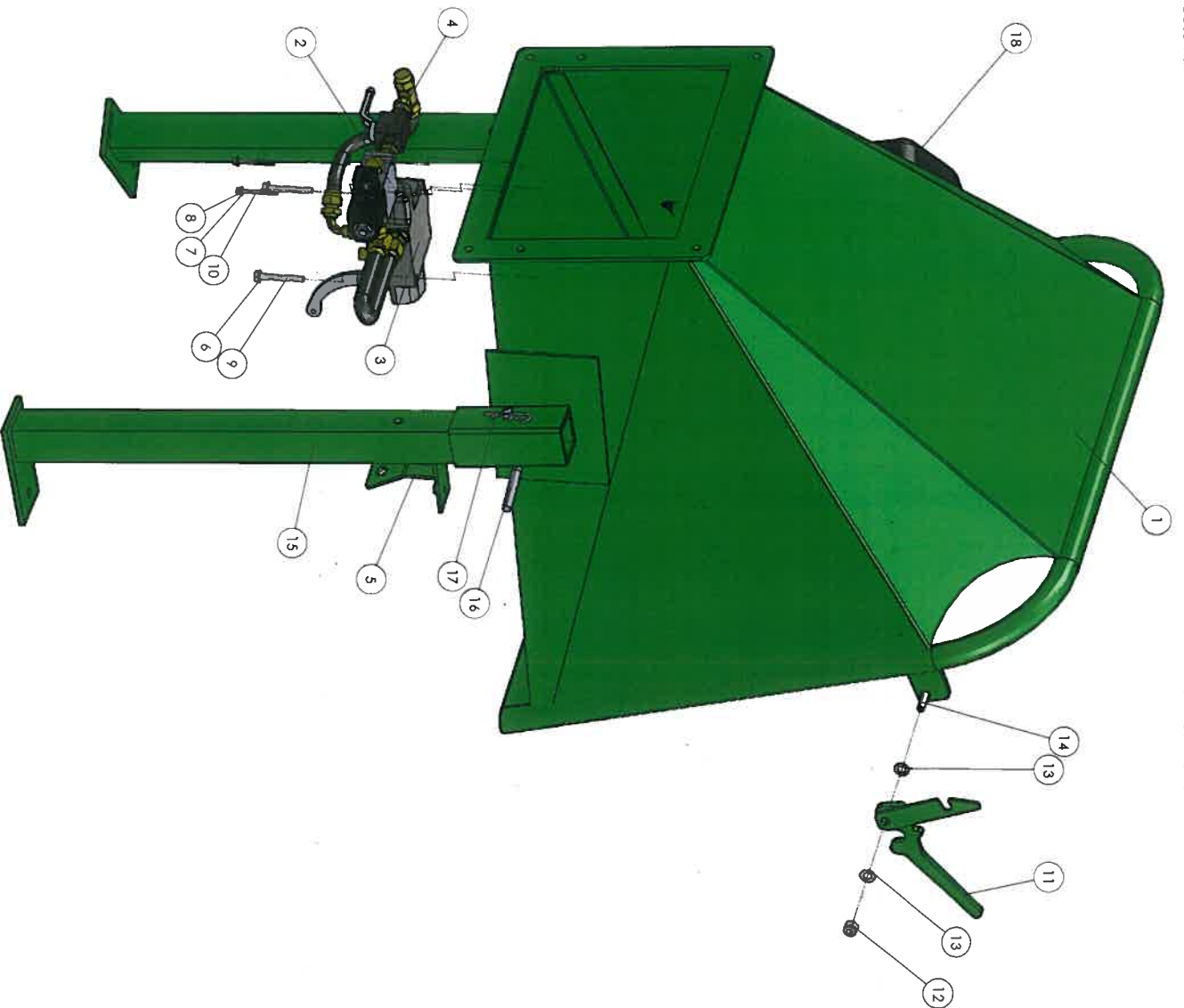
REV: 01



ITEM NO.	PART NUMBER	DESCRIPTION	QTY
1	EC35-3-28	PIVOT PIN	1
2	ECTMP-3-20	PIVOT ARM	1
3	91202C	M12 flat washer	2
4	91201	M12 NYLOC	1
5	912160	M12 HEX HD BOLT	1
6	EC1500304	BOTTOM ROLLER	1
7	ECTMP-3-32	MOTOR PLATE	1
8	91002	M10 B WASHER	6
9	91001	M10 NYLOC NUT	6
10	ECTMP-3-1FAB	ROLLERBOX	1
11	ECTMP-3-30	TOP COVER	1
12	EC150003	BEARING	1
13	ECTMP-3-40	BEARING SUPPORT	1
14	EC150004	TOP ROLLER MOTOR	1
15	EC35-3-40	TOP ROLLER	1
16	90802	M8 FLAT WASHER	3
17	90803	M8 SPRING WASHER	3
18	90820	M8 HEX HD	3
19	C200207	BOTTOM ROLLER MOTOR	1
20	C200224	BUSH	2
21	90802L	M8 LARGE WASHER	1
22	90825CH	M8 CAP HD BOLT	1
23	91202	M12 FLAT WASHER	2
24	91203	M12 SPRING WASHER	2
25	91240CH	M12 CAP HD BOLT	2
26	938UNC1"	CAP HD BOLT	4
27	EC150036	ROLLER SPRING	1

REV: MODIFICATION: QM: APPRO: DATE:

GreenMech UP
 THE NATIONAL INSTITUTE OF TECHNOLOGY
 KANPUR
 MATERIAL: 304 SS
 TOLERANCES:
 DIMENSIONS: ±0.025mm
 HOLE DIA: ±0.025mm
 UNMACHINED PARTS: ±0.127mm
 FINISHED PARTS: ±0.025mm
ROLLERBOX EXPLODED
 SHEET: ECTMP-3-1
 DATE: 14/07/2024



ITEM NO.	PART NUMBER	DESCRIPTION	QTY
1	ECTMP-4-1	INFEED CHUTE	1
2	C251808	SOLENOID VALVE	1
3	C251813	DIRECTIONAL VALVE	1
4	HYD 2	SHUT OFF VALVE	1
5	EC35-4-37	CABLE BKT	1
6	90802	M8 FLAT WASHER	6
7	90602	M6 FLAT WASHER	2
8	90603	M6 S/WASHER	2
9	90860	HEX HD BOLT	2
10	ISO 4762 M5 x 50 --- 2ZS	CAP HD BOLT	2
11	CM170-4-19A	FLAP LOCK	1
12	91001	M10 NYLOC NUT	1
13	91002	M10 B WASHER	2
14	91040CS	M10 x 40 CSK	1
15	ECTMP-1-21	SUPPORT LEG	2
16	ECTMP-1-25	LEG PIN	2
17	9105MA	MEDIUM R CLIP	2
18	9000-08	DOCUMENT CASE	1

GreenMech up

INDUSTRIAL TOOLS
 1183
 13A/11
 14 01179-00044

TELE: 14 01179-00044

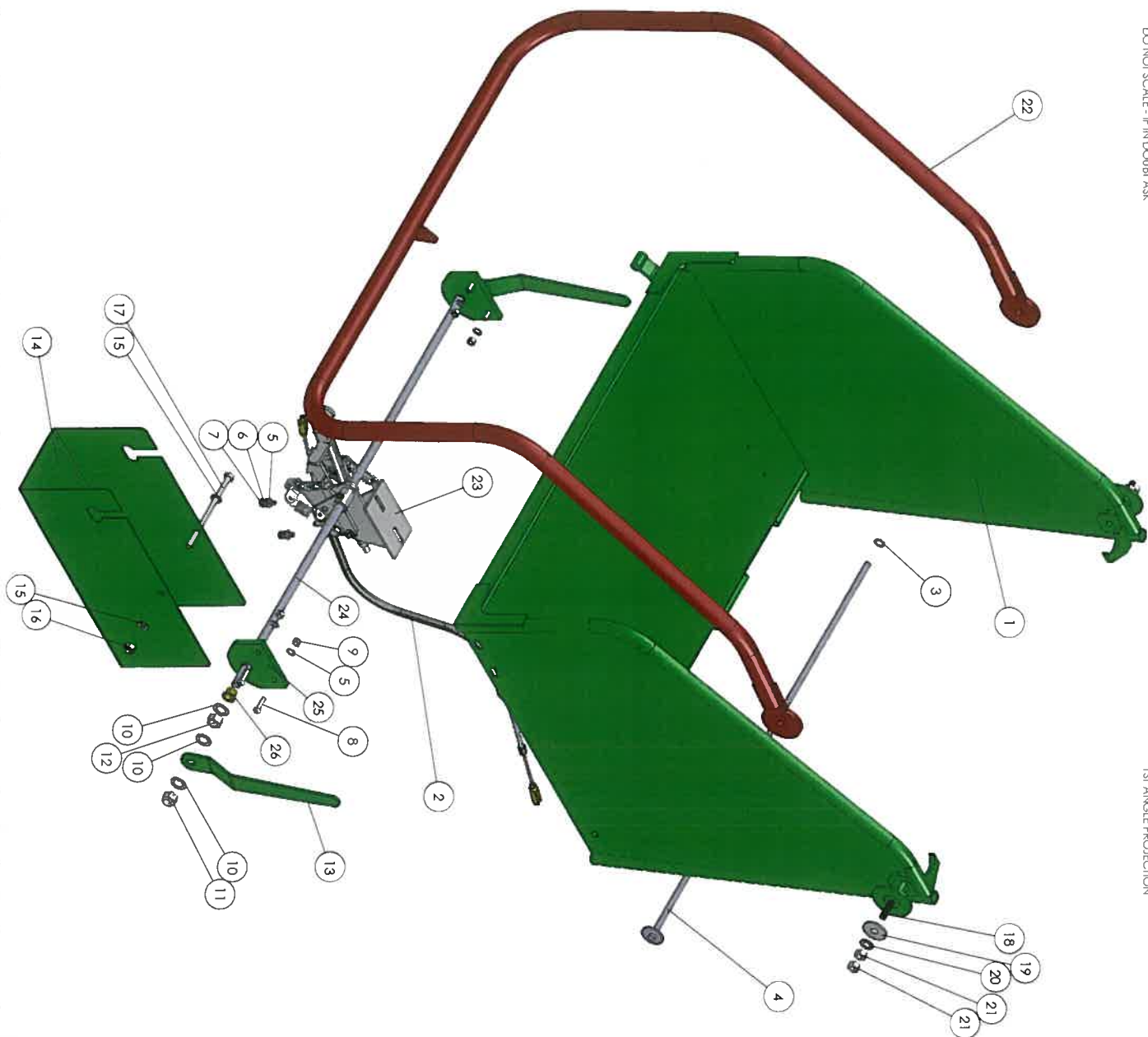
INFEED CHUTE EXPLODED

DATE: 13/07/11

REVISIONS:

REV	DESCRIPTION	DATE
01	INITIAL DESIGN	13/07/11

GREENMECH UP
 14 01179-00044



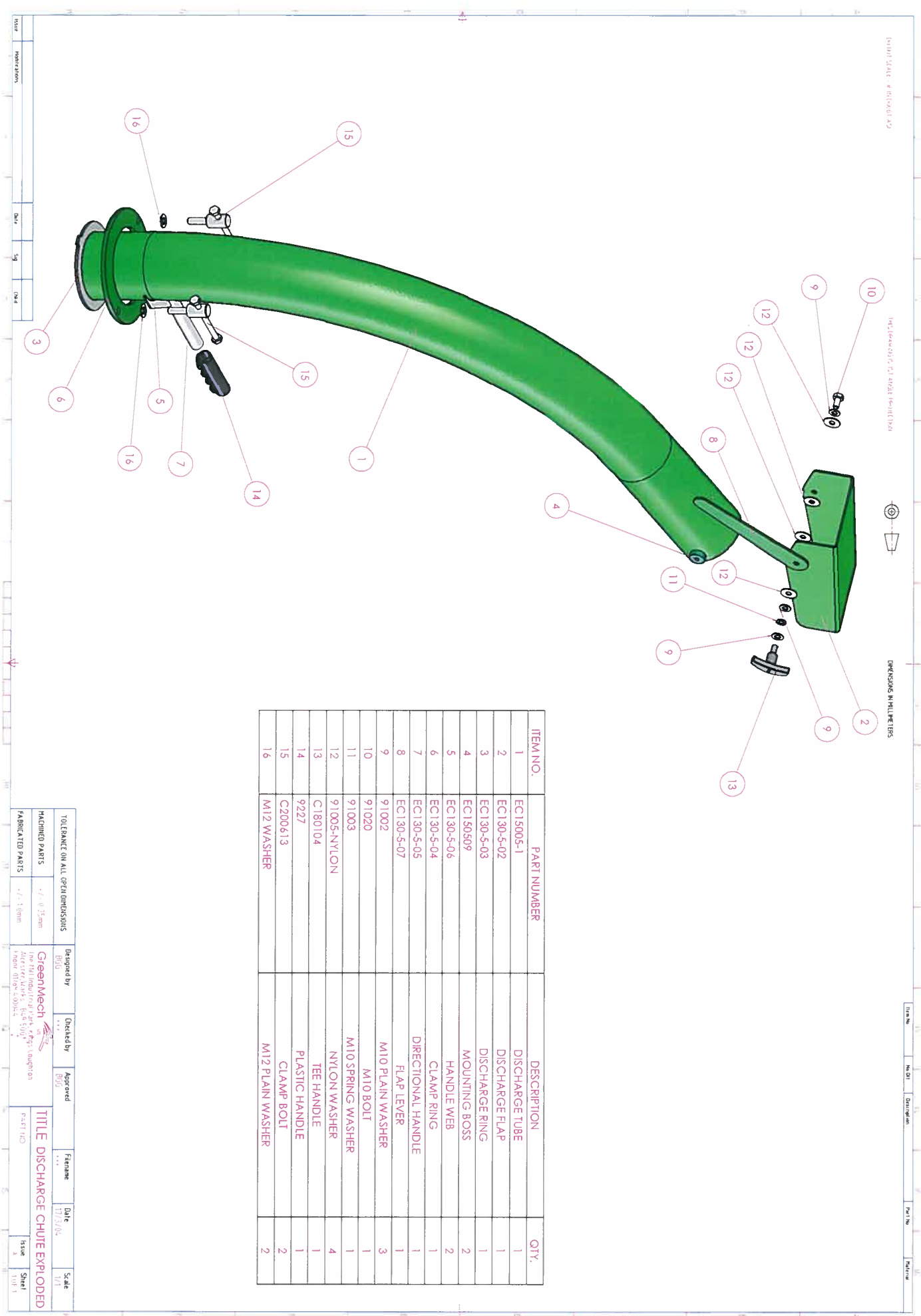
ITEM NO.	PART NUMBER	DESCRIPTION	QTY
1	ECTMP-4-29	REAR FLAP	1
2	C180118	OPERATING CABLE	1
3	912SL	STARLOCK WASHER	1
4	EC35-4-21	HINGE PIN	1
5	90802	M8 FLAT WASHER	6
6	90803	M8 SPRING WASHER	2
7	90825	M8 HEX HD BOLT	2
8	908308H	BUTTON HD BOLT	4
9	90801	M8 NYLOC NUT	4
10	916028	M16 FLAT WASHER	6
11	91601	NYLOC NUT	2
12	91601-P	M16 FLAIN NUT	2
13	EC35-4-43	OPERATING LEVER	2
14	EC35-4-44	DETENT GUARD	1
15	91002	M10 B WASHER	2
16	91001	M10 NYLOC NUT	1
17	910170	HEX HD BOLT	1
18	91290STUD	M12 ALTHREAD	2
19	91202-R	M12 LARGE WASHER	2
20	91202	FLAT WASHER	2
21	91201-P	M12PLAIN NUT	4
22	EC35-4-40	SAFETY BAR	1
23	CM170-4-17A	PIVOT BKT ASSY	1
24	EC35-4-42	OPERATING ROD	1
25	CM170-4-79	SIDE PLATE	2
26	C170410	OIL-LITE BUSH	2

REV APPLICATION DRI APPRO DATE

GreenMech Inc
 140179-40044 W8047
 140179-40044 W8047

REAR FLAP EXPLODED

SCALE: 1:1

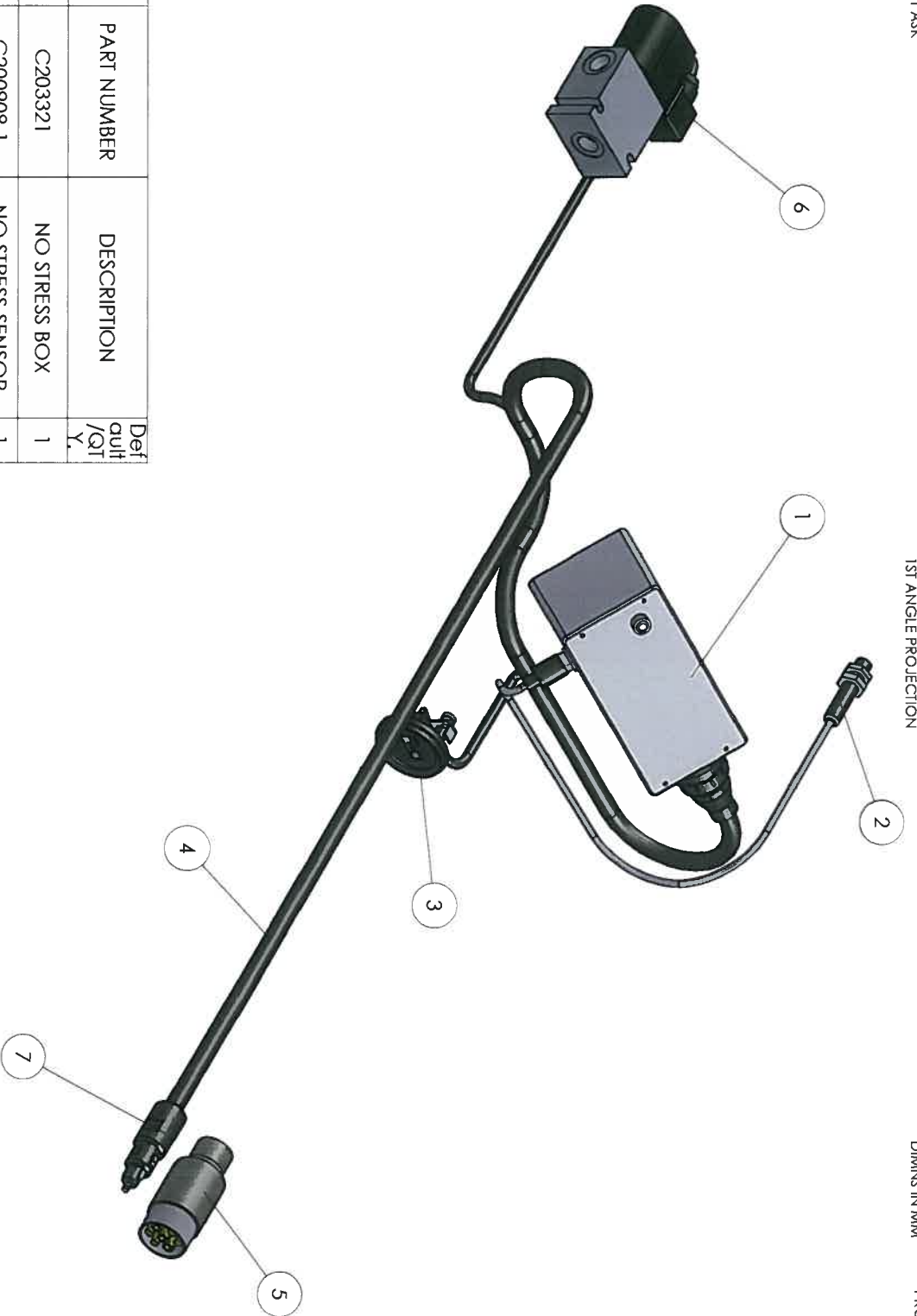


Dimension: MILLIMETERS
 Item No. No. Qty. Distribution Part No. Material

ITEM NO.	PART NUMBER	DESCRIPTION	QTY.
1	EC15005-1	DISCHARGE TUBE	1
2	EC130-5-02	DISCHARGE FLAP	1
3	EC130-5-03	DISCHARGE RING	1
4	EC150509	MOUNTING BOSS	2
5	EC130-5-06	HANDLE WEB	2
6	EC130-5-04	CLAMP RING	1
7	EC130-5-05	DIRECTIONAL HANDLE	1
8	EC130-5-07	FLAP LEVER	1
9	91002	M10 PLAIN WASHER	3
10	91020	M10 BOLT	1
11	91003	M10 SPRING WASHER	1
12	91005-NYLON	NYLON WASHER	4
13	C180104	TEE HANDLE	1
14	9227	PLASTIC HANDLE	1
15	C200613	CLAMP BOLT	2
16	M12 WASHER	M12 PLAIN WASHER	2

REVISION	DATE	BY	CHKD

TOLERANCE ON ALL OTHER DIMENSIONS	Designed by	Checked by	Approved	Filename	Date	Scale
MACHINED PARTS +/- 0.25mm	BGG	...	BGG	...	17/03/06	1/1
FABRICATED PARTS +/- 1.0mm	GreenMech The 1st manufacturer of high quality Amen 0199-420025		TITLE DISCHARGE CHUTE EXPLODED			
			PART ICD	Issue	Sheet	
				A	1 of 1	



ITEM NO.	PART NUMBER	DESCRIPTION	Def quilt /qit y.
1	C203321	NO STRESS BOX	1
2	C200908-1	NO STRESS SENSOR	1
3	185-6078	HOUR METER	1
4	ECTMP-6-100	WIRING HARNESS	1
5	C202117	7 PIN TRAILER PLUG	1
6	C251808	SOLENOID VALVE	1
7	ECTMP-6-5	AUXILIARY TYPE PLUG	

REV: MODIFICATION DRAWN APPRO DATE

GreenMech Ltd
The Mill Industrial Estate
Rushmore, Reading, RG6 2AT
Tel: 0118 987 5500 Fax: 0118 987 5501
www.greenmech.co.uk

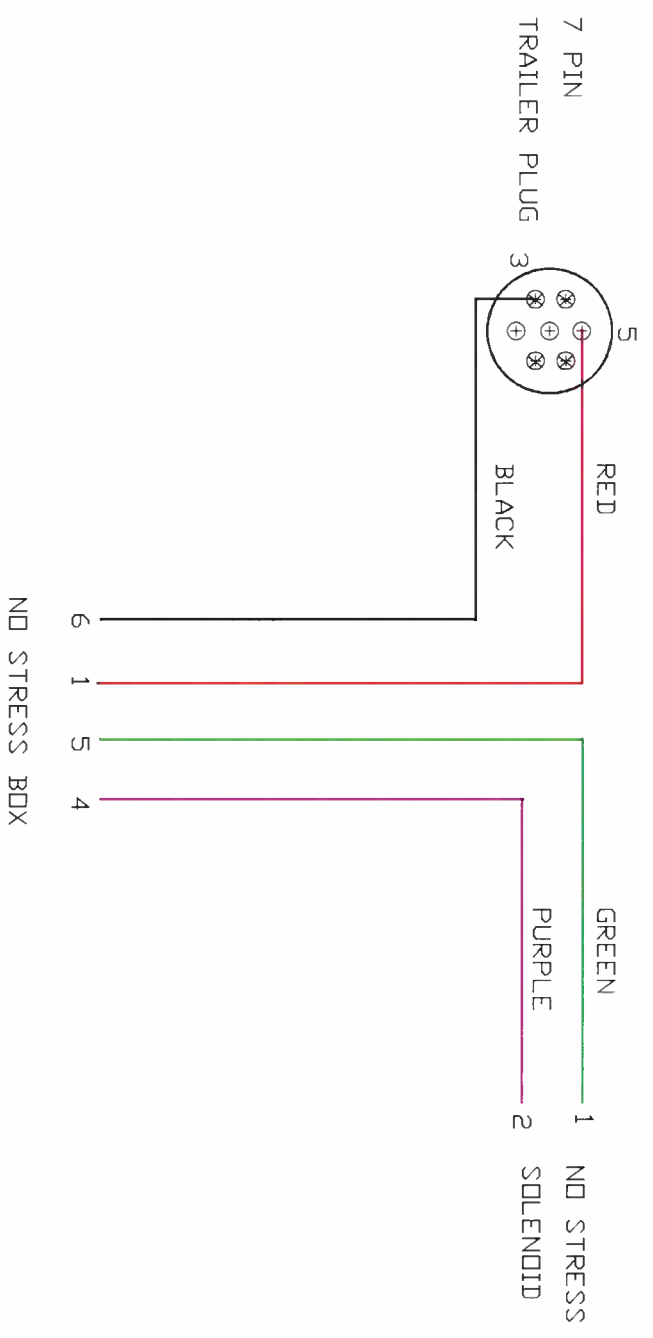
MATERIAL: 316L SS
TOLERANCES:
DIMENSIONS UNLESS OTHERWISE SPECIFIED
FRACTIONAL PARTS +/- 0.025mm
DECIMAL PARTS +/- 0.125mm
TITLE:
ELECTRICAL SYSTEM
DWG NO.
SCALE: 1:1

DO NOT SCALE - IF IN DOUBT ASK


THIS DRAWING IS 1ST ANGLE PROJECTION

DIMENSIONS IN MILLIMETERS

ECD TMP FROM AUGUST 2001

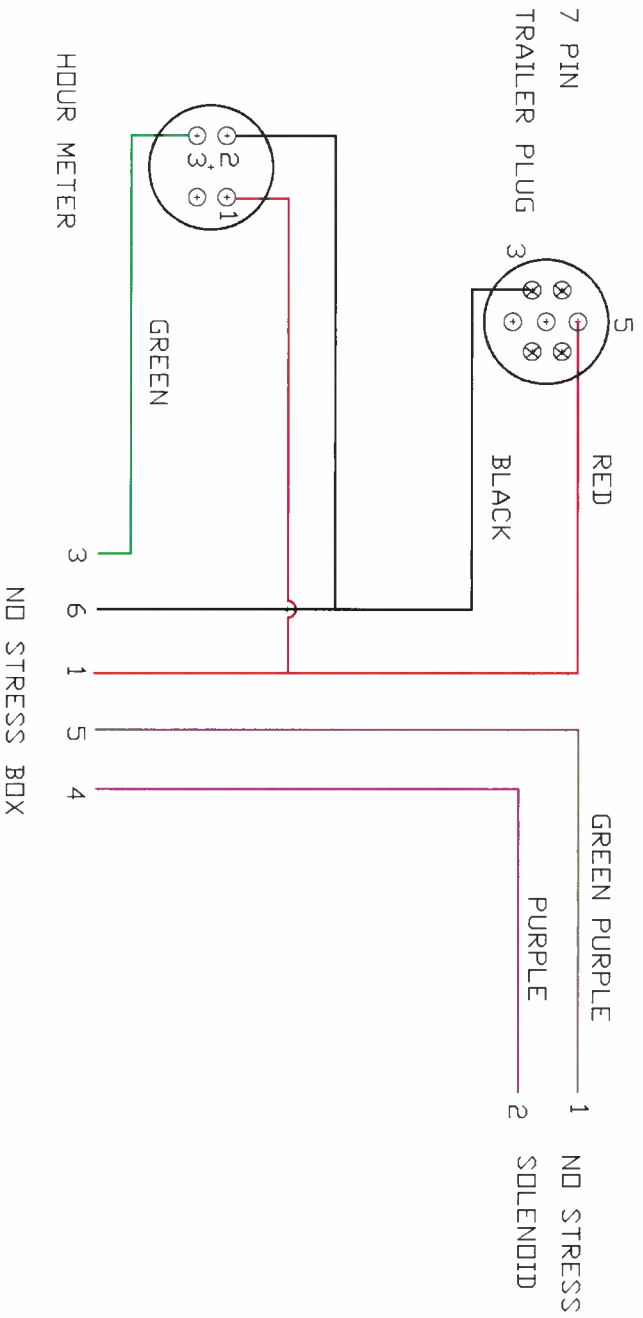


Issue	Modifications	Date	Sig	Chko
-------	---------------	------	-----	------

Designed by BGC	Checked xxx	Approved BGG	Filename xxx	Date 01/08/01	Scale 1/1
 GreenMechtri The Mill Industrial Park, Kings Cougpton Alcester Works B49 5QC Phone 01789 400047			TITLE ELECTRICAL DRG DWG.No		
			Edition Sheet A 1 DF 1		

TOLERANCE ON ALL OPEN DIMENSIONS	
MACHINED PARTS	+/- 0.25mm
FABRICATED PARTS	+/- 1.0mm

ECD TMP FITTED WITH HOUR METER



TOLERANCE ON ALL OPEN DIMENSIONS

MACHINED PARTS	+/- 0.25mm
FABRICATED PARTS	+/- 1.0mm

Designed by	Checked by	Approved	Filename	Date	Scale
BGL	xxx	BGG	xxx	9/6/11	1/1

GreenMech

The Mill Industrial Park, Kings Coughton
Alcester, Works B49 5AG
Phone 01789 400044

TITLE ELECTRICAL DRG

DWG.No

Editor Sheet
A 1 DF 1

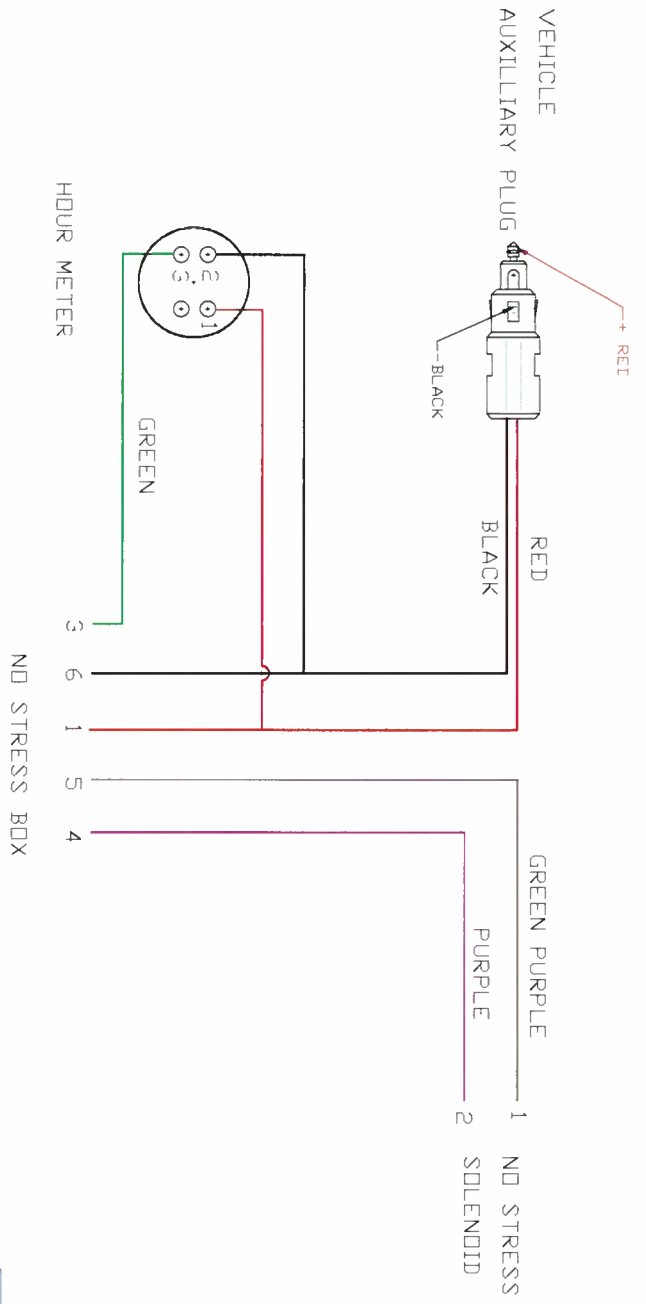
Issue	Modifications	Date	Sig	Chko

DO NOT SCALE - IF IN DOUBT ASK

THIS DRAWING IS 1ST ANGLE PROJECTION

DIMENSIONS IN MILLIMETERS

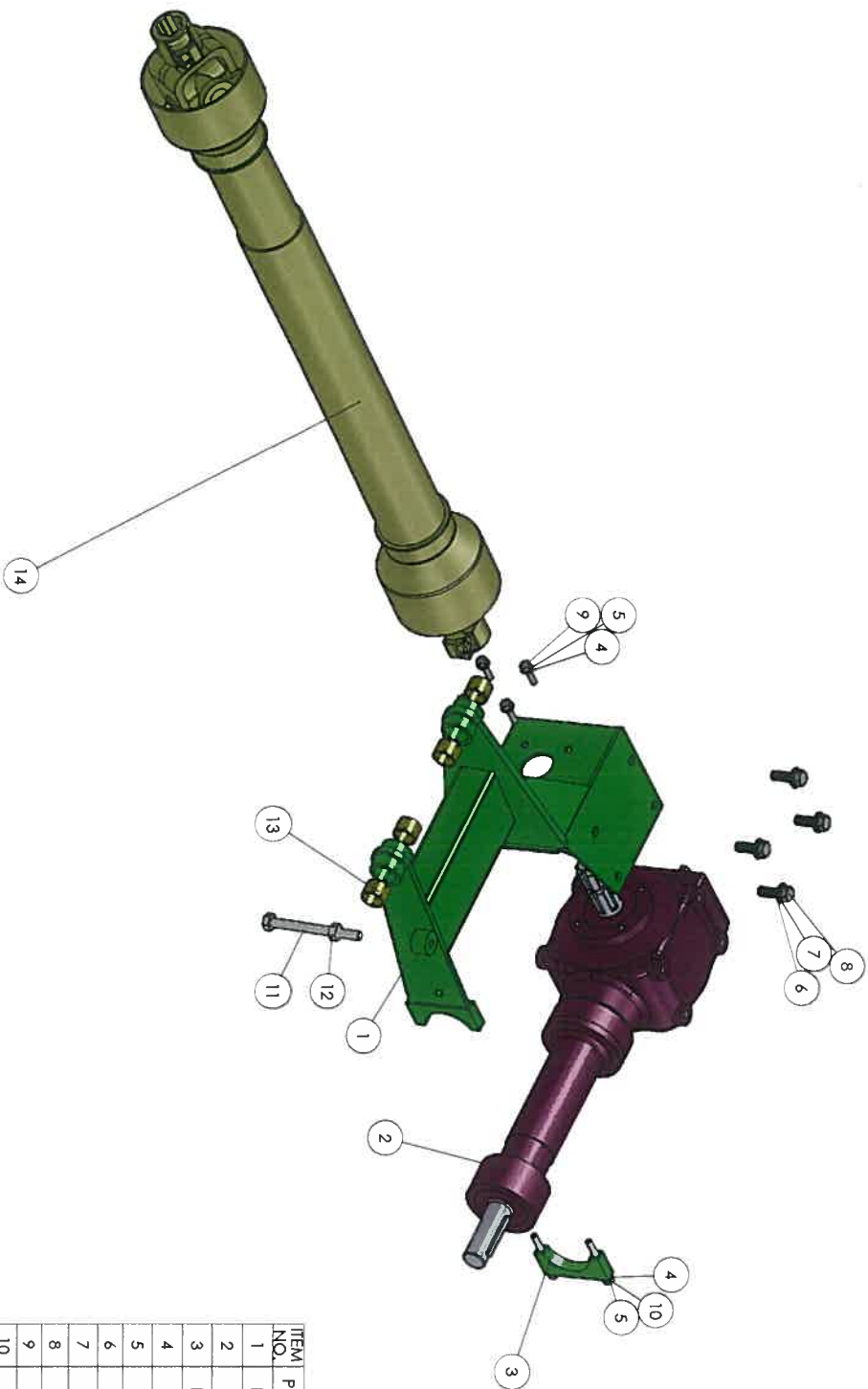
HYDROSTATIC TMP FITTED WITH HOUR METER
AND VEHICLE AUXILLIARY PLUG



Issue	Modifications	Date	Sig	Chko
-------	---------------	------	-----	------

Designed by	Checked by	Approved
BGC	xxx	BGC
The Mill Industrial Park, Kings Cougntor Alcester, Warks N99 50G Phone 01789 400044		

TITLE ELECTRICAL DRG			
DWG No		Edition Sheet	
		A 1 OF 1	
TOLERANCE ON ALL OPEN DIMENSIONS			
MACHINED PARTS		+/- 0.25mm	
FABRICATED PARTS		+/- 1.0mm	
Filename	Date	Scale	
xxx	9/6/11	1/1	

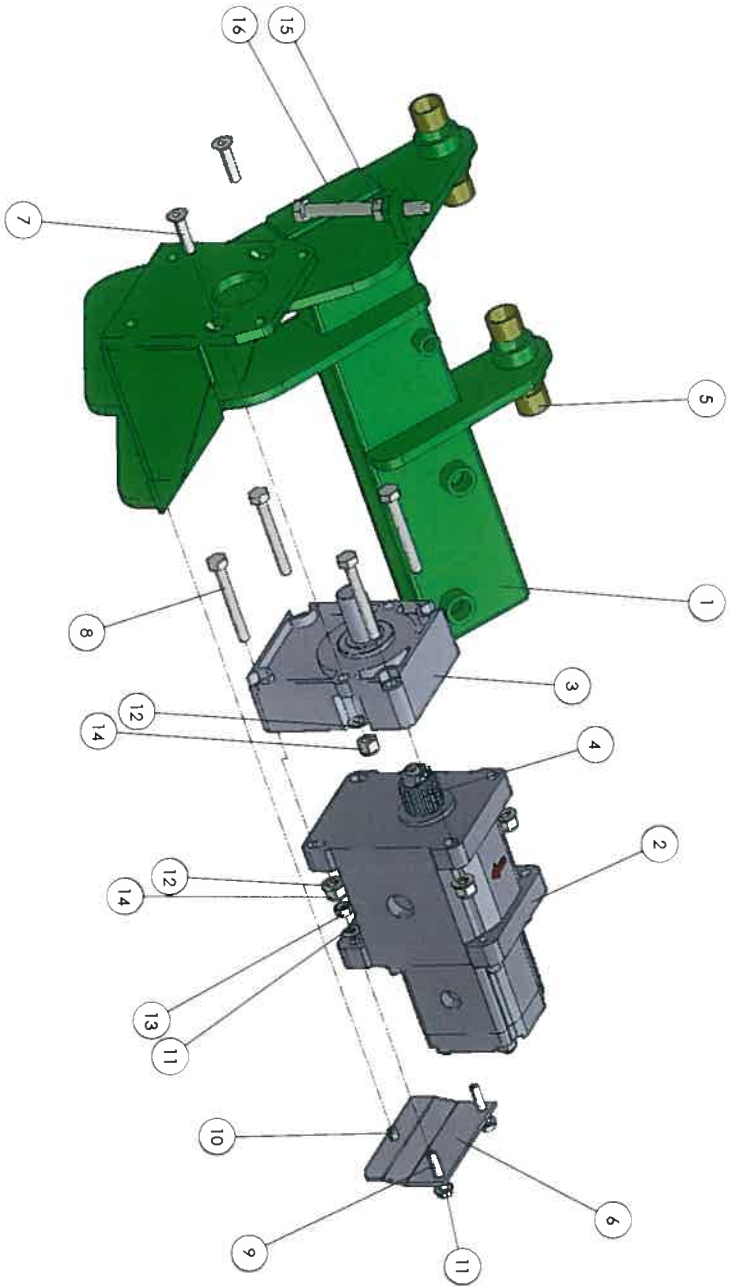


ITEM NO.	PART NUMBER	DESCRIPTION	QTY
1	ECTMP-6-1B	BYPY G/BOX PLATE	1
2	EC150078	BYPY GEARBOX 2041	1
3	ECTMP-6-12	BYPY G/BOX CLAMP	1
4	90802	M8 FLAT WASHER	6
5	90803	M8 SPRING WASHER	6
6	91202	FLAT WASHER	4
7	91203	SPRING WASHER	4
8	91235	HEX HEAD BOLT	4
9	90830	M8 x 30 bolt	4
10	90870	M8 x 70mm	2
11	912120	HEX HD BOLT	1
12	91201-P	M12PLAIN NUT	1
13	EC150083	BRONZE BUSH	4
14	EC1500	PTO SHAFT	1

REV. MODIFICATION. CRI. APPRO. DATE

INDUSTRIAL
 GREENMECH PVT. LTD.
 100/100, 5th Floor, 100 Feet Road,
 Anna Nagar, Chennai - 600 024
 TEL: 044-26101371
 FAX: 044-26101372
 E-MAIL: info@greenmech.com

GreenMech IND
 BYPY GEARBOX
 MATERIAL: TEL:
 DIMENSIONS TOLERANCES
 FABRICATED PARTS: ± 0.05mm
 MACHINED PARTS: ± 0.10mm



ITEM NO.	PART NUMBER	DESCRIPTION	QTY
1	ECTMP-6-61	MOTOR PLATE AND MIXING TANK	1
2	ECTMP-9-1001	MOTOR AND PUMP	1
3	ECTMP-9-1002	BEARING SUPPORT	1
4	ECTMP-9-1003	DRIVE GEAR	1
5	EC150083	BRONZE BUSH	4
6	ECTMP-6-68	END PLATE	1
7	91040CS	M10 x 40 CSK	2
8	91080	M10 x 80mm	4
9	90840	M8 x 40mm	2
10	90825	M8 HEX HD BOLT	1
11	90802	M8 FLAT WASHER	6
12	91002	M10 B WASHER	6
13	90801	M8 NYLOC NUT	3
14	91001	M10 NYLOC NUT	6
15	91201-P	M12PLAIN NUT	1
16	912120	HEX HD BOLT	1

REV. MODIFICATION

DATE

AMPD

DATE

1401797-000014

VERBET

1401797-000014

1401797-000014

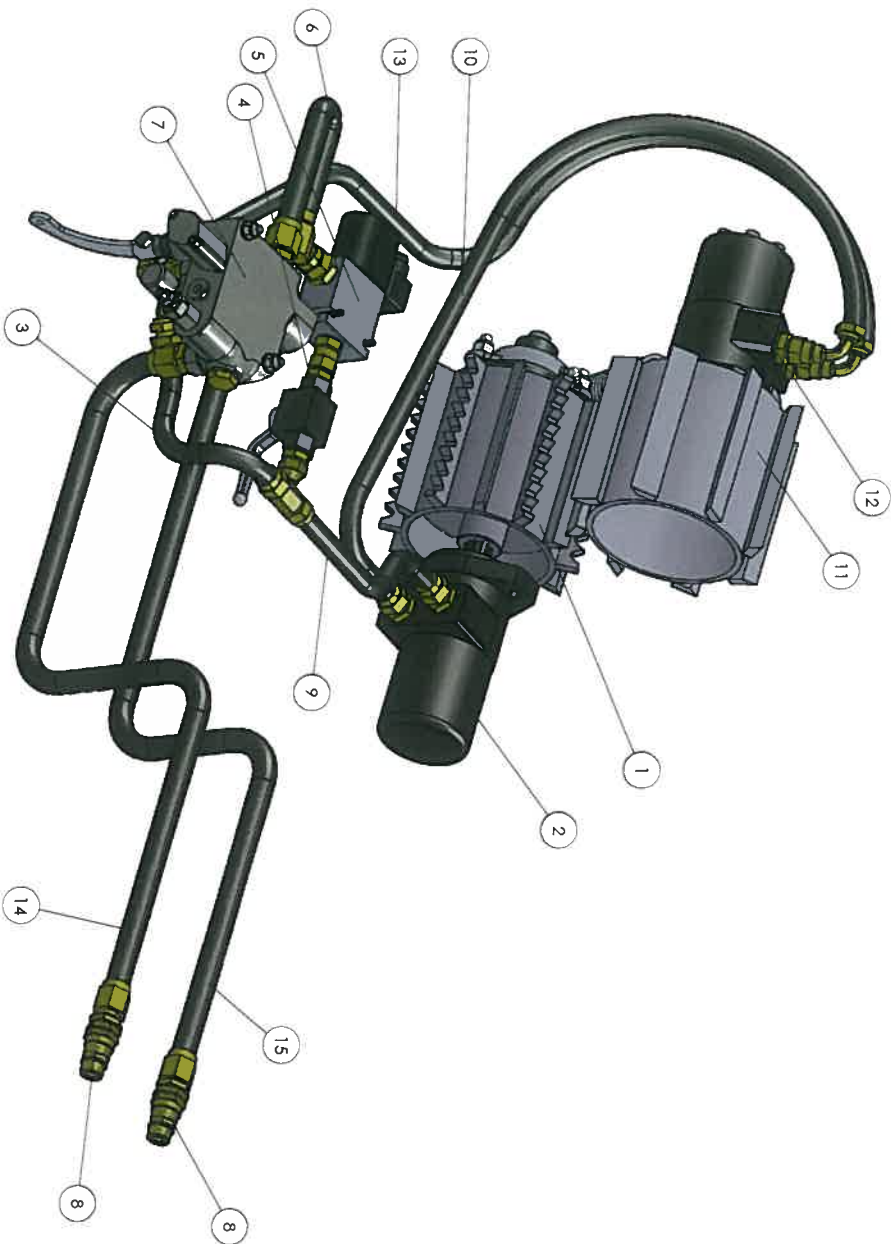
1401797-000014

PROJECT: **GreenMech**
 DRAWING NO: **91201-P**
 DATE: **2014**
 REV: **001**
 MATERIAL: **304**

GreenMech Ltd
 The Hydrostatic Division
 1401797-000014
 1401797-000014
 1401797-000014
 1401797-000014

HYDROSTATIC DRIVE

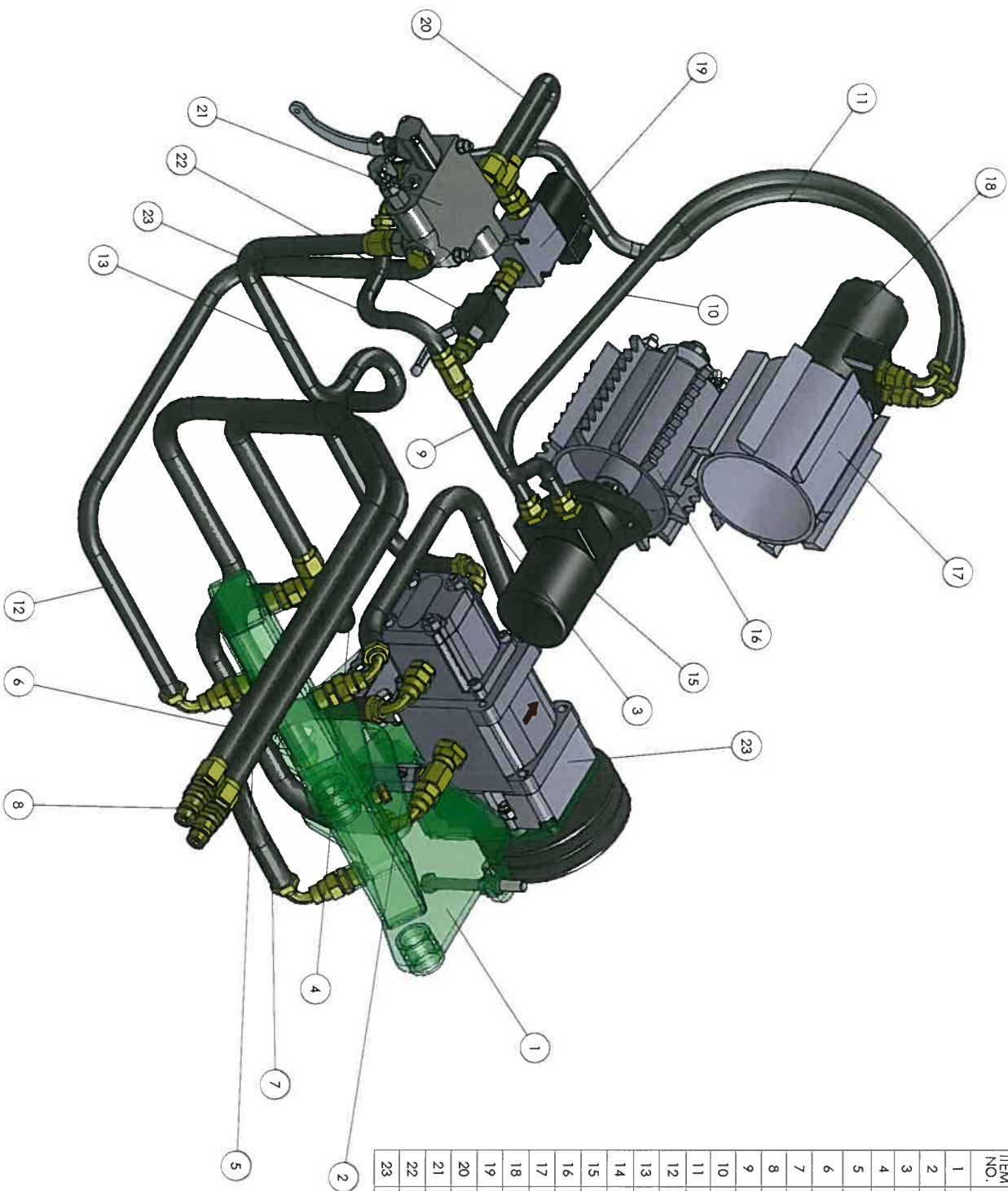
TOLERANCES:
 UNLESS OTHERWISE SPECIFIED:
 DIMENSIONS: ±0.05mm
 HOLE DIA: ±0.05mm
 HOLE DIA: ±0.10mm



ITEM NO.	PART NUMBER	DESCRIPTION	Def/quit	/QT
1	EC1500304	BOTTOM ROLLER	1	1
2	C200207	BOTTOM ROLLER MOTOR	1	1
3	P11	SOLENOID FLOW	1	1
4	HYD 2	SHUT OFF VALVE	1	1
5	C251808	SOLENOID VALVE	1	1
6	P10	SOLENOID RETURN	1	1
7	C251813	HYDRAULIC VALVE	1	1
8	ECTMP-6-84	HYD QR COUPLING	2	2
9	P13	BOTTOM ROLLER MOTOR TO VALVE	1	1
10	P12	MOTOR TO MOTOR	1	1
11	EC35-3-40	TOP ROLLER	1	1
12	EC150004	TOP ROLLER MOTOR	1	1
13	P9	TOP ROLLER MOTOR TO VALVE	1	1
14	P14	1/2" TRACTOR PIPE	1	1
15	P15	1/2" TRACTOR PIPE	1	1

REV. MODIFICATION DNI APPRO DATE

GreenMech inc
 The Manufacturing
 Corporation
 1401797-00044 WABAF
 1401797-00044 WABAF
 MATERIAL: **HYDRAULIC P-PING GEARBOX DRIVEN**
 TITLE: **HYDRAULIC P-PING GEARBOX DRIVEN**
 DIMENSIONS: **1401797-00044 WABAF**
 DATE: **22/01/11**
 DRAWN BY: **1401797-00044 WABAF**
 CHECKED BY: **1401797-00044 WABAF**
 SCALE: **1:1**

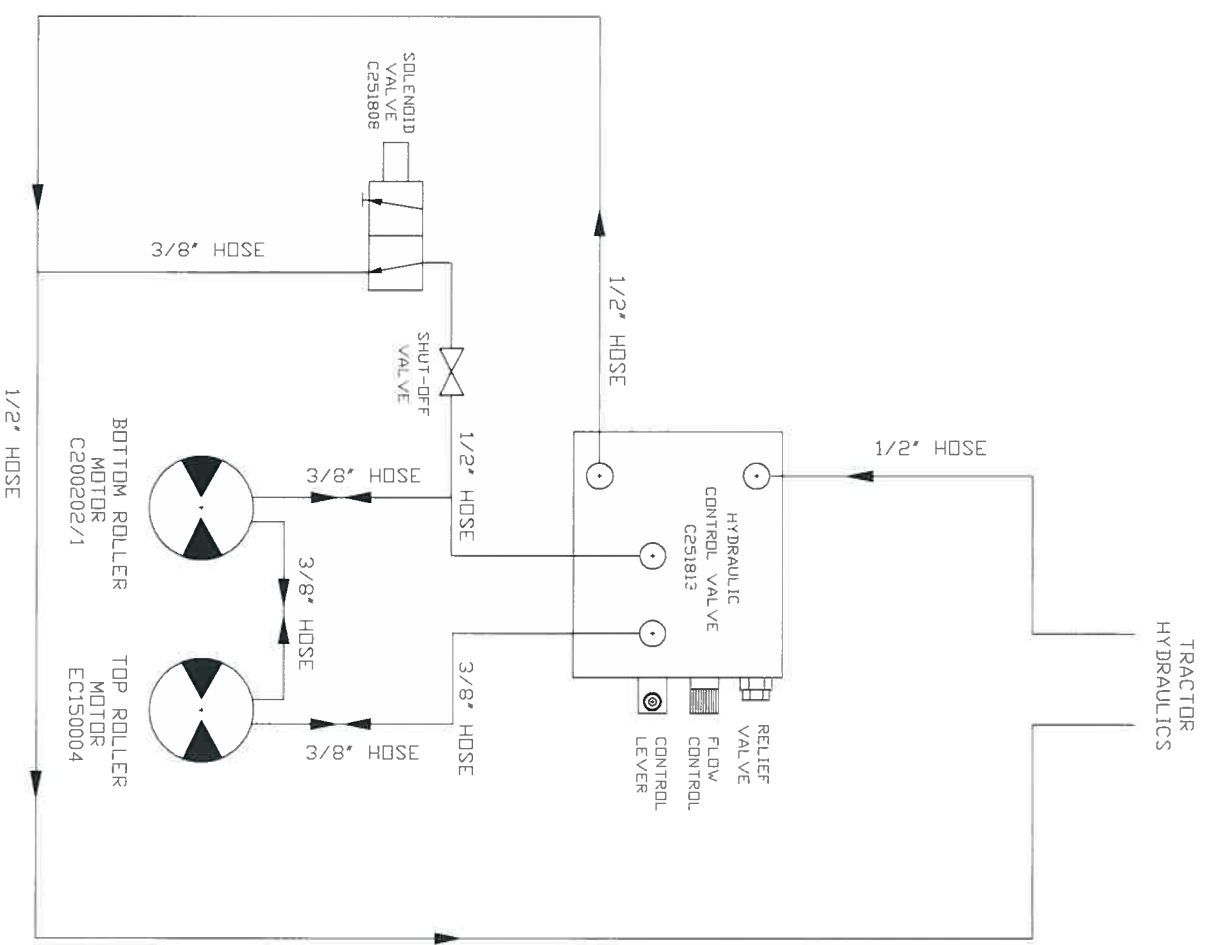


ITEM NO.	PART NUMBER	DESCRIPTION	Qty
1	ECTMP-6-61	MOTOR PLATE AND MIXING TANK	1
2	ECTMP-9-1004	NON RETURN VALVE	1
3	P2	1/2" PIPE MOTOR OUT	1
4	P4	1/2" PIPE	1
5	P5	1/2" PIPE TRACTOR RETURN	1
6	P6	1/2" PIPE TRACTOR FLOW	1
7	P1	1/2" PIPE PUMP IN	1
8	ECTMP-6-84	HYD QR COUPLING	2
9	P13	BOTTOM ROLLER MOTOR TO VALVE	1
10	P12	MOTOR TO MOTOR	1
11	P9	TOP ROLLER MOTOR TO VALVE	1
12	P7	VALVE RETURN	1
13	P8	PUMP TO VALVE	1
14	C200207	BOTTOM ROLLER MOTOR	1
15	EC1500304	BOTTOM ROLLER	1
16	EC35-3-40	TOP ROLLER	1
17	EC150004	TOP ROLLER MOTOR	1
18	C251808	SOLENOID VALVE	1
19	P10	SOLENOID RETURN	1
20	C251813	VALVE BLOCK	1
21	HYD 2	SHUT OFF VALVE	1
22	P11	SOLENOID FLOW	1
23	ECTMP-9-1001	MOTOR AND PUMP	1

REV. MODIFICATION DATE

GreenMech Inc.
 1341179-00044
 HYDRAULIC PIPING-HYDROSTATIC

FINISH: 1341179-00044
 MATERIAL: HYDROSTATIC UNIF
 TOLERANCES: 1341179-00044
 MACHINED PARTS: ±.025mm
 FABRICATED PARTS: ±.127mm



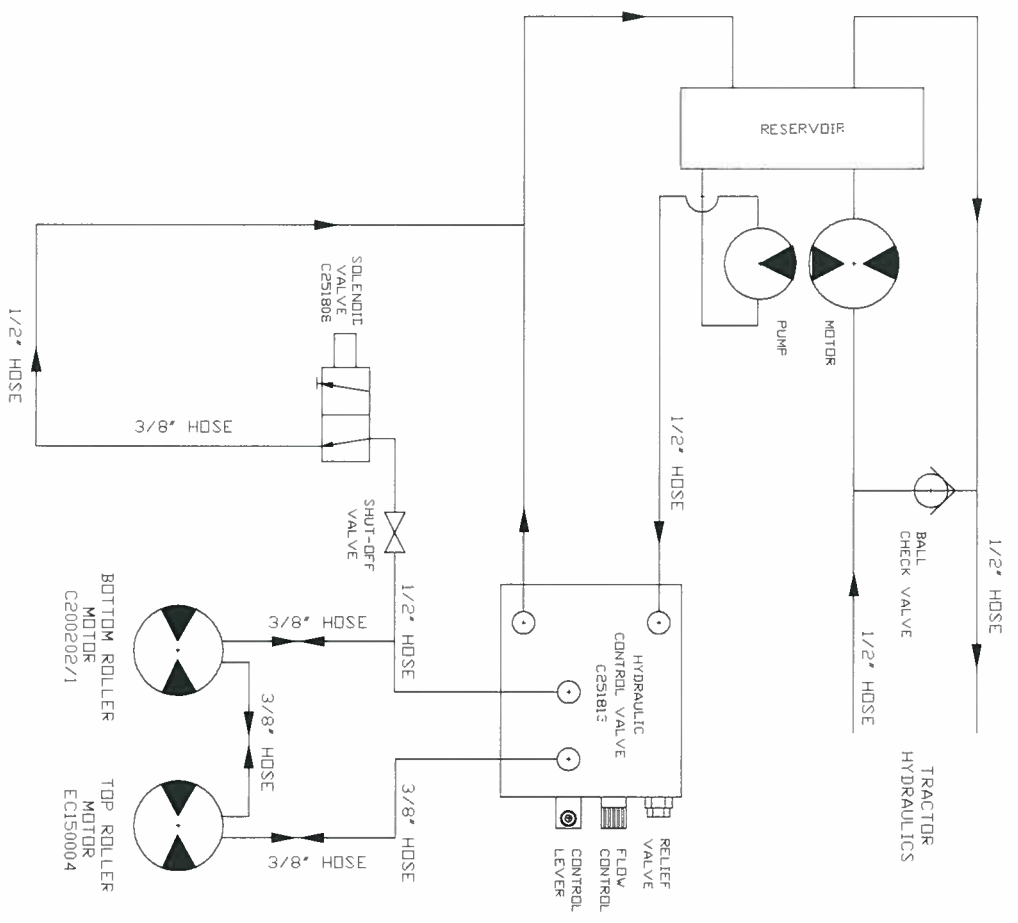
Issue:	Modifications	Date	Sig	Chkd												
<table border="1"> <tr> <td>Designed by</td> <td>Checked by</td> <td>Approved</td> <td>Filename</td> <td>Date</td> <td>Scale</td> </tr> <tr> <td>B.G.G</td> <td>B.G.G</td> <td>xxx</td> <td>xxx</td> <td>04/03/95</td> <td>1/1</td> </tr> </table>					Designed by	Checked by	Approved	Filename	Date	Scale	B.G.G	B.G.G	xxx	xxx	04/03/95	1/1
Designed by	Checked by	Approved	Filename	Date	Scale											
B.G.G	B.G.G	xxx	xxx	04/03/95	1/1											
<p>GreenMech The Mill Industrial Park, Kings Coughon Alicester, Warks B49 5QG Phone 01789 400044</p>																
ECTMP HYDRAULIC CIRCUIT																
ECTMP-7				Edition A	Sheet 1 OF 1											

DO NOT SCALE - IF IN DOUBT ASK

THIS DRAWING IS 1ST ANGLE PROJECTION



DIMENSIONS IN MILLIMETERS



Issue	Modifications	Date	Sig	Chkd

Designed by B.G.G.	Checked by B.G.G.	Approved xxx	Filename xxx	Date 25/5/11	Scale 1/1
GreenMech Ltd The Mill Industrial Park, Kings Coughton Alcester, Warks. B49 5DG Phone 01789 400044					
ECTMP HYDRAULIC CIRCUIT				Edition A	Sheet 1 OF 1
ECTMP-7 HYDROSTATIC					